

Data sheet

Keystone wall outlet AP 2 port pure white unequipped

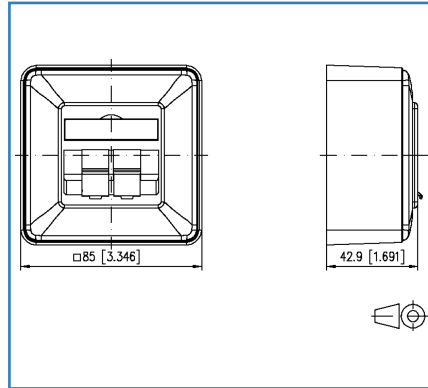
Page 1/5

P/N
130B20D20002KE
EAN 4250184157762
2019/06/19
Version: S

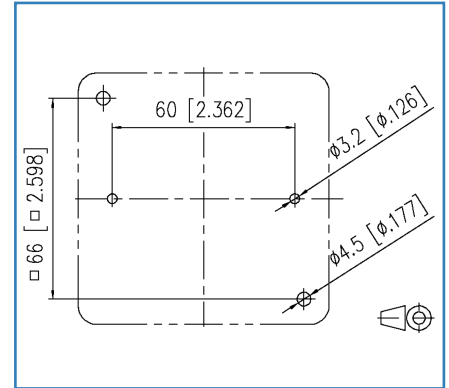
Illustrations



Dimensional drawing



Cut-out



See enlarged drawings at the end of document

Product specification

- surface-mounted termination unit 85 x 85 x 35 mm
- for individual modules with "Keystone" design (please note: E-DAT modul couplers 8(8) only fit with an appropriate patch cable)
- module plug direction 45° downwards
- strain relief on the module
- with label window for enclosed identification labels
- label sheet 209 x 294 mm see accessory
- integrated dust protection covers (also colored versions available)
- cover parts in pure white RAL 9010; structured surface with matt finish
- Variants: 1 port, 2 ports, 3 ports



Keystone wall outlet AP 2 port pure white unequipped

P/N
130B20D20002KE
EAN 4250184157762
2019/06/19
Version: S

Technical Data

General Data

Fields of application	Office
Design	wall outlet
Mounting style	surface mount
Color	Pure white
Dimensions	
Dimension	85 mm x 42.9 mm x 85 mm
Dimension	3.346 in. x 1.689 in. x 3.346 in.
Labeling option	label window with identification label
Marking option	by dust protection

Connections/interfaces

Number of ports interface 2	2
Number of ports interface 2 equipped	0
Module plug-in direction	45° downwards

Mechanical characteristics

strain relief	attached to module
---------------	--------------------

Materials and material properties

Material - Supporting frame	GD-Zn (zinc die-cast)
Material - Surface mount frame	ABS, impact resistant
Material - Label window	ABS, transparent
RoHS	compliant

Classifications

ETIM 5.0	EC001264
ETIM 6.0	EC001264
ETIM 7.0	EC001264

Packing details

Type of packaging	10 pc(s) / box
Packaging unit - Weight (gram)	1110 g
Packaging unit - Weight (pound)	2.45 lb
Packaging dimension	240 mm x 170 mm x 140 mm

Data sheet

Page 3/5

Keystone wall outlet AP 2 port pure white unequipped

P/N

130B20D20002KE

EAN 4250184157762

2019/06/19

Version: S

Technical Data**Packing details**

Packaging dimension 9.449 in. x 6.693 in. x 5.512 in.



Keystone wall outlet AP 2 port pure white unequipped

P/N

130B20D20002KE

EAN 4250184157762

2019/06/19

Version: S

Accessories

P/N	Designation
820394-0105-I	Dust protection covers for wall outlets yellow
820394-0106-I	Dust protection covers for wall outlets blue
820394-0107-I	Dust protection covers for wall outlets green
820394-0108-I	Dust protection covers for wall outlets red
899650-01	Label sheet for wall outlets

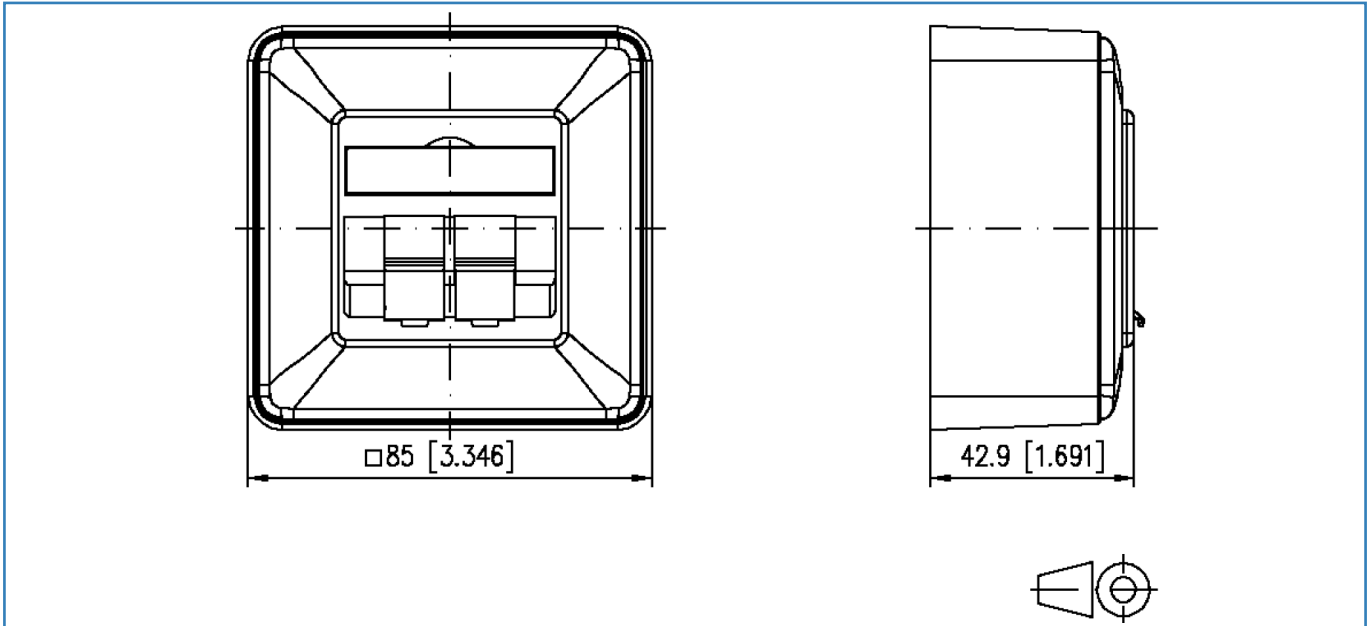


Keystone wall outlet AP 2 port pure white unequipped

P/N
130B20D20002KE
EAN 4250184157762
2019/06/19
Version: S

Illustrations

Dimensional drawing



Cut-out

