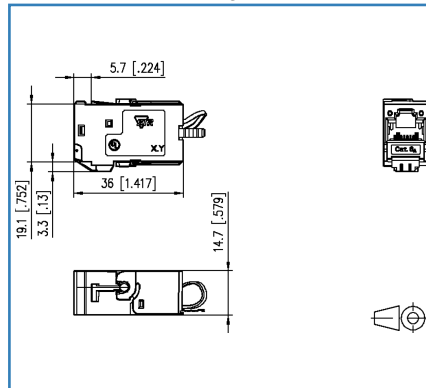


## Data sheet C6<sub>A</sub>modul 180° jack

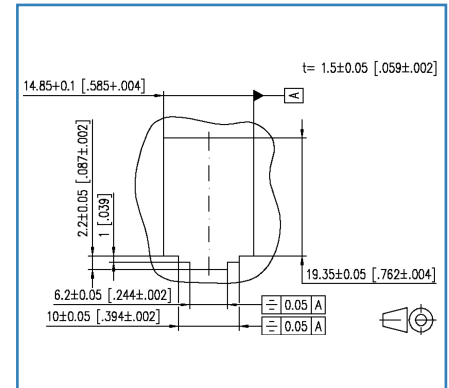
### Illustrations



Dimensional drawing



Cut-out



See enlarged drawings at the end of document



### Product specification

- modular Cat.6<sub>A</sub> termination unit RJ45
- mounting version: module, 180° cable feed
- solid, one-piece and reusable module housing refined with zinc die-casting
- mounting without special tools; strain relief directly snapped on to stuffer cap
- migration to 25G-systems without special tools
- easy to install connection of data lines AWG 26/1 to 22/1 (solid wire) and AWG 26/7 to 22/7 (stranded wire) to insulation displacement connectors (IDC)
- intelligent cable management in stuffer cap - also suitable for heavily twisted cables
- conductor assignment to T568A and T568B is directly printed on the stuffer cap
- certified to GHMT Cat.6<sub>A</sub> re-embedded PVP
- component testing for Cat.6<sub>A</sub> to ISO/IEC 11801 Ed.2.2:2011-06, DIN EN 50173-1:2011-09, TIA/EIA-568-C.2 (2009-08) and IEC 60603-7-51 Ed.1 (12/2008), certified to GHMT
- compliance with class E<sub>A</sub> up to 500 MHz to ISO/IEC 11801 Ed.2.2:2011-06, DIN EN 50173-1:2011-09
- tested: component up to 600 MHz, link up to 800 MHz
- suitable for 10 GBit Ethernet (IEEE 802.3an), Remote Powering (PoE, PoE plus, UPoE and 4PPoE) and HDBaseT

## Data sheet C6<sub>A</sub>modul 180° jack

Page 2/9

P/N  
130B11-E

EAN 4250184132646

2020/04/11

Version: AO

### Technical Data

#### General Data

Fields of application	Office
Design	Jack
Shielding	shielded
Transmission technology	Copper
Wiring	T568A, T568B
Color	metallike
Dimensions	
Dimension (L x W x H)	36 mm x 14.7 mm x 22.4 mm
Dimension (L x W x H)	1.417 in. x 0.579 in. x 0.882 in.
Modularity	yes
Field assembly ability	yes
Labeling option	on housing
Marking option	by latching clip

#### Transmission characteristics

Category (ISO)	6 <sub>A</sub>
Class (ISO/IEC)	E <sub>A</sub>
Category (TIA)	6A
Remote Powering	yes
PoE	IEEE 802.3af
PoE plus	IEEE 802.3at
UPoE	yes
4PPoE	IEEE 802.3bt
HDBaseT	yes
Transmission rate up to 10 GBit	IEEE 802.3an

#### Connections/interfaces

Connector technology interface 1	IDC-connection
Connector technology interface 2	RJ45-jack
Number of ports interface 2	1
Number of ports interface 2 equipped	1
Number of positions/contacts interface 1	8
Number of positions/contacts interface 2	8P/8C

### Technical Data

Connections/interfaces	
Termination data, solid wire (min. - max.)	
Conductor cross section, solid wire	AWG 26/1 - AWG 22/1
Conductor cross section, solid wire	0.128 mm <sup>2</sup> - 0.324 mm <sup>2</sup>
Conductor diameter, solid wire (bare copper)	0.409 mm - 0.643 mm
Conductor diameter, solid wire (bare copper)	0.016 in. - 0.025 in.
Termination data, stranded wire (min. - max.)	
Conductor cross section, stranded wire	AWG 26/7 - AWG 22/7
Conductor cross section, stranded wire	0.141 mm <sup>2</sup> - 0.355 mm <sup>2</sup>
Conductor diameter, stranded wire (bare copper)	0.483 mm - 0.762 mm
Conductor diameter, stranded wire (bare copper)	0.019 in. - 0.03 in.
Cable sheath diameter (min. - max.)	
Cable sheath diameter	5.5 mm - 10.00
Cable sheath diameter	0.217 in. - 0.394
Cable access/outlet	180°
Electrical characteristics	
Current carrying capacity	max. 1 A
Rated voltage	max. 50 V
Contact resistance	max. 20 mOhm
Through resistance	max. 200 mOhm
Insulation resistance	min. 500 MOhm
Dielectric strength conductor-conductor (secondary)	max. 1000 V DC
Mechanical data	
Cut-out	module
Mounting method	snap-in function
Insertion and withdrawal force	max. 30 N
Position/mounting of latch - standard installation position	top
strain relief	latching clip

### Technical Data

#### Materials and material properties

Material - Housing	GD-Zn (zinc die-cast)
Material - Contact	Spring steel
Material - Contact finish	Au (gold)
Material - Shield	GD-Zn (zinc die-cast)
Material - Stuffer cap	PA 6.6 UL94 V0
Material - Strain relief	PA 6.6 UL94 V0
Material - Finish	Ni (nickel)
RoHS	compliant
REACH - substance (SVHC)	none

#### Environmental conditions

Rapid change of temperature	-40°C / -40°F - +70°C / 158°F / 25 cycles t=30 min
Electromagnetic measurement	E2

#### Certifications

GHMT PVP



#### Approvals

CE	compliant	
UL listed (file no.)		DUXR.E178484

#### The product meets the following standards

Generic cabling systems	
General requirements	ANSI/TIA-568-C
Office buildings	ISO/IEC 11801 Ed.2.2: 2011-06   DIN EN 50173-2 ANSI/TIA-568-C
Living units	ISO/IEC 15018   DIN EN 50173-4 ANSI/TIA-570-B

### Technical Data

#### The product meets the following standards

Connectors for electronic equipment

Free and fixed connectors	DIN EN 60603-7-51:2011-01
---------------------------	---------------------------

Connectors for electronic equipment - Tests and measurements

Test schedule for connectors	DIN-EN 60512-99-001, DIN-EN 60512-99-002
------------------------------	------------------------------------------

Interference proof

Immunity for industrial environments	DIN EN 61000-6-2:2006-03
--------------------------------------	--------------------------

Emission proof

Electromagnetic emission for residential, commercial and light-indus	DIN EN 61000-6-3:2011-09
----------------------------------------------------------------------	--------------------------

#### Classifications

ETIM 5.0	EC001121
----------	----------

ETIM 6.0	EC001121
----------	----------

ETIM 7.0	EC001121
----------	----------

#### Packing details

Type of packaging	10 pc(s) / box
-------------------	----------------

Packaging unit - Weight (gram)	430 g
--------------------------------	-------

Packaging unit - Weight (pound)	0.95 lb
---------------------------------	---------

Packaging dimension (W x H x D)	258 mm x 164 mm x 51 mm
---------------------------------	-------------------------

Packaging dimension (W x H x D)	10.157 in. x 6.457 in. x 2.008 in.
---------------------------------	------------------------------------

## Accessories

P/N	Designation
820032-0102-I	Dust protection cover for C6 <sub>A</sub> modul pure white
820032-0103-I	Dust protection cover for C6 <sub>A</sub> modul light gray
820032-0105-I	Dust protection cover for C6 <sub>A</sub> modul yellow
820032-0106-I	Dust protection cover for C6 <sub>A</sub> modul blue
820032-0107-I	Dust protection cover for C6 <sub>A</sub> modul green
820032-0108-I	Dust protection cover for C6 <sub>A</sub> modul red
820032-0129-I	Dust protection cover for C6 <sub>A</sub> modul black



## Data sheet C6<sub>A</sub>modul 180° jack

Page 7/9

P/N  
130B11-E

EAN 4250184132646

2020/04/11

Version: AO

### Zubehör von

P/N	Designation
130861-0302-E	Modul surface mount housing 3 port pure white, unequipped
130861-0402-E	Modul surface mount housing 4 port pure white, unequipped
130861-0602-E	Modul surface mount housing 6 port pure white, unequipped
130861-0802-E	Modul surface mount housing 8 port pure white, unequipped
130861-1202-E	Modul surface mount housing 12 port pure white, unequipped
130861-1602-E	Modul surface mount housing 16 port pure white, unequipped
130861-2402-E	Modul surface mount housing 2x12 port pure white, unequipped
1309141001-E	Modul wall outlet UP 1 port pearl white unequipped
1309141002-E	Modul wall outlet UP 1 port pure white unequipped
1309141101-E	Modul wall outlet UPk 1 port pearl white unequipped
1309141102-E	Modul wall outlet UPk 1 port pure white unequipped
1309141200-E	Modul wall outlet UP0 3 port unequipped
1309150102-E	Modul wall outlet APFL 2 port pure white unequipped
1309151001-E	Modul wall outlet UP 2 port pearl white unequipped
1309151002-E	Modul wall outlet UP 2 port pure white unequipped
1309151101-E	Modul wall outlet UPk 2 port pearl white unequipped
1309151102-E	Modul wall outlet UPk 2 port pure white unequipped
1309151200-E	Modul wall outlet UP0 2 port unequipped
1309161001-E	Modul wall outlet UP 3 port pearl white unequipped
1309161002-E	Modul wall outlet UP 3 port pure white unequipped
1309161101-E	Modul wall outlet UPk 3 port pearl white unequipped
1309161102-E	Modul wall outlet UPk 3 port pure white unequipped
130920-00-E	Modul 19 inch module frame 1RU 24 Port light gray unequipped, shielded
130920-BK-E	Modul 19 inch module frame 1RU 24 port black unequipped, shielded
130921-00-E	Modul 19 inch module frame 1RU 24 port stainless steel unequipped
130924-00-E	Modul 19 inch module frame 1.5RU 48 port stainless steel unequipped
1309350301-E	Subway underfloor unit GB2 Modul 3 port unequipped pearl white
1309350601-E	Subway underfloor unit GB2 Modul 6 port unequipped pearl white
1309350901-E	Subway underfloor unit GB2 Modul 9 port unequipped pearl white
1309360301-E	Subway underfloor unit GB3 Modul 3 port unequipped pearl white

## Zubehör von

1309360601-E	Subway underfloor unit GB3 Modul 6 port unequipped pearl white
1309360901-E	Subway underfloor unit GB3 Modul 9 port unequipped pearl white
1309361201-E	Subway underfloor unit GB3 Modul 12 port unequipped pearl white
1309427103-E	Modul REGplus IP20 light gray unequipped
1309430003-E	E-DAT modul IP44 surface mounting housing unequipped
1309460003-I	Modul IP44SG surface mounting housing unequipped
1309461002-I	E-DAT modul IP44SG UP housing pure white unequipped
1309461003-I	E-DAT modul IP44SG UP housing gray unequipped
130B10D10002-E	Modul wall outlet AP 1 port pure white unequipped 43 mm
130B10D20002-E	Modul wall outlet AP 2 port pure white unequipped 43 mm
130B10D30002-E	Modul wall outlet AP 3 port pure white unequipped 43 mm
130B10E2E-E	Modul module frame 3RU, 7HP 6 port stainless steel unequipped





# P | Cabling

Data sheet

**C6<sub>A</sub>modul 180° jack**

Page 9/9

P/N

130B11-E

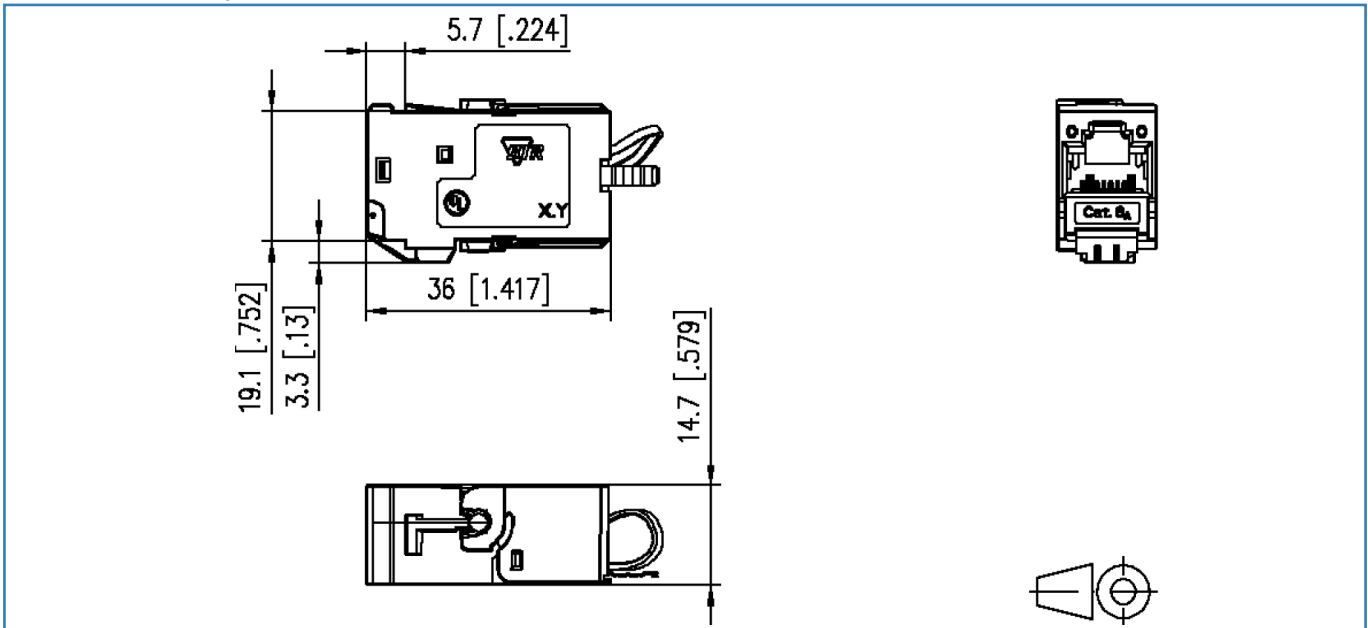
EAN 4250184132646

2020/04/11

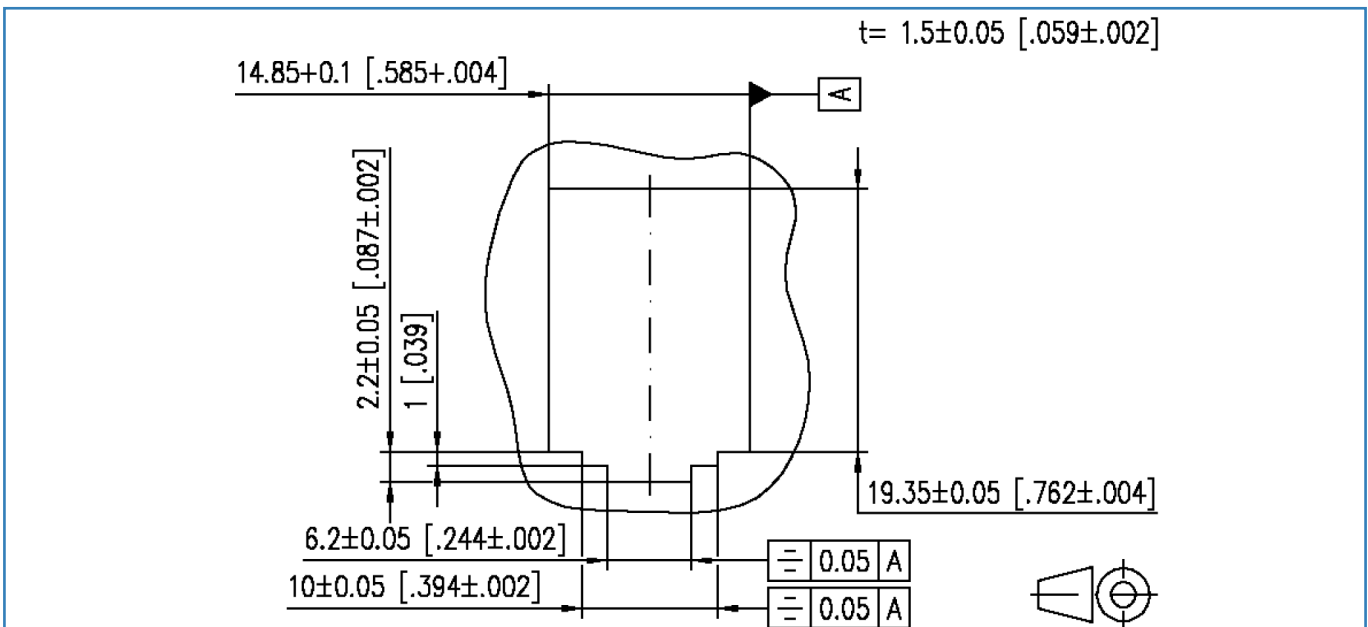
Version: AO

## Illustrations

Dimensional drawing



Cut-out



© 2020 METZ CONNECT - Technische Änderungen vorbehalten! Subject to modifications! Sous réserve de modifications techniques!

