

Data sheet

Modul wall outlet AP 1 port pure white unequipped 43 mm

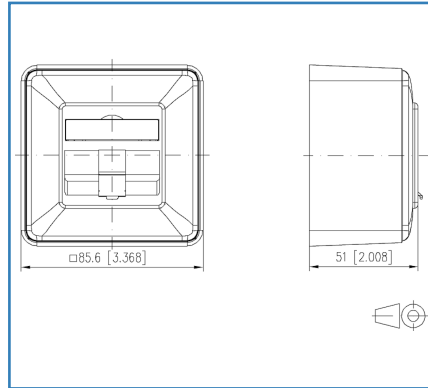
Page 1/5

P/N
130B10D10002-E
EAN 4250184141570
2019/06/19
Version: Q

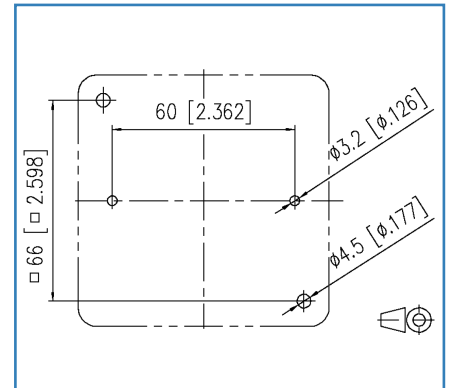
Illustrations



Dimensional drawing



Cut-out



See enlarged drawings at the end of document

Product specification

- surface-mounted termination unit 85 x 85 x 43 mm for all individual modules with modular design (E-DAT modul couplers 8 (8) only with suitable patch cable)
- module plug direction 45° downwards
- strain relief on module
- with label window for enclosed identification labels
- label sheet 209 x 294 mm see accessory
- integrated dust protection covers (also colored)
- cover parts in pure white RAL 9010, structured surface with matt finish
- variants: 1 port, 2 ports, 3 ports



Modul wall outlet AP 1 port pure white unequipped 43 mm

P/N
130B10D10002-E
EAN 4250184141570
2019/06/19
Version: Q

Technical Data

General Data

Fields of application	Office
Design	wall outlet
Mounting style	surface mount
Color	Pure white
Dimensions	
Dimension	51 mm x 85.6 mm x 85.6 mm
Dimension	2.008 in. x 3.37 in. x 3.37 in.
Modularity	yes
Labeling option	label window with identification label
Marking option	by dust protection

Connections/interfaces

Number of ports interface 2	1
Number of ports interface 2 equipped	0
Module plug-in direction	45° downwards

Mechanical characteristics

Cut-out	module
strain relief	attached to module

Materials and material properties

Material - Supporting frame	GD-Zn (zinc die-cast)
Material - Surface mount frame	ABS, impact resistant
Material - Label window	ABS, transparent
RoHS	compliant

Classifications

ETIM 5.0	EC001264
ETIM 6.0	EC001264
ETIM 7.0	EC001264



Modul wall outlet AP 1 port pure white unequipped 43 mm

P/N

130B10D10002-E**EAN 4250184141570**

2019/06/19

Version: Q

Technical Data**Packing details**

Type of packaging	10 pc(s) / box
Packaging unit - Weight (gram)	1268 g
Packaging unit - Weight (pound)	2.8 lb
Packaging dimension	340 mm x 266 mm x 126 mm
Packaging dimension	13.386 in. x 10.472 in. x 4.961 in.

Modul wall outlet AP 1 port pure white unequipped 43 mm

P/N

130B10D10002-E

EAN 4250184141570

2019/06/19

Version: Q

Accessories

P/N	Designation
130910-I	E-DAT modul Cat.6 _A 8(8) jack, T568A
130910-I-B1	E-DAT modul Cat.6 _A 8(8) jack, T568B
130910-Z	E-DAT modul Cat.6 _A 8(8) jack, T568A (12 pcs)
1309A0-I	E-DAT modul Coupler 8(8) 180° Cat.6
130B11-E	C6 _A modul 180° jack
820394-0105-I	Dust protection covers for wall outlets yellow
820394-0106-I	Dust protection covers for wall outlets blue
820394-0107-I	Dust protection covers for wall outlets green
820394-0108-I	Dust protection covers for wall outlets red
899650-01	Label sheet for wall outlets

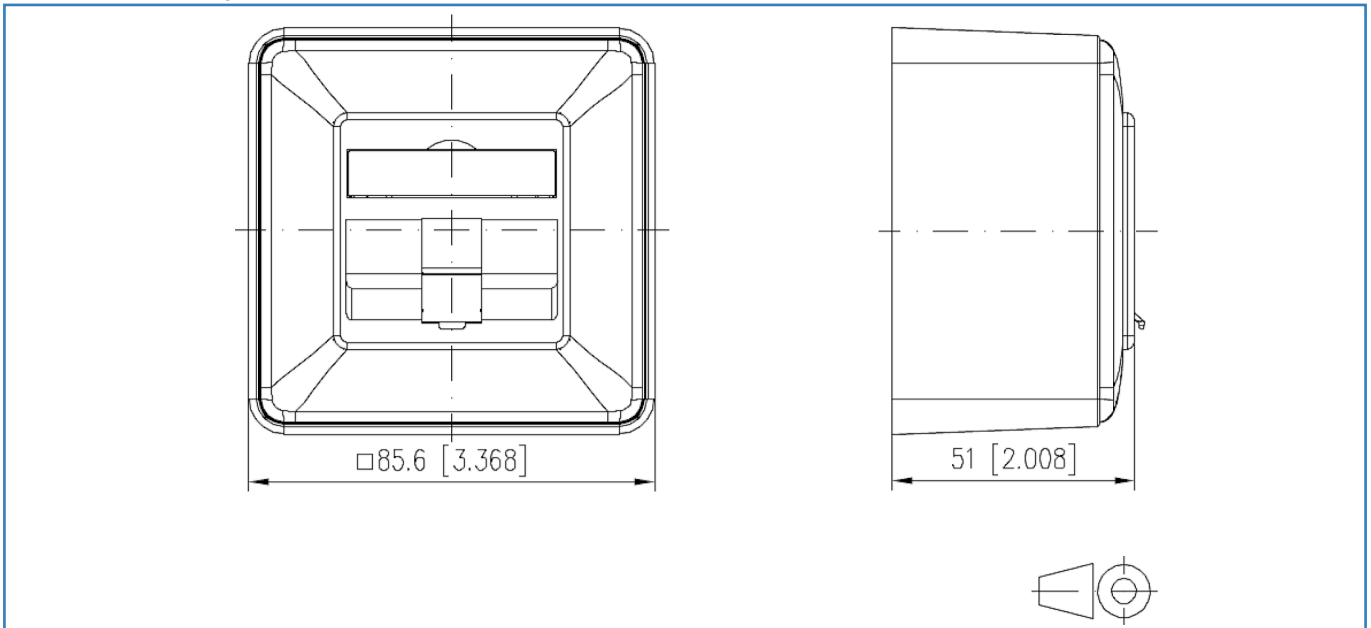


Modul wall outlet AP 1 port pure white unequipped 43 mm

P/N
130B10D10002-E
EAN 4250184141570
2019/06/19
Version: Q

Illustrations

Dimensional drawing



Cut-out

