

# Data sheet

## Modul wall outlet UP0 3 port unequipped

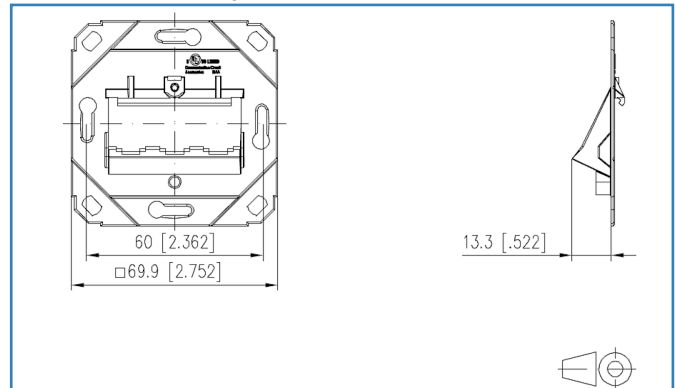
Page 1/5

P/N  
1309141200-E  
EAN 4250184105930  
2018/11/23  
Version: R

### Illustrations



Dimensional drawing



See enlarged drawings at the end of document

### Product specification

- termination unit for individual modules in Modul design
- module plug direction 45° downwards
- strain relief on module
- without cover parts
- compatible with "design" central units of switch lines (note: 3 port central units at present only available from JUNG)
- variants: 1/3-port, 2 ports

## Modul wall outlet UP0 3 port unequipped

P/N

1309141200-E

EAN 4250184105930

2018/11/23

Version: R

### Technical Data

#### General Data

Fields of application

Office

Design

wall outlet

Color

metallike

Dimensions

Dimension

13.3 mm x 69.9 mm x 69.9 mm

Dimension

0.524 in. x 2.752 in. x 2.752 in.

Modularity

yes

#### Connections/interfaces

Number of ports interface 2 equipped

0

Module plug-in direction

45° downwards

#### Mechanical characteristics

Cut-out

module

strain relief

attached to module

#### Materials and material properties

Material - Supporting frame

GD-Zn (zinc die-cast)

REACH - substance (SVHC)

none

#### Classifications

ETIM 5.0

EC001264

ETIM 6.0

EC001264

#### Packing details

Type of packaging

10 pc(s) / box

Packaging unit - Weight (gram)

412 g

Packaging unit - Weight (pound)

0.91 lb

Packaging dimension

235 mm x 165 mm x 135 mm

Packaging dimension

9.252 in. x 6.496 in. x 5.315 in.



## Modul wall outlet UP0 3 port unequipped

P/N

1309141200-E

EAN 4250184105930

2018/11/23

Version: R

### Accessories

P/N	Designation
130829-01-I	Surface mount frame 85 x 85 mm - Single, pearl white
130829-02-I	Surface mount frame 85 x 85 mm - Single, pure white
1308895010-I	T-Slot Mounting Bracket for Wall Outlets - Horizontal Mounting 50 mm, without separation cup
1308895011-I	T-Slot Mounting Bracket for Wall Outlets - Horizontal Mounting 50 mm, with separation cup
1308895020-I	DIN Rail Mounting Bracket for Wall Outlets - Horizontal Mounting 50 mm, without separation cup
1308895021-I	DIN Rail Mounting Bracket for Wall Outlets - Horizontal Mounting 50 mm, with separation cup
1308895040-I	T-Slot mounting bracket for wall outlets - Vertical Mounting 50 mm, without separation cup
1308895041-I	T-Slot mounting bracket for wall outlets - Vertical Mounting 50 mm, with separation cup
1308895220-I	DIN Rail Mounting Bracket for Wall Outlets - Horizontal Mounting 52 mm, without separation cup
1308895221-I	DIN Rail Mounting Bracket for Wall Outlets - Horizontal Mounting 52 mm, with separation cup
1308895510-I	T-Slot Mounting Bracket for Wall Outlets - Horizontal Mounting 55 mm, without separation cup
1308895511-I	T-Slot Mounting Bracket for Wall Outlets - Horizontal Mounting 55 mm, with separation cup
1308895520-I	DIN Rail Mounting Bracket for Wall Outlets - Horizontal Mounting 55 mm, without separation cup
1308895521-I	DIN Rail Mounting Bracket for Wall Outlets - Horizontal Mounting 55 mm, with separation cup
1308895540-I	T-Slot mounting bracket for wall outlets - Vertical Mounting 55 mm, without separation cup
1308895541-I	T-Slot mounting bracket for wall outlets - Vertical Mounting 55 mm, with separation cup
130889ADTK-I	Mounting bracket ADTK for OBO
130889ADTSA-I	Mounting bracket ADTSA for OBO
130889FKH-I	Mounting bracket FR for Kleinhuis
130889FNI-I	Mounting bracket FR for Niedax
130889FTE-I	Mounting bracket FR for Tehalit
130910-I	E-DAT modul Cat.6 <sub>A</sub> 8(8) jack, T568A
130910-I-B1	E-DAT modul Cat.6 <sub>A</sub> 8(8) jack, T568B
130910-Z	E-DAT modul Cat.6 <sub>A</sub> 8(8) jack, T568A (12 pcs)
1309A0-I	E-DAT modul Coupler 8(8) 180° Cat.6
130B11-E	C6 <sub>A</sub> modul 180° jack
820395-0101-I	Cover plate for E-DAT modul and E-DAT design (matt) wall outlets,



Data sheet

## Modul wall outlet UP0 3 port unequipped

Page 4/5

P/N

1309141200-E

EAN 4250184105930

2018/11/23

Version: R

### Accessories

820395-0102-I

Cover plate for E-DAT modul and E-DAT design (matt) wall outlets,  
pure white



Data sheet

Page 5/5

**Modul wall outlet UP0 3 port unequipped**

P/N

1309141200-E

EAN 4250184105930

2018/11/23

Version: R

**Illustrations**

Dimensional drawing

