

## Data sheet

### Modul wall outlet UP 1 port pure white unequipped

Page 1/5

P/N

1309141002-E

EAN 4250184105893

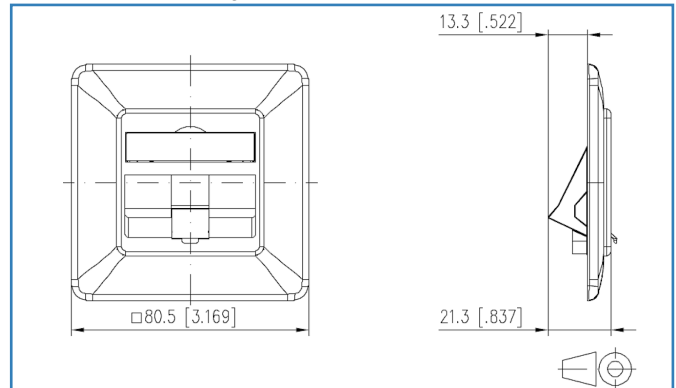
2019/04/24

Version: S

## Illustrations



Dimensional drawing



See enlarged drawings at the end of document

## Product specification

- flush-mounted termination unit for individual modules in Modul design
- module plug direction 45° downwards
- strain relief on module
- with label window for enclosed identification labels
- label sheet 209 x 294 mm see accessory
- integrated dust protection covers (also colored)
- cover parts in pure white RAL 9010 or pearl white RAL 1013; structured surface with matt finish
- compatible with "design" central units of switch lines (note: 3 port central units at present only available from JUNG)
- variants: 1 port, 2 ports, 3 ports - color variants: pure white and pearl white



## Modul wall outlet UP 1 port pure white unequipped

P/N

1309141002-E

EAN 4250184105893

2019/04/24

Version: S

### Technical Data

#### General Data

|                       |  |
|-----------------------|--|
| Fields of application | Office                                 |
| Design                | wall outlet                            |
| Mounting style        | flush mount                            |
| Color                 | Pure white                             |
| Dimensions            |  |
| Dimension             | 21.3 mm x 80.5 mm x 80.5 mm            |
| Dimension             | 0.839 in. x 3.169 in. x 3.169 in.      |
| Modularity            | yes                                    |
| Labeling option       | label window with identification label |
| Marking option        | by dust protection                     |

#### Connections/interfaces

|                                      |               |
|--------------------------------------|---------------|
| Number of ports interface 2          | 1             |
| Number of ports interface 2 equipped | 0             |
| Module plug-in direction             | 45° downwards |

#### Mechanical characteristics

|               |                    |
|---------------|--------------------|
| Cut-out       | module             |
| strain relief | attached to module |

#### Materials and material properties

|                             |                       |
|-----------------------------|-----------------------|
| Material - Supporting frame | GD-Zn (zinc die-cast) |
| Material - Label window     | ABS, transparent      |

#### Classifications

|          |          |
|----------|----------|
| ETIM 5.0 | EC001264 |
| ETIM 6.0 | EC001264 |

#### Packing details

|                                 |                                   |
|---------------------------------|-----------------------------------|
| Type of packaging               | 10 pc(s) / box                    |
| Packaging unit - Weight (gram)  | 520 g                             |
| Packaging unit - Weight (pound) | 1.15 lb                           |
| Packaging dimension             | 235 mm x 165 mm x 135 mm          |
| Packaging dimension             | 9.252 in. x 6.496 in. x 5.315 in. |

## Modul wall outlet UP 1 port pure white unequipped

P/N

1309141002-E

EAN 4250184105893

2019/04/24

Version: S

### Accessories

| P/N           | Designation  |
|---------------|--|
| 130829-02-I   | Surface mount frame 85 x 85 mm - Single, pure white  |
| 130829-4302-I | Surface mount frame 85 x 85 x 43 mm - single, pure white                                       |
| 1308895010-I  | T-Slot Mounting Bracket for Wall Outlets - Horizontal Mounting 50 mm, without separation cup   |
| 1308895011-I  | T-Slot Mounting Bracket for Wall Outlets - Horizontal Mounting 50 mm, with separation cup      |
| 1308895020-I  | DIN Rail Mounting Bracket for Wall Outlets - Horizontal Mounting 50 mm, without separation cup |
| 1308895021-I  | DIN Rail Mounting Bracket for Wall Outlets - Horizontal Mounting 50 mm, with separation cup    |
| 1308895040-I  | T-Slot mounting bracket for wall outlets - Vertical Mounting 50 mm, without separation cup     |
| 1308895041-I  | T-Slot mounting bracket for wall outlets - Vertical Mounting 50 mm, with separation cup        |
| 1308895220-I  | DIN Rail Mounting Bracket for Wall Outlets - Horizontal Mounting 52 mm, without separation cup |
| 1308895221-I  | DIN Rail Mounting Bracket for Wall Outlets - Horizontal Mounting 52 mm, with separation cup    |
| 1308895510-I  | T-Slot Mounting Bracket for Wall Outlets - Horizontal Mounting 55 mm, without separation cup   |
| 1308895511-I  | T-Slot Mounting Bracket for Wall Outlets - Horizontal Mounting 55 mm, with separation cup      |
| 1308895520-I  | DIN Rail Mounting Bracket for Wall Outlets - Horizontal Mounting 55 mm, without separation cup |
| 1308895521-I  | DIN Rail Mounting Bracket for Wall Outlets - Horizontal Mounting 55 mm, with separation cup    |
| 1308895540-I  | T-Slot mounting bracket for wall outlets - Vertical Mounting 55 mm, without separation cup     |
| 1308895541-I  | T-Slot mounting bracket for wall outlets - Vertical Mounting 55 mm, with separation cup        |
| 130889ADTK-I  | Mounting bracket ADTK for OBO  |
| 130889ADTSA-I | Mounting bracket ADTSA for OBO   |
| 130889FKH-I   | Mounting bracket FR for Kleinhuis  |
| 130889FNI-I   | Mounting bracket FR for Niedax   |
| 130889FTE-I   | Mounting bracket FR for Tehalit  |
| 130910-I      | E-DAT modul Cat.6 <sub>A</sub> 8(8) jack, T568A  |
| 130910-I-B1   | E-DAT modul Cat.6 <sub>A</sub> 8(8) jack, T568B  |
| 130910-Z      | E-DAT modul Cat.6 <sub>A</sub> 8(8) jack, T568A (12 pcs)                                       |
| 1309A0-I      | E-DAT modul Coupler 8(8) 180° Cat.6  |
| 130B11-E      | C6 <sub>A</sub> modul 180° jack  |
| 820394-0105-I | Dust protection covers for wall outlets yellow   |

## Modul wall outlet UP 1 port pure white unequipped

P/N

1309141002-E

EAN 4250184105893

2019/04/24

Version: S

### Accessories

|               |  |
|---------------|--|
| 820394-0106-I | Dust protection covers for wall outlets blue                                 |
| 820394-0107-I | Dust protection covers for wall outlets green                                |
| 820394-0108-I | Dust protection covers for wall outlets red                                  |
| 820395-0102-I | Cover plate for E-DAT modul and E-DAT design (matt) wall outlets, pure white |
| 899650-01     | Label sheet for wall outlets   |

© 2019 METZ CONNECT - Technische Änderungen vorbehalten! Subject to modifications! Sous réserve de modifications techniques!



**Modul wall outlet UP 1 port pure white unequipped**

P/N

1309141002-E

EAN 4250184105893

2019/04/24

Version: S

**Illustrations**

Dimensional drawing

