

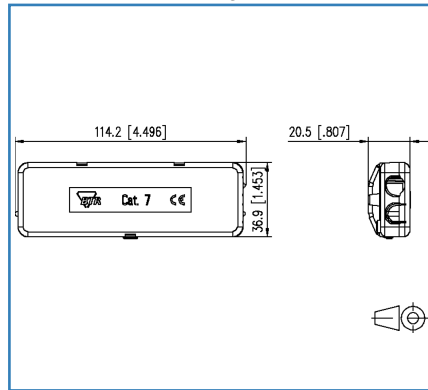
# Data sheet

## Cat.7 cable connector IP67

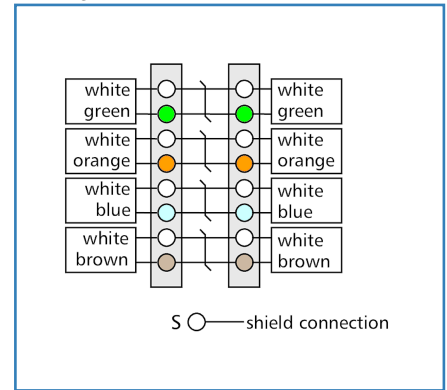
### Illustrations



Dimensional drawing



Wiring



See enlarged drawings at the end of document

### Product specification

- for connecting/extending data cables up to Cat.7<sub>A</sub>
- IP67 protection due to special shrink tube
- class E to ISO/IEC 11801 Ed.2.2:2011-06 is complied with in combination with Cat.6, Cat.6<sub>A</sub>, Cat.7 and Cat.7<sub>A</sub> cables and Cat.6 connectors
- connection of data lines AWG 26/1 to 22/1 (solid wire)
- cable feed from one or two sides
- cable sharing, i.e. splitting one 8-wire cable into two 4-wire cables (one cable tie required each on input and output side)
- fully shielded metal housing
- strain relief and separate captive 360° shield connection



## Cat.7 cable connector IP67

P/N

130863-01-E

EAN 4250184113195

2020/10/27

Version: AB

### Technical Data

#### General Data

Design	cable connector
Shielding	shielded
Transmission technology	Copper
Color	metallike
Dimensions	
Dimension (L x W x H)	20.5 mm x 114.2 mm x 36.9 mm
Dimension (L x W x H)	0.807 in. x 4.496 in. x 1.453 in.

#### Transmission characteristics

Category (ISO)	7
----------------	---

#### Connections/interfaces

Connector technology interface 1	LSA terminal block
Connector technology interface 2	LSA terminal block
Number of ports interface 1	1
Number of ports interface 2	1
Number of equipped ports interface 1	1
Number of ports interface 2 equipped	1
Termination data, solid wire (min. - max.)	
Conductor cross section, solid wire	AWG 26/1 - AWG 22/1
Conductor cross section, solid wire	0.128 mm <sup>2</sup> - 0.324 mm <sup>2</sup>
Cable sheath diameter (min. - max.)	
Cable sheath diameter	5.5 mm - 9.6
Cable sheath diameter	0.197 in. - 0.354
Reconnectibility	yes, if cross section is greater or the same

#### Electrical characteristics

Current carrying capacity	0,5 A
Rated voltage	60 V
Through resistance	max. 5 mOhm
Insulation resistance	min. 100 MOhm
Dielectric strength conductor-conductor (primarily)	750 V DC

### Technical Data

#### Mechanical data

Life - Number of mating cycles min. 100

#### Materials and material properties

Material - Housing GD-Zn (zinc die-cast)

#### Environmental conditions

Temperature (min. - max.)

Temperature - Storage °C -25 °C - 85 °C

Temperature - Storage °F -13 °F - 185 °F

Temperature - Operating °C -25 °C - 85 °C

Temperature - Operating °F -13 °F - 185 °F

Liquid ingress/immersion IPX7

Shock 490 m/s<sup>2</sup>

#### Classifications

ETIM 5.0 EC001121

ETIM 6.0 EC001121

ETIM 7.0 EC001121

#### Packing details

Type of packaging 1 pc(s) / box

Packaging unit - Weight (gram) 373 g

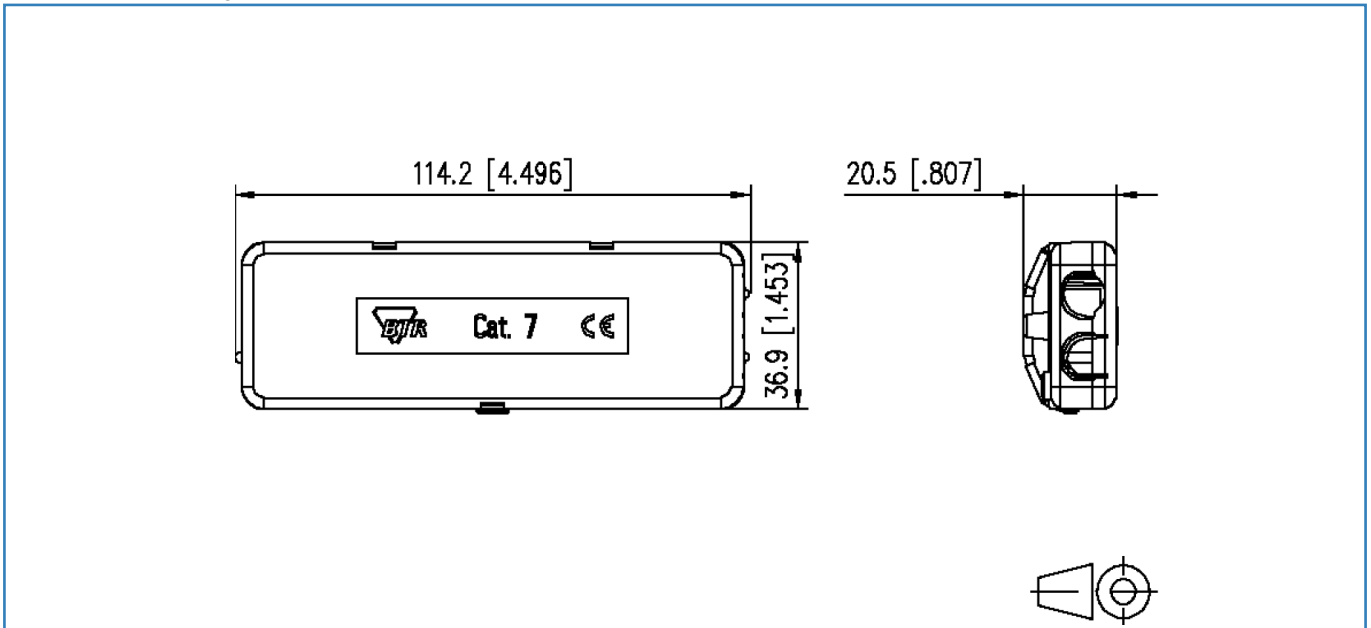
Packaging unit - Weight (pound) 0.82 lb

Packaging dimension 258 mm x 164 mm x 51 mm

Packaging dimension 10.157 in. x 6.457 in. x 2.008 in.

**Illustrations**

Dimensional drawing



Wiring

