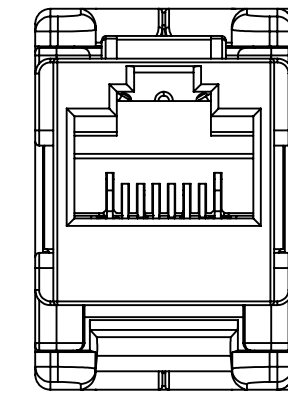
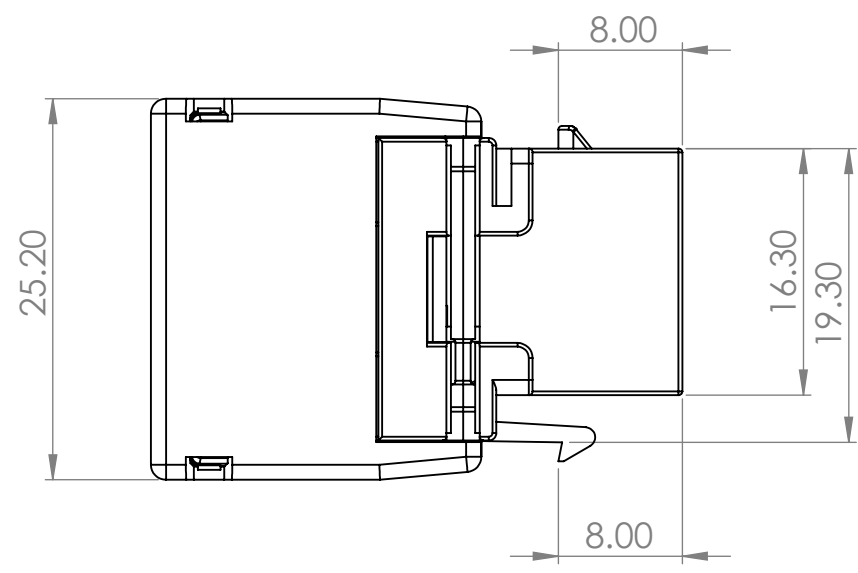
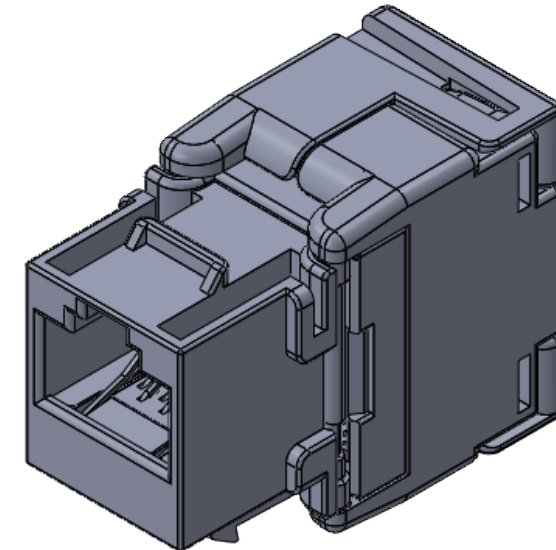
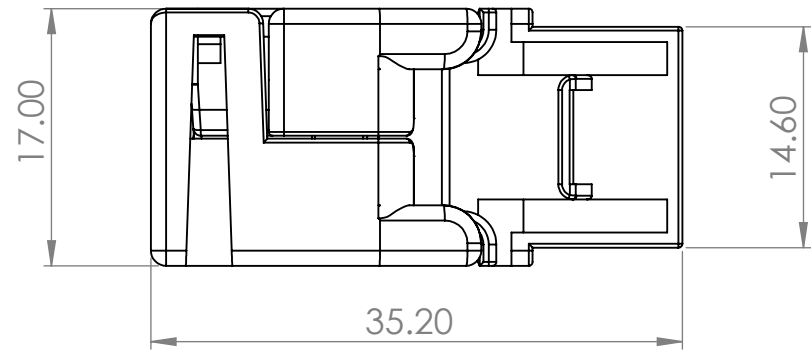

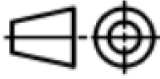


This drawing may not be used for manufacturing, copied duplicated or made available to third parties without our permission.



Cable diameter: 6.00 - 9.00 mm

-UNLESS OTHERWISE SPECIFIED DIMENSIONS ARE IN MILLIMETERS -GENERAL TOLERANCES ARE ACCORDING TO DIN ISO 2768-1m		SURFACE FINISH:		DEGREE AND SHARP EDGES BREAK		 Datwyler IT Infra AG	
	SCALE:	DATE	NAME		DESCRIPTION:		
	2:1	14.08.2024	A.Ja		KU-T 1/8 Toolless Cat.6		
		16.08.2024	F.Wa		DRAWINGNR.		
COMMENT:		APPROVED BY		19.08.2024		P.Ke	
		MATERIAL:		WEIGHT:		PART-Nr.	
						10000325707	
						A3	
						REV 00	
						SHEET 1 OF 1	

Article number	Product	Colour
41807000ZF	RJ45 module KU-T 1/8 toolless Cat.6 unshielded	white
41807100ZF	RJ45 module KU-T 1/8 toolless Cat.6 unshielded	black