

Data sheet

Panel feed through adapters M12 X-coded to RJ45 for electrical cabinets - straight

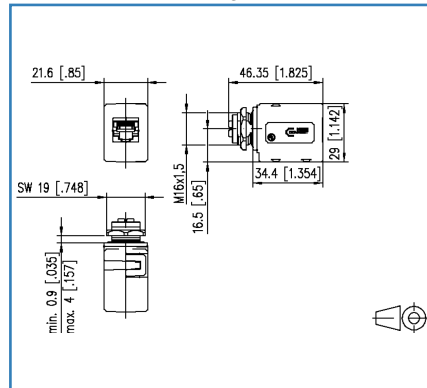
Page 1/7

P/N
MWN811A415
EAN 4250184157441
2020/03/24

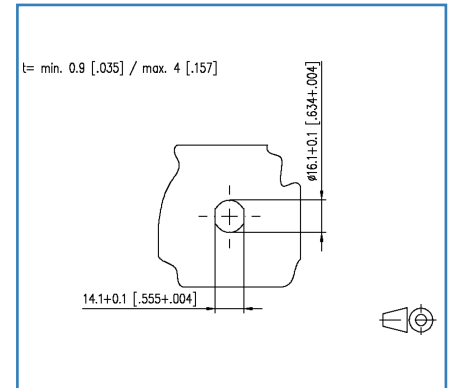
Illustrations



Dimensional drawing



Cut-out



See enlarged drawings at the end of document

Product specification

- panel feed-through adapter M12 to RJ45 for control cabinets
- M12 jack x-coded, IP67, per IEC/PS 61076-2-109
- RJ45 jack, IP20, per IEC 60603-7-51
- suitable for 10 GBit per IEEE802.3an
- Cat.6_A
- plug-in direction: straight
- solid refined zinc die-cast housing



Panel feed through adapters M12 X-coded to RJ45 for electrical cabinets - straight

P/N
MWN811A415
EAN 4250184157441
2020/03/24

Technical Data

General Data	
Design	Jack
Mounting style	back side
Shielding	shielded
Transmission technology	Copper
Color	metallike
Dimensions	
Dimension (L x W x H)	46.35 mm x 21.6 mm x 29 mm
Dimension (L x W x H)	1.825 in. x 0.85 in. x 1.142 in.
Labeling option	on housing
Transmission characteristics	
Category (ISO)	6 _A
Category (TIA)	6A
Transmission rate up to 10 GBit	IEEE 802.3an
Connections/interfaces	
Connector technology interface 1	RJ45-jack
Connector technology interface 2	M12-jack
Coding interface 2	X-coded
Number of ports interface 1	1
Number of ports interface 2	1
Number of equipped ports interface 1	1
Number of ports interface 2 equipped	1
Number of positions/contacts interface 1	8P/8C
Number of positions/contacts interface 2	8
Cable access/outlet	straight M12
Electrical characteristics	
Current carrying capacity	0.5 A
Rated voltage	50 V AC / 60 V DC
Insulation resistance	min. 100 MOhm

Panel feed through adapters M12 X-coded to RJ45 for electrical cabinets - straight

P/N
MWN811A415
EAN 4250184157441
2020/03/24

Technical Data

Materials and material properties	
Material - Housing	GD-Zn (zinc die-cast)
Material - Contact	CuZn (brass)
Material - Contact finish	Ni + Au (nickel-gold)
Material - Shield	CuSn (tin bronze)
Material - Finish	Ni (nickel)
RoHS	compliant
Environmental conditions	
Temperature (min. - max.)	
Temperature - Storage °C	-25 °C - 85 °C
Temperature - Storage °F	-13 °F - 185 °F
Temperature - Operating °C	-25 °C - 85 °C
Temperature - Operating °F	-13 °F - 185 °F
Particulate ingress interface 1	IP2X
Liquid ingress/immersion interface 1	IPX0
Particulate ingress interface 2	IP6X when plugged in
Liquid ingress/immersion interface 2	IPX7 when plugged in
Overvoltage category	II
Pollution degree	2
Electromagnetic measurement	E2
Approvals	
UL listed (file no.)	DUXR.E178484
The product meets the following standards	
Application-specific communications cabling systems	
Profinet	yes
Connectors for electronic equipment	
circular connector	DIN EN 61076-2-109:2010-08
Classifications	
ETIM 5.0	EC001134
ETIM 6.0	EC001134
ETIM 7.0	EC001134

Data sheet

Page 4/7

Panel feed through adapters M12 X-coded to RJ45 for electrical cabinets - straight

P/N
MWN811A415
EAN 4250184157441
2020/03/24

Technical Data

Packing details

Type of packaging	1 pc(s) / plastic bag
Packaging unit - Weight (gram)	60 g
Packaging unit - Weight (pound)	0.13 lb



Data sheet

Page 5/7

Panel feed through adapters M12 X-coded to RJ45 for electrical cabinets - straight

P/N

MWN811A415

EAN 4250184157441

2020/03/24

Accessories

P/N	Designation
700701	M12 screw plug for jacks IP54



**Panel feed through adapters M12 X-coded to RJ45
for electrical cabinets - straight**

P/N

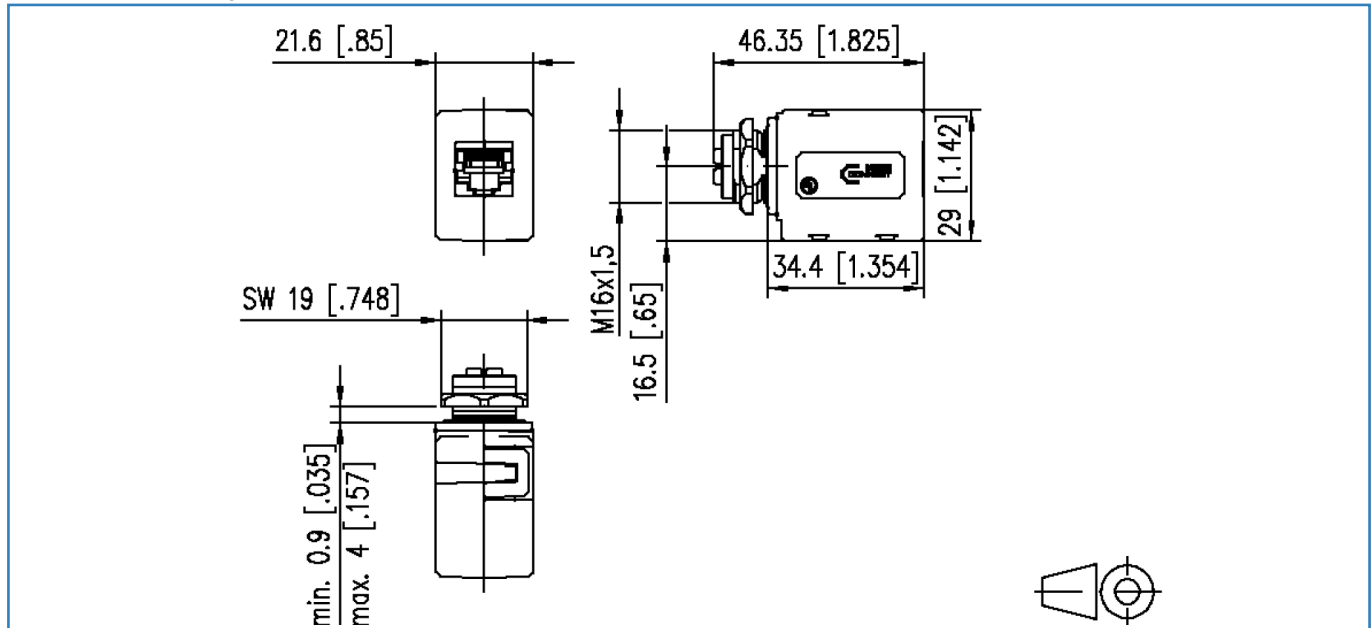
MWN811A415

EAN 4250184157441

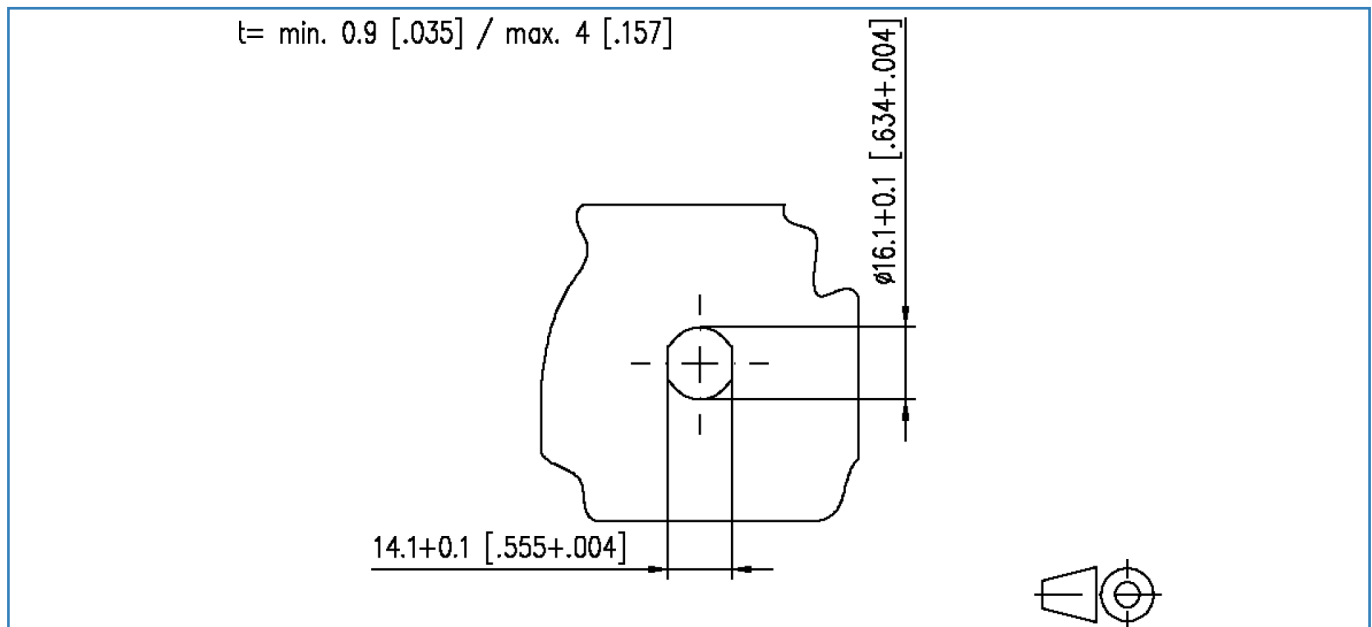
2020/03/24

Illustrations

Dimensional drawing



Cut-out

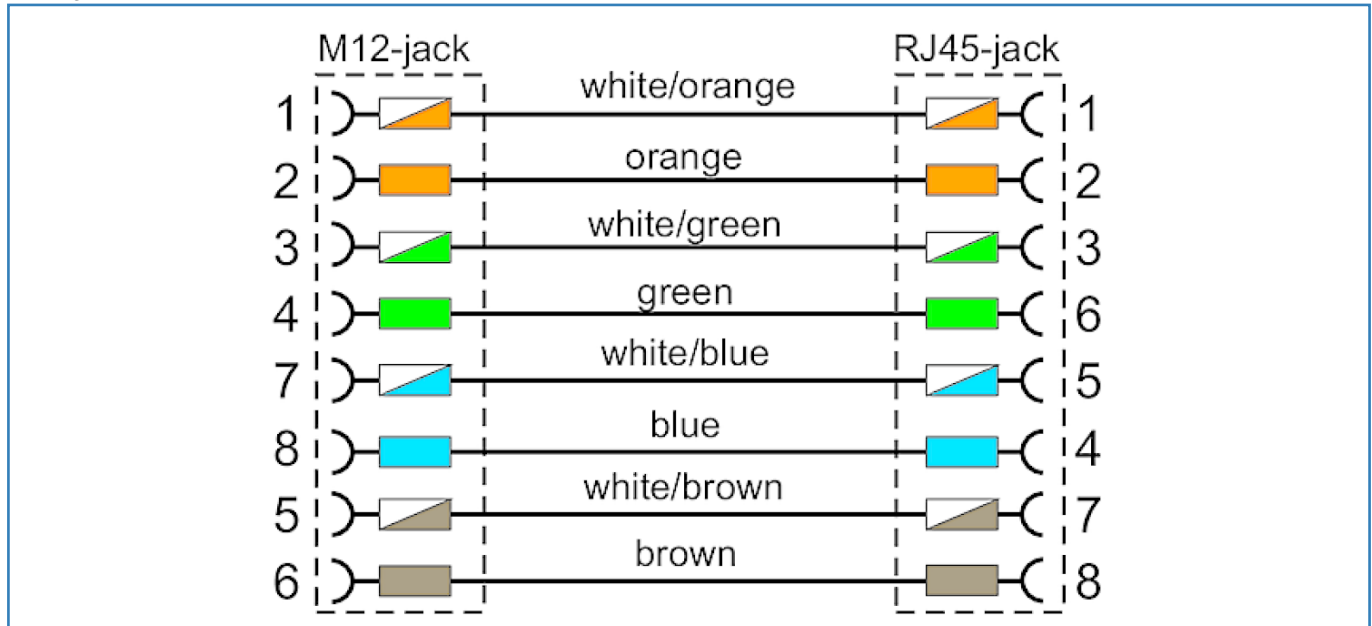


**Panel feed through adapters M12 X-coded to RJ45
for electrical cabinets - straight**

P/N
MWN811A415
EAN 4250184157441
2020/03/24

Illustrations

Wiring



Circuit diagram

