

Data sheet

M12 plug, D-coded, IP67
Cat. 5, field assembly, straight

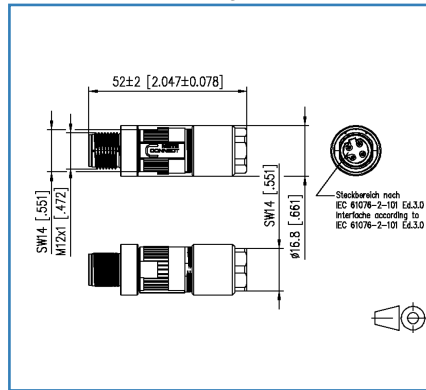
Page 1/6

P/N
MNF881A115
EAN 4250184190318
 2020/03/26
 Version: D

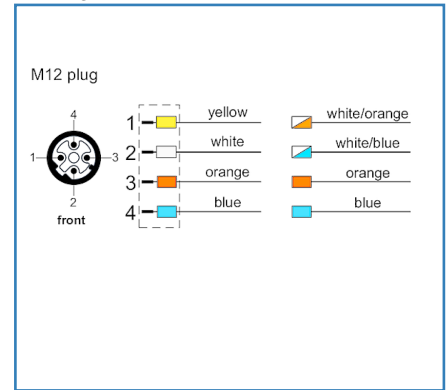
Illustrations



Dimensional drawing



Wiring



See enlarged drawings at the end of document

Product specification

- Field-attachable M12 plug, Cat.5, D-coded based on DIN EN 61076-2-101
- for a 4 wire cable connection
- 4-wire M12 plug for AWG 22 to be assembled in the field
- connection of AWG 26/7 - 22/7; AWG 24/1 - 22/1 possible
- solid copper wire diameter from 0.4 to 0.64 mm
- stranded copper wire diameter from 0.48 to 0.76 mm
- conductor diameter up to 1.6 mm
- cable jacket from 5.0 to 9.7 mm
- consists of only 2 parts
- easy assembly - connection without special tools
- zinc die-cast housing for industrial use

M12 plug, D-coded, IP67 Cat. 5, field assembly, straight

P/N
MNF881A115
EAN 4250184190318
 2020/03/26
 Version: D

Technical Data

General Data	
Design	plug
Shielding	shielded
Transmission technology	Copper
Dimensions	
Dimension (L x W x H)	52 mm x 16.8 mm x 16.8 mm
Dimension (L x W x H)	2.047 in. x 0.661 in. x 0.661 in.
Field assembly ability	yes
Labeling option	on housing

Transmission characteristics	
Category (ISO)	5
Category (TIA)	5

Connections/interfaces	
Connector technology interface 1	IDC-connection
Connector technology interface 2	M12-plug
Coding interface 2	D-coded
Number of ports interface 2	1
Number of ports interface 2 equipped	1
Number of positions/contacts interface 1	4
Number of positions/contacts interface 2	4
Termination data, solid wire (min. - max.)	
Conductor cross section, solid wire	AWG 24/1 - AWG 22/1
Conductor cross section, solid wire	0.205 mm ² - 0.324 mm ²
Conductor diameter, solid wire (bare copper)	0.511 mm - 0.643 mm
Conductor diameter, solid wire (bare copper)	0.02 in. - 0.025 in.
Termination data, stranded wire (min. - max.)	
Conductor cross section, stranded wire	AWG 26/7 - AWG 22/7
Conductor cross section, stranded wire	0.141 mm ² - 0.355 mm ²
Conductor diameter, stranded wire (bare copper)	0.483 mm - 0.762 mm
Conductor diameter, stranded wire (bare copper)	0.019 in. - 0.03 in.

Data sheet

Page 3/6

M12 plug, D-coded, IP67 Cat. 5, field assembly, straight

P/N
MNF881A115
EAN 4250184190318
2020/03/26
Version: D

Technical Data

Connections/interfaces

Core diameter (min. - max.)	
Core diameter (conductor with insulation)	0.85 mm - 1.6 mm
Core diameter (conductor with insulation)	0.033 in. - 0.063 in.
Cable sheath diameter (min. - max.)	
Cable sheath diameter	5 mm - 9.70
Cable sheath diameter	0.197 in. - 0.382
Cable access/outlet	straight M12

Electrical characteristics

Current carrying capacity	max. 1 A
Rated voltage	60 V
Insulation resistance	min. 100 MOhm
Dielectric strength conductor-conductor (secondary)	1400 V DC

Mechanical data

Mounting method	screwable
Life - Number of mating cycles	min. 100

Materials and material properties

Material - Housing	GD-Zn (zinc die-cast)
Material - Contact	CuZn (brass)
Material - Contact finish	Ni + Au (nickel-gold)
Material - Shield	CuSn (tin bronze)
Material - Shield finish	Sn (tin)
Material - Stuffer cap	PA UL94-V0
Material - Finish	Ni (nickel)
RoHS	compliant
REACH - substance (SVHC)	Lead / 7439-92-1

Environmental conditions

Temperature (min. - max.)	
Temperature - Storage °C	-40 °C - 85 °C
Temperature - Storage °F	-40 °F - 185 °F
Temperature - Operating °C	-40 °C - 85 °C
Temperature - Operating °F	-40 °F - 185 °F
Particulate ingress	IP6X when plugged in



Data sheet

Page 4/6

M12 plug, D-coded, IP67
Cat. 5, field assembly, straight

P/N
MNF881A115
EAN 4250184190318
 2020/03/26
 Version: D

Technical Data

Environmental conditions	
Liquid ingress/immersion	IPX7 when plugged in
Damp heat	25 °C / +40 °C / 93% RH // 5 cycles
Overvoltage category	III
Pollution degree	2
Electromagnetic measurement	E2
Shock	490 m/s ²

The product meets the following standards

Application-specific communications cabling systems	
Profinet	yes
Connectors for electronic equipment	
circular connector	DIN EN 61076-2-101

Classifications

ETIM 6.0	EC001121
ETIM 7.0	EC001121

Packing details

Type of packaging	10 pc(s) / box
Packaging dimension (W x H x D)	247 mm x 161 mm x 58 mm
Packaging dimension (W x H x D)	9.724 in. x 6.339 in. x 2.283 in.

Data sheet

M12 plug, D-coded, IP67

Cat. 5, field assembly, straight

Page 5/6

P/N

MNF881A115

EAN 4250184190318

2020/03/26

Version: D

Accessories

P/N	Designation
700669	M12 plug protection cap IP54

P | Cabling

Data sheet

M12 plug, D-coded, IP67

Cat. 5, field assembly, straight

Page 6/6

P/N

MNF881A115

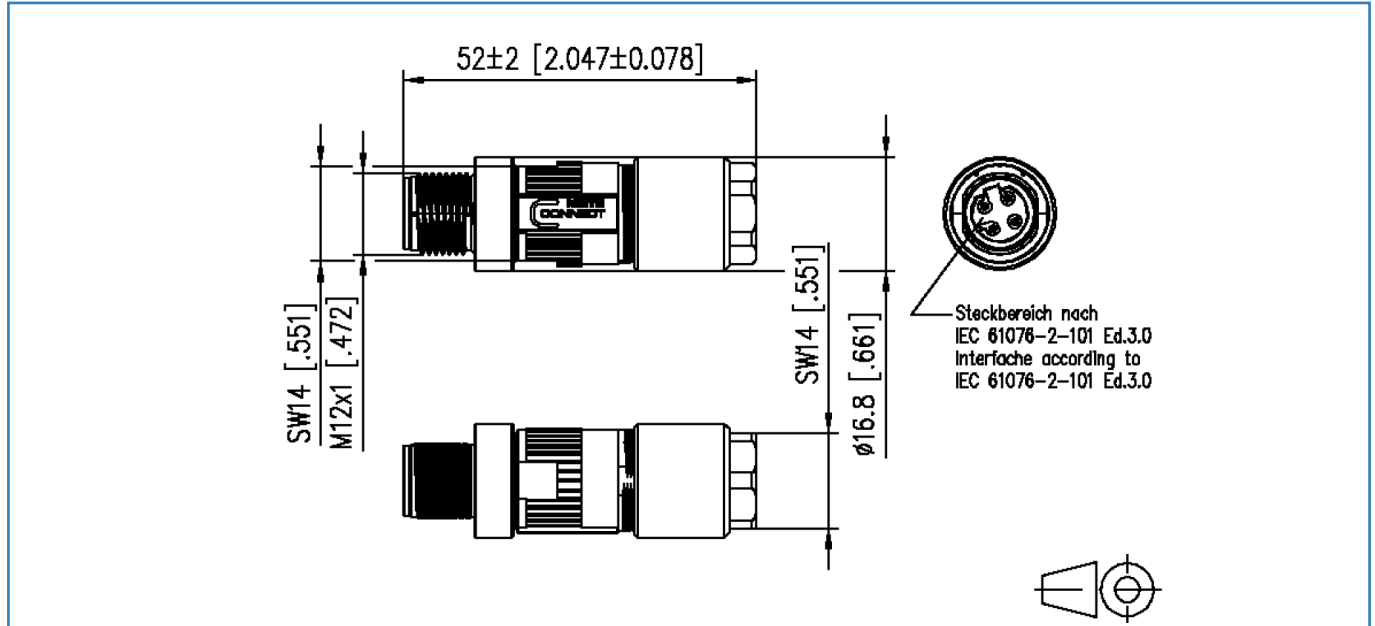
EAN 4250184190318

2020/03/26

Version: D

Illustrations

Dimensional drawing



Wiring

