

## Data sheet

### OpDAT E2000 APC adapter SM (ceramic, green)

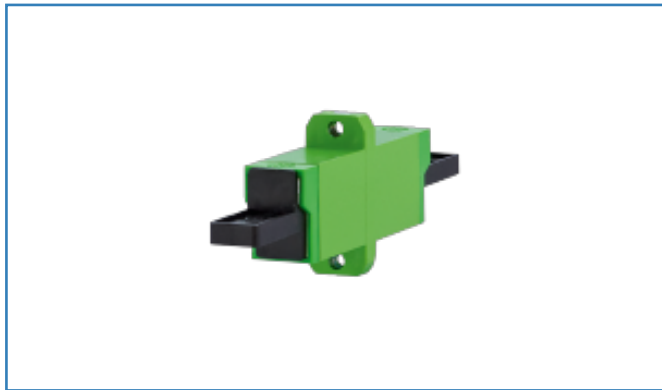
Page 1/4

P/N  
15090059-I

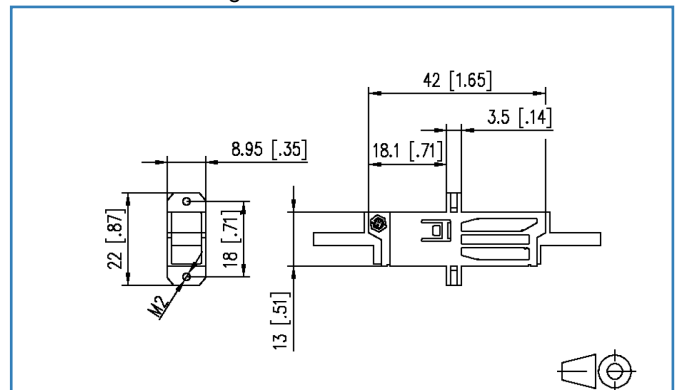
EAN 4250184149392

2017-21-12

## Illustrations



Dimensional drawing



See enlarged drawings at the end of document

## Product specification

- housing of the E2000 adapter made of plastic; screws included in the delivery
- slotted sleeve made of ceramics
- high material stability and surface quality and long service life
- service life: min. 1000 plug cycles
- variants: blue (SM), green (SM APC), beige-green (MM), beige-violet (MM), beige-aqua (MM), beige (MM)

### Technical Data

#### General Data

Fields of application	Structured building cabling, Fiber to the Desk, Data center
Design	Adapter
Transmission technology	Fiber optic
Color	green
Dimensions	
Dimension (L x W x H)	42.00 x 8.95 x 22.00 mm
Dimension (L x W x H)	1.654 x 0.352 x 0.866 in.
Mode type of the fiber	Single mode
Shape	APC (Angled Physical Contact)
Labeling option	on housing

#### Connections/interfaces

Connector technology interface 1	E2000
Connector technology interface 2	E2000
Number of ports interface 1	1
Number of ports interface 2	1
Number of equipped ports interface 1	1
Number of ports interface 2 equipped	1
Number of ports with dust protection interface 1	1
Number of ports with dust protection interface 2	1

#### Mechanical characteristics

Cut-out	SC, LC-D, E2000
Mounting method	screwable
Life - Number of mating cycles	min. 1000
Position/mounting of latch - standard installation position	top

#### Materials and material properties

Material - Housing	Plastics
Material - Sleeve	ceramic, slotted



### Technical Data

#### Approvals

RoHS	compliant
------	-----------

#### The product meets the following standards

Fibre optic connector interfaces	IEC 61754-15
----------------------------------	--------------

#### Classifications

ETIM 5.0	EC000752
----------	----------

ETIM 6.0	EC000752
----------	----------

#### Packing details

Type of packaging	1 pc(s) / plastic bag
-------------------	-----------------------

Packaging unit - Weight (gram)	14.00 g
--------------------------------	---------

Packaging unit - Weight (pound)	0.03 lb
---------------------------------	---------



**Illustrations**

Dimensional drawing

