

**Data sheet****OpDAT REGpro splice tray with crimp splice holder**

Page 1/4

P/N

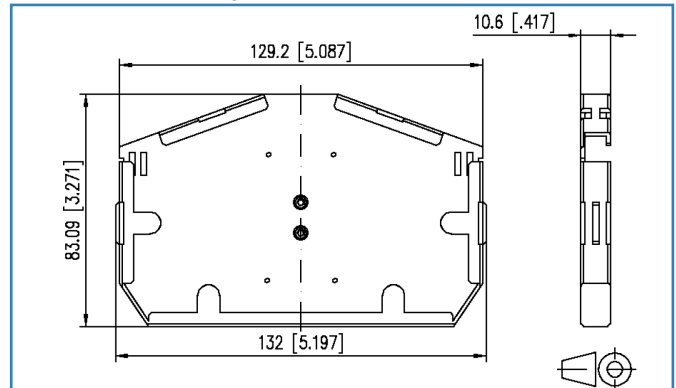
15024ASK-E

EAN 4250184130437

2017-16-08

**Illustrations**

Dimensional drawing



See enlarged drawings at the end of document

**Product specification**

- splice tray for OpDAT REGpro
- with crimp splice holder for up to 12 splices
- installation of two shrink splice holders on splice tray is possible



## OpDAT REGpro splice tray with crimp splice holder

P/N

15024ASK-E

EAN 4250184130437

2017-16-08

### Technical Data

#### General Data

Fields of application	Structured building cabling, Data center
Design	Splice tray
Color	light gray
Dimensions	
Dimension (L x W x H)	83.09 x 132.00 x 10.60 mm
Dimension (L x W x H)	3.271 x 5.197 x 0.417 in.

#### Connections/interfaces

Ground connection	grounding bolt with nut and lock washer
-------------------	---

#### Materials and material properties

Material - Housing	steel
--------------------	-------

#### Classifications

ETIM 5.0	EC001130
ETIM 6.0	EC000762

#### Packing details

Type of packaging	1 pc(s) / plastic bag
Packaging unit - Weight (gram)	128.00 g
Packaging unit - Weight (pound)	0.28 lb



## OpDAT REGpro splice tray with crimp splice holder

P/N

15024ASK-E

EAN 4250184130437

2017-16-08

### Accessories

P/N	Designation
15090301-I	OpDAT splice protection cover for 12 crimp splices
15090302-I	OpDAT splice protection cover for 6 shrink splices



**Illustrations**

Dimensional drawing

