

Data sheet

OpDAT REGpro housing w/o splice tray

Page 1/4

P/N

15024A10-E

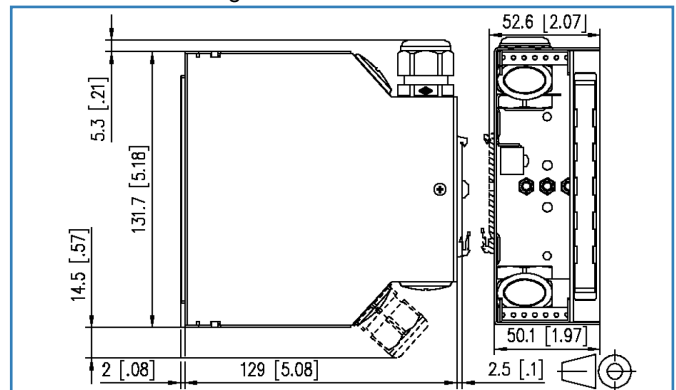
EAN 4250184130376

2017-30-06

Illustrations



Dimensional drawing



See enlarged drawings at the end of document

Product specification

- splice distributor for TH35 rail without front cover
- gray housing
- with or without splice tray with crimp splice holder for up to 12 splices
- installation of two shrink splice holders on splice tray is possible
- with fiber reservoir
- custom-labeled identification strips
- fastening on top hat rail by means of very sturdy top hat rail holder
- various mounting versions on rail
- for different front plates 3RU/7HP
- cable feed from top or bottom, straight or inclined, with M20 cable gland (up to 2 possible)
- width: 50 mm, height: 128 mm, depth: 132.5 mm (from rail, without adapters)
- feed of pre-terminated cables is possible
- one cable gland M20 with strain relief included in the delivery
- housing cover fastening by means of just one screw
- variants: with and without splice tray
- Please note: not all front plates 3RU/7HP available on the market can be used for OpDAT REGpro. If pre-terminated cables are used, we recommend the version without splice tray.



Data sheet OpDAT REGpro housing w/o splice tray

Page 2/4

P/N
15024A10-E
EAN 4250184130376

2017-30-06

Technical Data

General Data

Fields of application	Harsh environment
Design	patch panel
Color	gray
Dimensions	
Dimension (L x W x H)	131.50 x 131.70 x 52.60 mm
Dimension (L x W x H)	5.177 x 5.185 x 2.071 in.
Labeling option	identification label

Connections/interfaces

Cable access/outlet	from top or bottom, straight or inclined
Ground connection	grounding bolt with nut and lock washer

Mechanical characteristics

strain relief	PG gland
---------------	----------

Materials and material properties

Material - Housing	Frianyl
Material - Cover	Frianyl
Material - Strain relief	PA 6.6 UL94 V0
Material - Standard rail mounting support	Al (Aluminium)

Approvals

RoHS	compliant
------	-----------

Classifications

ETIM 5.0	EC001130
ETIM 6.0	EC001130

Packing details

Type of packaging	1 pc(s) / box
Packaging unit - Weight (gram)	605.00 g
Packaging unit - Weight (pound)	1.33 lb
Packaging dimension (W x H x D)	145.00 x 134.00 x 70.00 mm
Packaging dimension (W x H x D)	5.709 x 5.276 x 2.756 in.



Accessories

P/N	Designation
15090301-I	OpDAT splice protection cover for 12 crimp splices
15090302-I	OpDAT splice protection cover for 6 shrink splices
899789-01	Label sheet for E-DAT C6 and E-DAT design patch panels
15024A0112-E	OpDAT REGpro front cover 3RU, 7HP 12xST SM + MM (ceramic)
15024A3112-E	OpDAT REGpro front cover 3RU, 7HP 12xST MM (Ph-Br)
15024A5812-E	OpDAT REGpro front cover 3RU, 7HP 12xE2000 SM (ceramic)
15024A5912-E	OpDAT REGpro front cover 3RU, 7HP 12xE2000 SM APC (ceramic)
15024ASK-E	OpDAT REGpro splice tray with crimp splice holder
15024A0100-E	OpDAT REGpro front cover 3RU, 7HP for 12xST, unequipped
15024A0200-E	OpDAT REGpro front cover 3RU, 7HP for 12xE2000/12xSC-S, unequipped
15024A5200-E	OpDAT REGpro front cover 3RU, 7HP for 6xSC-D/6xLC-Q, unequipped
15024AC206-E	OpDAT REGpro front cover 3RU, 7HP 6xSC-D MM (Ph-Br)
150240M20Z-E	OpDAT REG strain relief M20
15024A5A00-E	OpDAT REGpro front cover 3RU, 7HP for 6xE2000 DC snap-in, unequipped
15024A5A06-E	OpDAT REGpro front cover 3RU, 7HP 6xE2000 DC MM (ceramic)
15024A5B06-E	OpDAT REGpro front cover 3RU, 7HP 6xE2000 DC SM (ceramic)
15024A5C06-E	OpDAT REGpro front cover 3RU, 7HP 6xE2000 DC SM APC (ceramic)
15024ASK-S	OpDAT REGpro splice tray with shrink splice holder
15024A7203-E	OpDAT REGpro front cover 3RU, 7HP 3xLC-Q MM (Ph-Br, beige)
15024A7903-E	OpDAT REGpro Front 3HE, 7TE 3xLC-Q MM (Keramik, erikaviolett)
130B10E2E-E	Modul module frame 3RU, 7HP 6 port stainless steel unequipped
130B20E2E-E	Keystone module frame 3RU, 7HP 6 port stainless steel unequipped
15024AD206-E	OpDAT REGpro front cover 3RU, 7HP 6xSC-D SM + MM (ceramic)



Illustrations

Dimensional drawing

