

## Data sheet

### Connection cable M12 jack straight - free line end 8-pole, X-coded 5.0 m

Page 1/6

P/N

142M2X20050

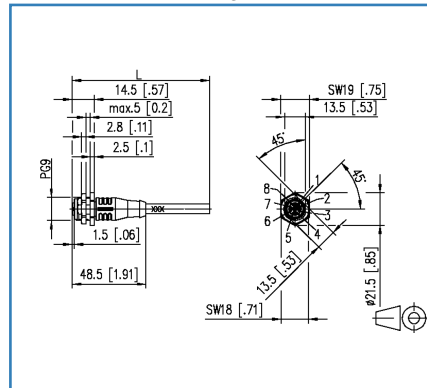
EAN 4250184199427

2018-01-03

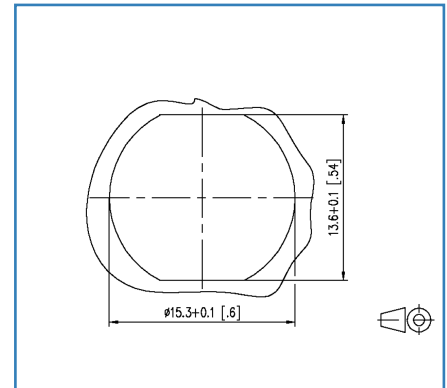
## Illustrations



Dimensional drawing



Cut-out



See enlarged drawings at the end of document

## Product specification

- shielded M12 Ethernet connection cable
- Cat.6<sub>A</sub>, x-coded, 8-pole
- side 1: M12-jack, straight
- side 2: free line end
- M12-jack over molded
- stranded wires 4x2xAWG26/7
- overall shield tinned copper braid
- green cable, PUR
- protective cap included in the delivery
- standard variants: 1.0 m, 2.0 m, 5.0 m, 10.0 m
- other cable lengths on request

## Data sheet

Page 2/6

### Connection cable M12 jack straight - free line end 8-pole, X-coded 5.0 m

P/N

142M2X20050

EAN 4250184199427

2018-01-03

## Technical Data

### General Data

|                                     |  |
|-------------------------------------|--|
| Fields of application               | Industrial Ethernet  |
| Design                              | Ethernet-Connection cable  |
| Shielding                           | shielded   |
| Transmission technology             | Copper   |
| Cable Type                          | S/FTP  |
| Number of twisting elements         | 4  |
| Twisting element                    | Pair   |
| Color coding fiber/ wire(s)         | white/orange, orange, white/green, green, white/brown, brown, white/blue, blue |
| Color                               | green  |
| Dimensions                          |  |
| Dimension - Interface 1 (L x W x H) | 48.50 x 18.00 x 21.50 mm   |
| Dimension - Interface 1 (L x W x H) | 1.909 x 0.709 x 0.846 in.  |
| Cable length (m)                    | 5.00 m   |
| Labeling option                     | identification label carrier   |

### Transmission characteristics

|                |                |
|----------------|----------------|
| Category (ISO) | 6 <sub>A</sub> |
|----------------|----------------|

### Connections/interfaces

|   |                       |
|---|-----------------------|
| Connector technology interface 1                | M12-jack              |
| Coding interface 1                              | X-coded               |
| Number of positions/contacts interface 1        | 8                     |
| Termination data, stranded wire (min. - max.)   |                       |
| Conductor cross section, stranded wire          | AWG 26/7              |
| Conductor cross section, stranded wire          | 0.141 mm <sup>2</sup> |
| Conductor diameter, stranded wire (bare copper) | 0.483 mm              |
| Conductor diameter, stranded wire (bare copper) | 0.019 in.             |
| Cable sheath diameter (min. - max.)             |                       |
| Cable sheath diameter                           | 6.40 mm               |
| Cable sheath diameter                           | 0.236 in.             |



Data sheet

Page 3/6

**Connection cable M12 jack straight - free line end  
8-pole, X-coded 5.0 m**

P/N

142M2X20050

EAN 4250184199427

2018-01-03

**Technical Data**

**Electrical characteristics**

|                           |               |
|---------------------------|---------------|
| Current carrying capacity | 0.5 A         |
| Insulation resistance     | min. 100 MOhm |

**Mechanical characteristics**

|                                  |          |
|----------------------------------|----------|
| Maximum operating bending radius | 64 mm    |
| Maximum operating bending radius | 2.52 in. |
| Maximum installation load        | 32 mm    |
| Maximum installation load        | 1.26 in. |
| Shielding braid coverage         | 70 %     |

**Materials and material properties**

|   |                   |
|---|-------------------|
| Material - Conductor                    | Cu (copper)       |
| Material - Conductor Insulation         | Polyethylen       |
| Material - Cable jacket                 | PUR               |
| Material - Body interface 1             | Plastics          |
| Material - Contact interface 1          | CuZn (brass)      |
| Material - Contact finish interface 1   | Au (gold)         |
| Material - Contact carriers interface 1 | Plastics          |
| Material - Union nut interface 1        | CuZn (brass)      |
| Material - Union nut finish interface 1 | Ni (nickel)       |
| Material - Pair shield                  | plastic film      |
| Material - Pair shield finish           | Al (Aluminium)    |
| Material - Main shield                  | Cu (copper) braid |
| Material - Main shield finish           | Sn (tin)          |
| Flame retardancy                        | yes               |
| Halogen free                            | yes               |
| Oil resistance                          | yes               |
| UV-resistance                           | yes               |

**Environmental conditions**

|                                      |                      |
|--------------------------------------|----------------------|
| Temperature (min. - max.)            |                      |
| Temperature - Operating °C           | -30 - 90 °C          |
| Temperature - Operating °F           | -22 - 194 °F         |
| Particulate ingress interface 1      | IP6X when plugged in |
| Liquid ingress/immersion interface 1 | IPX7 when plugged in |



Data sheet

Page 4/6

## Connection cable M12 jack straight - free line end 8-pole, X-coded 5.0 m

P/N

142M2X20050

EAN 4250184199427

2018-01-03

### Technical Data

#### Environmental conditions

Pollution degree interface 1 3

#### Approvals

RoHS compliant

#### The product meets the following standards

Connectors for electronic equipment

Free and fixed connectors IEC 60603-7-51

circular connector DIN EN 61076-2-109

Multi-element metallic cables used in analogue and digital communication and control DIN EN 50288-4-2

Test for vertical flame propagation for a single insulated wire or cable DIN EN 60332-1-2

Measurement of smoke density of cables burning IEC 61034

#### Classifications

ETIM 5.0 EC002599

ETIM 6.0 EC002599

#### Packing details

Type of packaging 1 pc(s) / plastic bag



Data sheet

Page 5/6

## Connection cable M12 jack straight - free line end 8-pole, X-coded 5.0 m

P/N

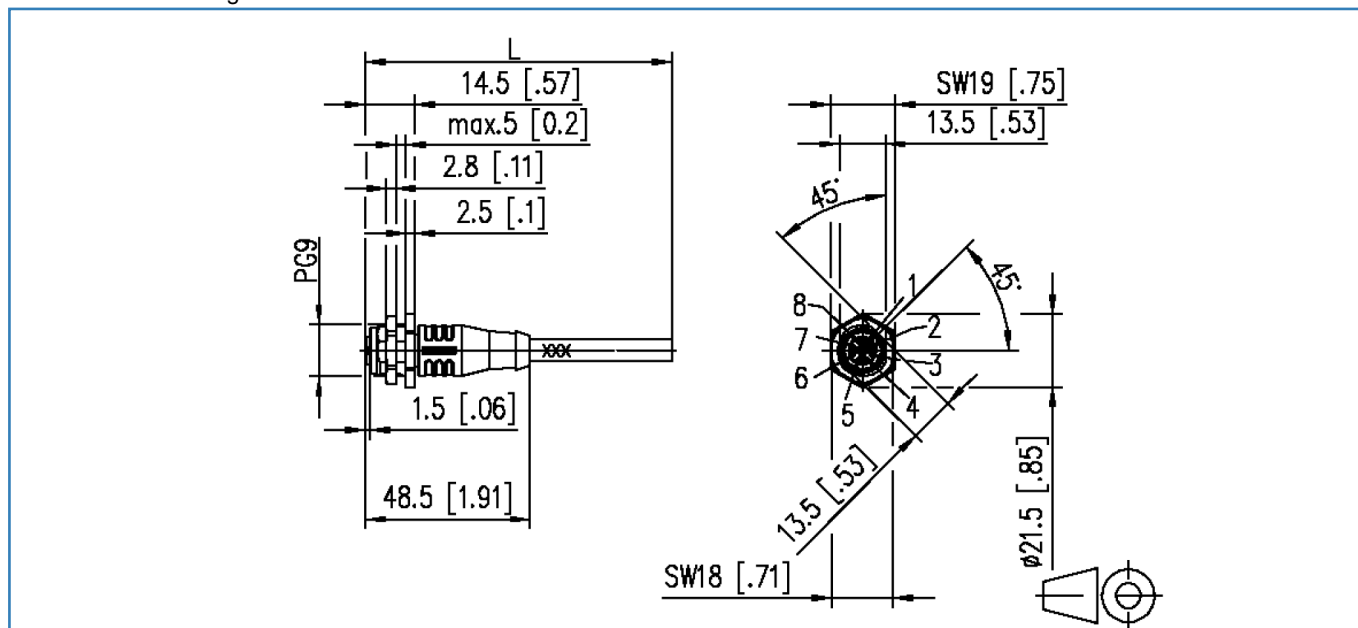
142M2X20050

EAN 4250184199427

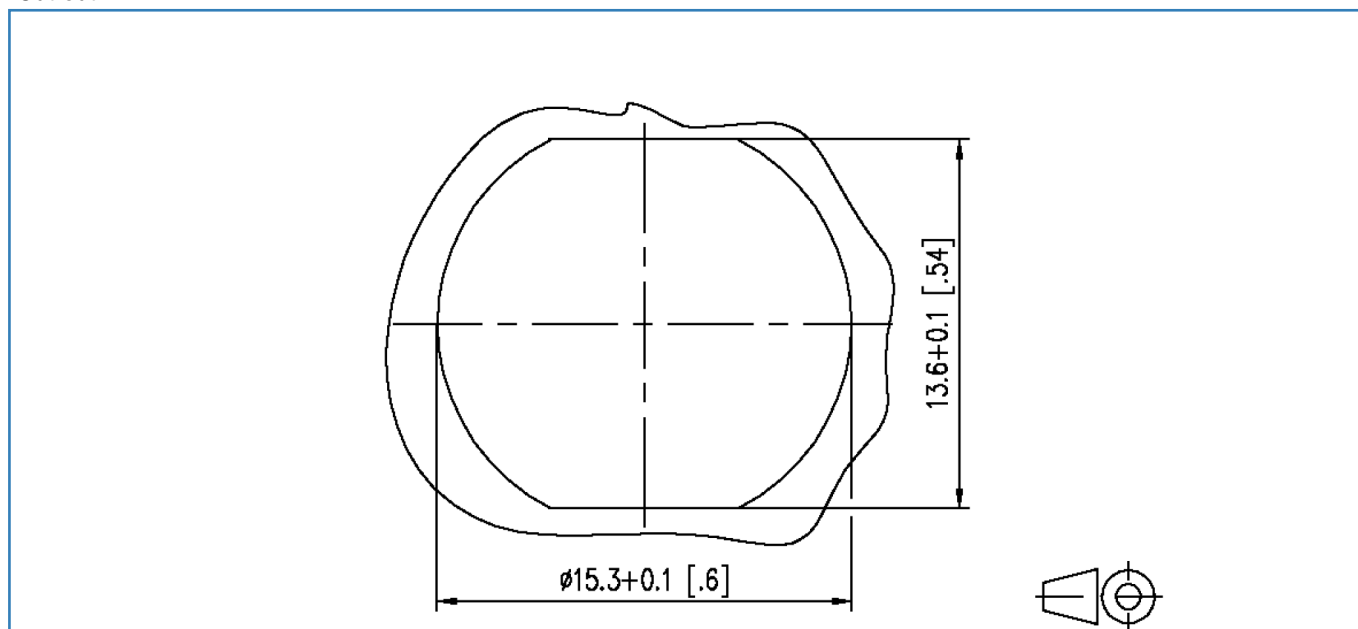
2018-01-03

### Illustrations

Dimensional drawing



Cut-out



Data sheet

Page 6/6

**Connection cable M12 jack straight - free line end  
8-pole, X-coded 5.0 m**

P/N

142M2X20050

EAN 4250184199427

2018-01-03

**Illustrations**

Wiring

