

## Data sheet

### Connection cable M12 plug straight - free line end 4-pole, D-coded 1.0 m

Page 1/6

P/N

142M1D10010

EAN 4250184139409

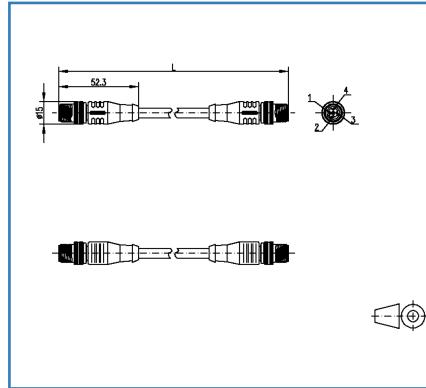
2019/01/08

Version: AW

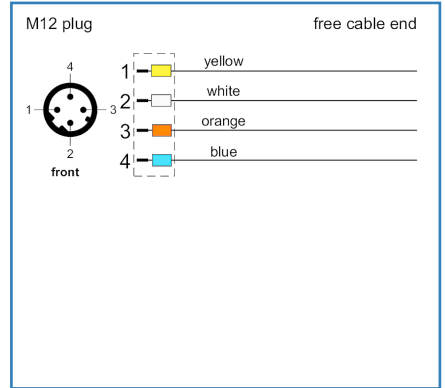
## Illustrations



Dimensional drawing



Wiring



See enlarged drawings at the end of document

## Product specification

- shielded M12 Ethernet connection cable
  - Cat.5e, 4-pole, D-coded (IEC 61076-2-101)
  - side 1: M12-plug, straight
  - side 2: free line end
  - extrusion-coated cable on M12 connector
  - 2x2xAWG22/7, tinned with plastic foil
  - inner sheath FRNC, aluminum-coated plastic foil
  - overall shield: tinned copper braid, approx. 85% covered
  - Profinet (WS-GE-BL-OR) wiring
  - green cable, PUR
- 
- variants: 1.0 m, 2.0 m, 5.0 m, 10.0 m
  - other cable lengths on request



## Connection cable M12 plug straight - free line end 4-pole, D-coded 1.0 m

P/N

142M1D10010

EAN 4250184139409

2019/01/08

Version: AW

### Technical Data

#### General Data

Fields of application	Industrial Ethernet
Design	Ethernet-Connection line
Shielding	shielded
Transmission technology	Copper
Number of twisting elements	2
Twisting element	Pair
Color coding fiber/ wire(s)	yellow, white, orange, blue
Color	green
Dimensions	
Dimension - Interface 1	52.3 mm x 15 mm x 15 mm
Dimension - Interface 1	2.059 in. x 0.591 in. x 0.591 in.
Cable length (m)	1 m
Cable length (ft)	3.28 ft
Labeling option	identification label carrier

#### Transmission characteristics

Transmission rate up to 100 MBit (Fast Ethernet)	IEEE 802.3u
--	-------------

#### Connections/interfaces

Connector technology interface 1	M12-plug
Connector technology interface 2	M12-plug
Coding interface 1	D-coded
Coding interface 2	D-coded
Number of positions/contacts interface 1	4
Number of positions/contacts interface 2	4
Termination data, stranded wire (min. - max.)	
Conductor cross section, stranded wire	22/7
Conductor diameter, stranded wire (bare copper)	0.75 mm
Conductor diameter, stranded wire (bare copper)	0.03 in.

## Connection cable M12 plug straight - free line end 4-pole, D-coded 1.0 m

P/N

142M1D10010

EAN 4250184139409

2019/01/08

Version: AW

### Technical Data

Connections/interfaces	
Cable sheath diameter (min. - max.)	
Cable sheath diameter	6.5 mm
Cable sheath diameter	0.236 in.
acceleration	4 m/s <sup>2</sup>
Electrical characteristics	
Current carrying capacity	4
Rated voltage	250 V
UL rating (cable)	600 V
Through resistance	max. 5 mOhm
Insulation resistance	min. 100 mOhm
Mechanical characteristics	
Bending radius without load	min. 49 mm
Maximum operating bending radius	26 mm
Maximum operating bending radius	1.024 in.
Maximum installation load	52 mm
Maximum installation load	2.047 in.
Number of alternating bending cycles	3 million bending cycles
Alternating bending radius	100 mm
velocity	4 m/s
acceleration	4 m/s <sup>2</sup>
Shielding braid coverage	85 %
Installation method	PROFINET type C
Materials and material properties	
Material - Conductor	Cu (copper)
Material - Cable jacket	PUR
Material - Inner cable jacket	FRNC, with an aluminized film
Material - Body interface 1	Plastics
Material - Body interface 2	Plastics
Material - Contact interface 1	CuZn (brass)
Material - Contact interface 2	CuZn (brass)
Material - Contact finish interface 1	Au (gold)
Material - Contact finish interface 2	Au (gold)

## Connection cable M12 plug straight - free line end 4-pole, D-coded 1.0 m

P/N

142M1D10010

EAN 4250184139409

2019/01/08

Version: AW

### Technical Data

#### Materials and material properties

Material - Contact carriers interface 1	Plastics
Material - Contact carriers interface 2	Plastics
Material - Union nut interface 1	CuZn (brass)
Material - Union nut interface 2	CuZn (brass)
Material - Union nut finish interface 1	Ni (nickel)
Material - Union nut finish interface 2	Ni (nickel)
Material - Pair shield	plastic film
Material - Pair shield finish	Al (Aluminium)
Material - Main shield	Cu (copper) braid
Material - Main shield finish	Sn (tin)
Flame retardancy	yes
Halogen free	yes
Oil resistance	yes
UV-resistance	yes
schleppkettentauglich	yes

#### Environmental conditions

Temperature (min. - max.)	
Temperature - Operating $\hat{A}^{\circ}\text{C}$	-30 $^{\circ}\text{C}$ - 90 $^{\circ}\text{C}$
Temperature - Operating $\hat{A}^{\circ}\text{F}$	-22 $^{\circ}\text{F}$ - 194 $^{\circ}\text{F}$
Particulate ingress interface 1	IP6X when plugged in
Liquid ingress/immersion interface 1	IPX7 when plugged in

#### The product meets the following standards

Generic cabling systems	
General requirements	DIN EN 50173-1
Profinet	yes
Common test methods for cables under fire conditions	
UNCE	R118
Test for vertical flame propagation for a single insulated wire or cable	IEC 60332-1-2
Measurement of smoke density of cables burning	DIN EN 61034

Data sheet

Page 5/6

## Connection cable M12 plug straight - free line end 4-pole, D-coded 1.0 m

P/N

142M1D10010

EAN 4250184139409

2019/01/08

Version: AW

### Technical Data

#### Classifications

ETIM 5.0	EC002599
ETIM 6.0	EC002599

#### Packing details

Type of packaging	1 pc(s) / plastic bag
Packaging unit - Weight (gram)	87 g
Packaging unit - Weight (pound)	0.19 lb

© 2019 METZ CONNECT - Technische Änderungen vorbehalten! Subject to modifications! Sous réserve de modifications techniques!



# P | Cabling

Data sheet

Page 6/6

## Connection cable M12 plug straight - free line end 4-pole, D-coded 1.0 m

P/N

142M1D10010

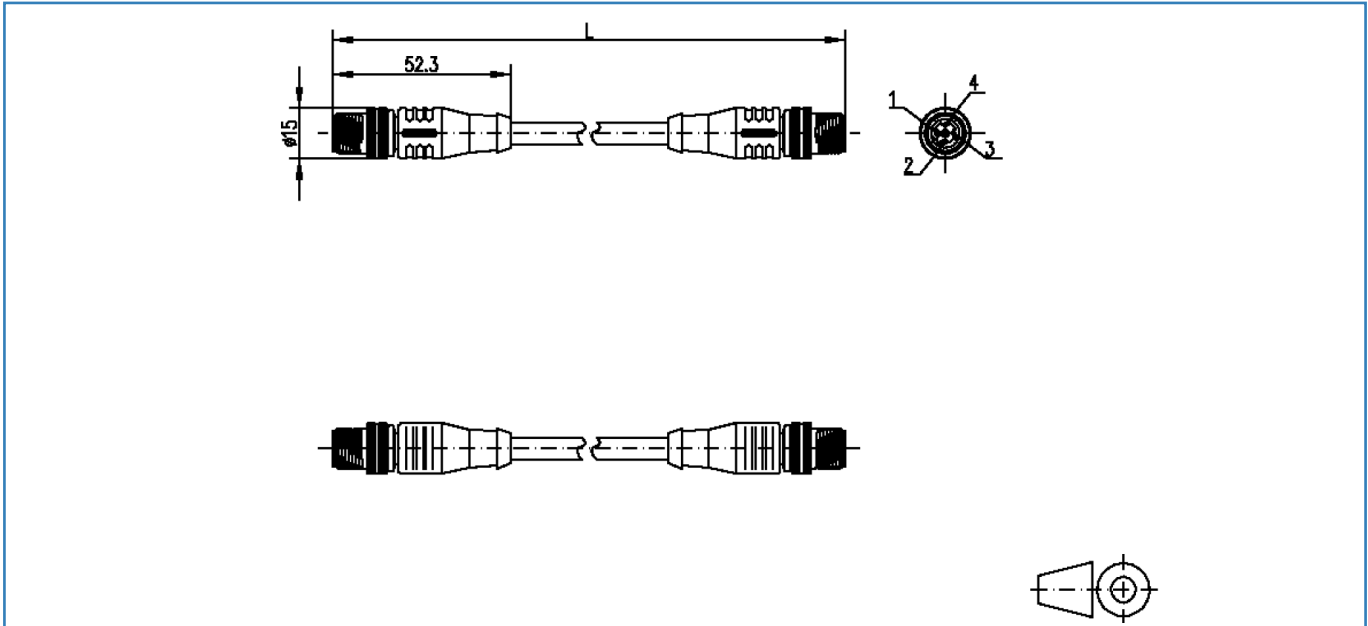
EAN 4250184139409

2019/01/08

Version: AW

### Illustrations

Dimensional drawing



Wiring

