

## Data sheet

### OpDAT Industry terminal rail TS35 + SC-D MM adapter insert

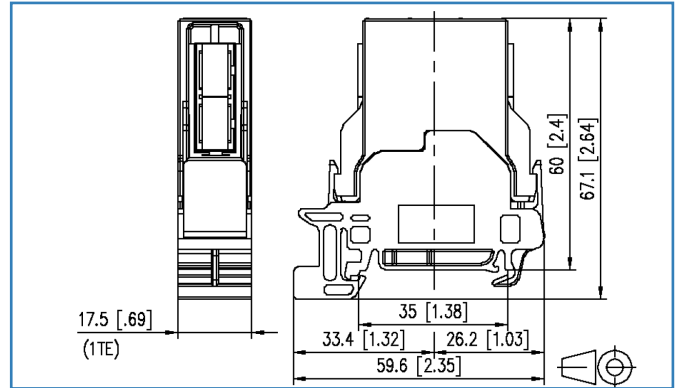
Page 1/4

P/N  
1402P06113KE  
EAN 4250184119128  
2019/12/04  
Version: F

## Illustrations



Dimensional drawing



See enlarged drawings at the end of document

## Product specification

- termination unit with SC-D adapter on TH35 rail to DIN EN 60715
- slotted zirconium oxide ceramics sleeve (ZrO<sub>2</sub>) for single mode applications
- slotted metal sleeve (Ph-Br) for multi mode applications
- width of 1HP allows mounting up to 12 units in a standard electrical distribution panel
- vertical plugging direction, 90° to rail
- variants: SM, MM



## OpDAT Industry terminal rail TS35 + SC-D MM adapter insert

P/N  
1402P06113KE  
EAN 4250184119128  
2019/12/04  
Version: F

### Technical Data

#### General Data

Fields of application	Office
Design	wall outlet
Mounting style	Standard rail TH35
Transmission technology	Fiber optic
Color	light gray
Dimensions	
Dimension (L x W x H)	67.1 mm x 17.5 mm x 59.6 mm
Dimension (L x W x H)	2.642 in. x 0.689 in. x 2.346 in.
Horizontal pitch	1HP
Mode type of the fiber	Multimode

#### Connections/interfaces

Connector technology interface 1	SC-D
Connector technology interface 2	SC-D
Number of ports interface 1	1
Number of ports interface 2	1
Number of equipped ports interface 1	1
Number of ports interface 2 equipped	1
Number of ports with dust protection interface 1	1
Number of ports with dust protection interface 2	1
Module plug-in direction	vertical

#### Mechanical characteristics

Cut-out	SC-D, LC-Q, ST-D
Connector type	duplex
Life - Number of mating cycles	min. 500

#### Materials and material properties

Material - Housing	GD-Zn (zinc die-cast)
Material - Sleeve	PhBr, slotted
RoHS	compliant
REACH - substance (SVHC)	none



Data sheet

Page 3/4

## OpDAT Industry terminal rail TS35 + SC-D MM adapter insert

P/N  
1402P06113KE  
EAN 4250184119128  
2019/12/04  
Version: F

### Technical Data

#### Environmental conditions

Increased robustness	yes
----------------------	-----

#### Classifications

ETIM 5.0	EC001121
ETIM 6.0	EC002598
ETIM 7.0	EC001024

#### Packing details

Type of packaging	10 pc(s) / box
Packaging unit - Weight (gram)	290 g
Packaging unit - Weight (pound)	0.64 lb
Packaging dimension	250 mm x 105 mm x 89 mm
Packaging dimension	9.843 in. x 4.134 in. x 3.504 in.

Data sheet

Page 4/4

**OpDAT Industry terminal rail TS35  
+ SC-D MM adapter insert**

**P/N**  
**1402P06113KE**

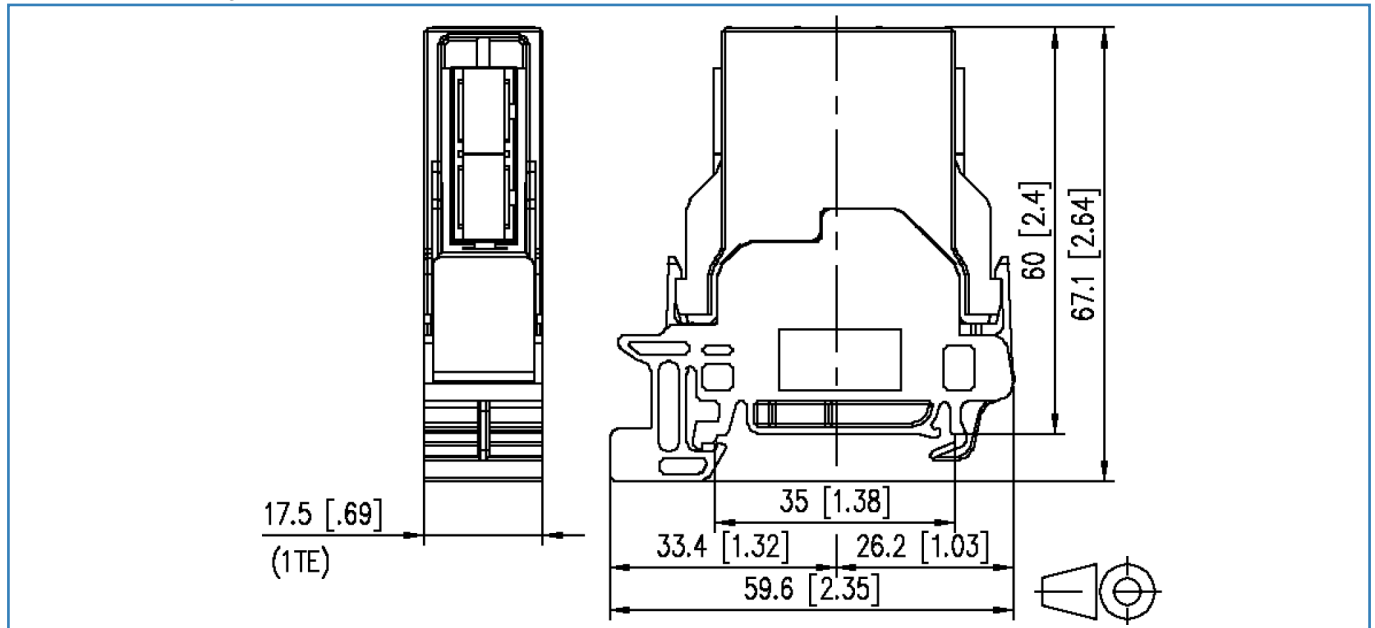
**EAN 4250184119128**

2019/12/04

Version: F

**Illustrations**

Dimensional drawing



© 2019 METZ CONNECT - Technische Änderungen vorbehalten! Subject to modifications! Sous réserve de modifications techniques!