

Data sheet

E-DAT Industry RJ45 field plug PROFINET

Page 1/7

P/N

1401405012PI

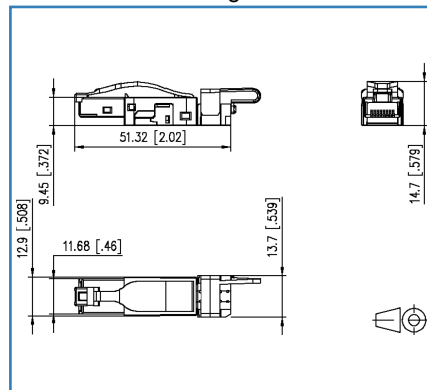
EAN 4250184180326

2017-19-12

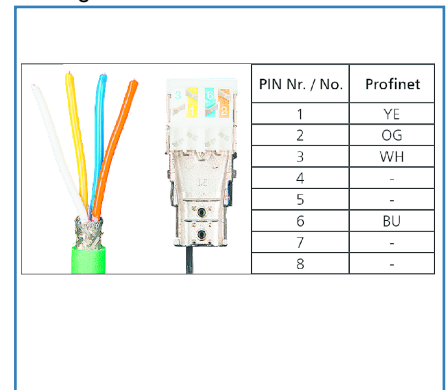
Illustrations



Dimensional drawing



Wiring



See enlarged drawings at the end of document



Product specification

- multi-port Cat.5 plug to be assembled in the field
- 100 MBit suitable according to IEEE 802.3an
- suitable for Remote Powering (PoE and PoE plus) and HDBaseT
- 4-wire RJ45 plug for AWG 22 to be assembled in the field
- connection of AWG 26/7 - 22/7; AWG 26/1 - 22/1 possible
- solid copper wire diameter from 0.4 to 0.64 mm
- stranded copper wire diameter from 0.48 to 0.76 mm
- conductor diameter up to 1.6 mm
- cable jacket from 5.5 to 8.5 mm
- consists of only 2 parts
- easy assembly - connection without special tools
- during mounting, the cable is mechanically fastened to the stuffer cap
- easy to actuate strain relief
- strain relief can be snapped on after assembly as color coding
- zinc die-cast housing for industrial use
- protected locking hook
- can be used as test plug on IP67 protected jacks of variants 1, 4, 5, 6 and 14

Technical Data

General Data

Fields of application	Industrial Ethernet
Design	Plugs
Shielding	shielded
Transmission technology	Copper
Wiring	Profinet
Color	green
Dimensions	
Dimension (L x W x H)	51.32 x 12.90 x 14.70 mm
Dimension (L x W x H)	2.02 x 0.508 x 0.579 in.
Field assembly ability	yes
Multi-port capability	yes
Marking option	Strain relief

Transmission characteristics

Category (ISO)	5
Class (ISO/IEC)	D
Category (TIA)	5
Remote Powering	yes
PoE	IEEE 802.3af
PoE plus	IEEE 802.3at
HDBaseT	yes
Transmission rate up to 10 GBit	IEEE 802.3an

Connections/interfaces

Connector technology interface 1	IDC-connection
Connector technology interface 2	RJ45 plug
Number of ports interface 2	1
Number of ports interface 2 equipped	1
Number of positions/contacts interface 1	4
Number of positions/contacts interface 2	8P/4C



Technical Data

Connections/interfaces

Termination data, solid wire (min. - max.)

Conductor cross section, solid wire	AWG 26/1 - 22/1
Conductor cross section, solid wire	0.128 - 0.324 mm ²
Conductor diameter, solid wire (bare copper)	0.409 - 0.643 mm
Conductor diameter, solid wire (bare copper)	0.016 - 0.025 in.

Termination data, stranded wire (min. - max.)

Conductor cross section, stranded wire	AWG 26/7 - 22/7
Conductor cross section, stranded wire	0.141 - 0.355 mm ²
Conductor diameter, stranded wire (bare copper)	0.483 - 0.762 mm
Conductor diameter, stranded wire (bare copper)	0.019 - 0.030 in.

Core diameter (min. - max.)

Core diameter (conductor with insulation)	1.60 mm
Core diameter (conductor with insulation)	0.063 in.

Cable sheath diameter (min. - max.)

Cable sheath diameter	5.50 - 8.50 mm
Cable sheath diameter	0.217 - 0.335 in.

Cable access/outlet	180°
---------------------	------

Electrical characteristics

Current carrying capacity	max. 1 A
Contact resistance	max. 20 mOhm
Insulation resistance	min. 500 MOhm
Dielectric strength conductor-conductor (secondary)	min. 1000 V DC

Mechanical characteristics

Mounting method	snap-in function
Insertion and withdrawal force	max. 30 N
Position/mounting of latch - standard installation position	top
strain relief	yes



Technical Data

Materials and material properties

Material - Housing	GD-Zn (zinc die-cast)
Material - Housing finish	copper-nickel (Ni-Cu)
Material - Insulation displacement contacts	CuSn (tin bronze)
Material - Finish of insulation displacement contacts	Sn (tin)
Material - Contact	CuSn (tin bronze)
Material - Contact finish	Ni + Au (nickel-gold)
Material - Shield	Cu-Ni-Zn (nickel silver)
Material - Stuffer cap	PA UL94-V0
Material - Strain relief	PA UL94-V0
Material - Latch	PA UL94 V0
Material - Finish	Ni (nickel)

Environmental conditions

Temperature (min. - max.)	
Temperature - Storage °C	-40 - 70 °C
Temperature - Storage °F	-40 - 158 °F
Temperature - Operating °C	-40 - 70 °C
Temperature - Operating °F	-40 - 158 °F
Rapid change of temperature	-40°C / -40°F - +70°C / 158°F / 25 cycles t=30 min
Damp heat	+25°C / +77°F / +65°C / +149°F / 93% RH // -10°C / -14°F / 21 cycles
Electromagnetic measurement	E ₂
Vibration	50 m/s ²
Shock	250 m/s ²

Approvals

RoHS	compliant
UL listed (file no.)	DUXR.E178484



Technical Data

The product meets the following standards

Generic cabling systems

General requirements	ISO/IEC 11801 Ed.2.2:2011-06 DIN EN 50173-1:2011-09 TIA/EIA 568-B.2-10
Office buildings	ISO/IEC 11801 Ed.2.2: 2011-06 DIN EN 50173-2: 2011-09 TIA/EIA 568-C
Industrial area	ISO/IEC 24702 DIN EN 50173-3: 2011-09 TIA/EIA 1005
Living units	ISO/IEC 15018 DIN EN 50173-4: 2011-09 TIA/EIA 570-B

Application-specific communications cabling systems

Profinet	yes
Expansion of Communication Circuit Accessories (DUXR) Category	UL 1863
Connectors for electronic equipment	
Free and fixed connectors	DIN EN 60603-7-3:2011-03
Interference proof	
Immunity for industrial environments	DIN EN 61000-6-2:2006-03
Emission proof	
Electromagnetic emission for residential, commercial and light-industrial environments	DIN EN 61000-6-3:2011-09
Climate tests	IEC 60512-11

Classifications

ETIM 6.0	EC001121
----------	----------

Packing details

Type of packaging	10 pc(s) / box
Packaging unit - Weight (gram)	250.00 g
Packaging unit - Weight (pound)	0.55 lb
Packaging dimension (W x H x D)	247.00 x 161.00 x 58.00 mm
Packaging dimension (W x H x D)	9.724 x 6.339 x 2.283 in.



Accessories

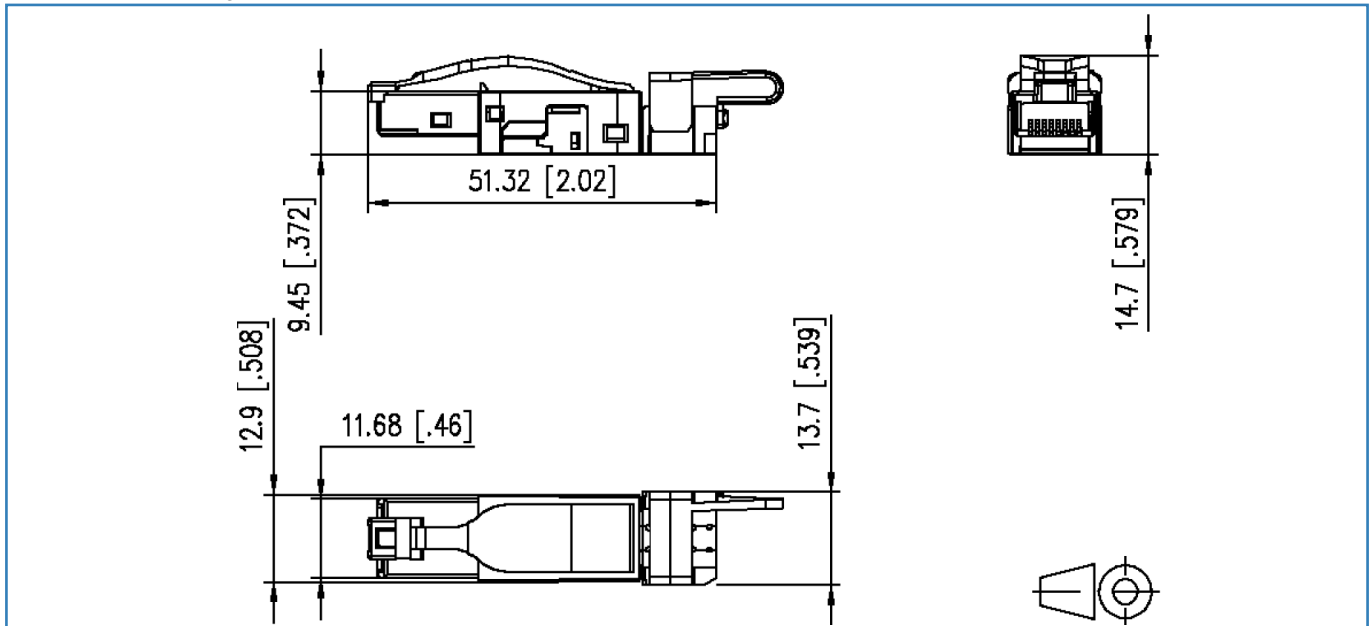
P/N	Designation
1401009101-I	Industry color coding clip field plug orange
1401009103-I	Industry color coding clip field plug light grey
1401009104-I	Industry color coding clip field plug white
1401009105-I	Industry color coding clip field plug yellow
1401009106-I	Industry color coding clip field plug blue
1401009107-I	Industry color coding clip field plug green

© 2017 METZ CONNECT - Technische Änderungen vorbehalten! Subject to modifications! Sous réserve de modifications techniques!

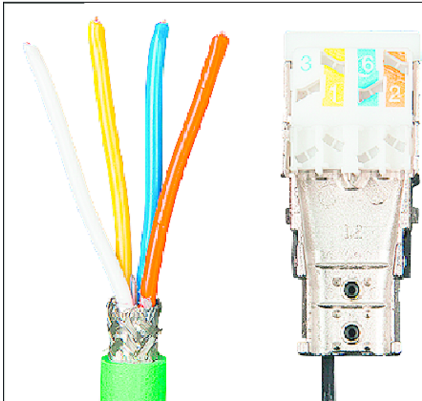


Illustrations

Dimensional drawing



Wiring



PIN Nr. / No.	Profinet
1	YE
2	OG
3	WH
4	-
5	-
6	BU
7	-
8	-