

Data sheet

Industry IP67 V5 metal bulkhead protective cap

Page 1/4

P/N

1401068100MI

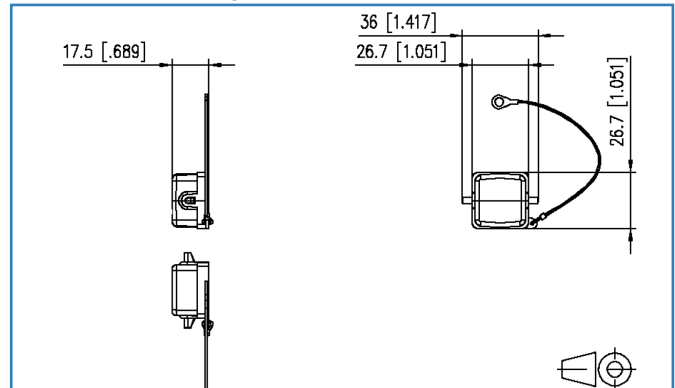
EAN 4250184114307

2016-13-07

Illustrations



Dimensional drawing



See enlarged drawings at the end of document

Product specification

- good ingress protection also if not plugged in due to tight IP67 protective cap
- flammability class as per UL 94V-0
- improved resistance to chemical substances
- captive, attached protective cap
- variants: protective cap for plug or flange

Industry IP67 V5 metal bulkhead protective cap

P/N

1401068100MI

EAN 4250184114307

2016-13-07

Technical Data

General Data

Design	Protective cap
Mounting style	Accessories
Color	gray
Dimensions	
Dimension (L x W x H)	17.50 x 36.00 x 26.70 mm
Dimension (L x W x H)	0.689 x 1.417 x 1.05 in.

Connections/interfaces

Protective housing	V5
--------------------	----

Mechanical characteristics

IP67-protective cap	captive
---------------------	---------

Materials and material properties

Material	metal
----------	-------

Environmental conditions

Particulate ingress	IP6X
Liquid ingress/immersion	IPX7
Increased chemical resistance	yes

Approvals

RoHS	compliant
------	-----------

The product meets the following standards

Degrees of Protection Provided by Enclosures	IEC 60529
--	-----------

Classifications

ETIM 5.0	EC002597
ETIM 6.0	EC002597



Industry IP67 V5 metal bulkhead protective cap

P/N

1401068100MI

EAN 4250184114307

2016-13-07

Technical Data

Packing details

Type of packaging	10 pc(s) / box
Packaging unit - Weight (gram)	216.00 g
Packaging unit - Weight (pound)	0.48 lb
Packaging dimension (W x H x D)	247.00 x 161.00 x 58.00 mm
Packaging dimension (W x H x D)	9.724 x 6.339 x 2.283 in.



Illustrations

Dimensional drawing

