

Data sheet

E-DAT Industry IP67 V5 2 port metal outlet

Page 1/5

P/N

1401060320ME

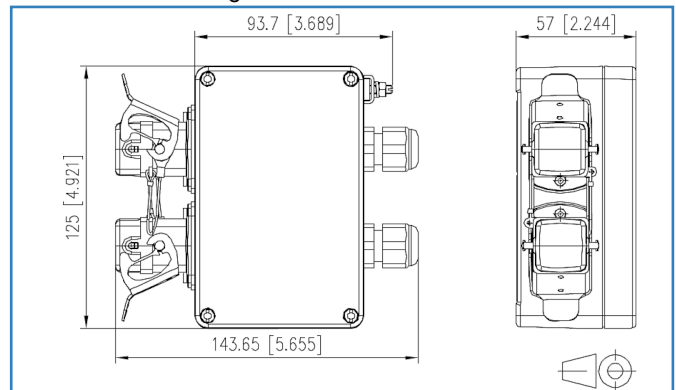
EAN 4250184116448

2017-16-08

Illustrations



Dimensional drawing



See enlarged drawings at the end of document

Product specification

- IP67 wall outlets for flexible connection of networks in industrial areas
- flange with clamp lock to IEC 61076-3-106 Var. 5
- unequipped - without inserts
- for wall and floor mounting
- aluminum housing made of AL-Si 12
- solid powder coating in RAL 7001
- with 1 or 2 ports; completely with flange covers
- straight and right cable outlet (if cable feed from the bottom)
- measures for 1 port: 75 x 78 x 57 mm (without flanges and cable glands)
- measures for 2 ports 124 x 78 x 57 mm (without flanges and cable glands)
- matching inserts: E-DAT Industry RJ45 field jack insert (T568A, T568B or Profinet), E-DAT Industry RJ45 coupler insert or E-DAT Industry USB coupler insert



Technical Data

General Data

Fields of application	Harsh environment
Design	Wall outlet
Color	gray
Dimensions	
Dimension (L x W x H)	143.65 x 125.00 x 57.00 mm
Dimension (L x W x H)	5.656 x 4.921 x 2.244 in.
Labeling option	on housing

Connections/interfaces

Number of ports interface 1	2
Number of ports interface 2	2
Number of equipped ports interface 1	0
Number of ports interface 2 equipped	0
Protective housing interface 1	V5
Protective housing interface 2	V5
Cable sheath diameter (min. - max.)	
Cable sheath diameter	4.50 - 10.00 mm
Cable sheath diameter	0.177 - 0.394 in.
Module plug-in direction	straight
Cable access/outlet	180°

Mechanical characteristics

Locking method (protective housing)	clamp lock
-------------------------------------	------------

Materials and material properties

Material - Housing	Al (Aluminium)
Material - Protective housing	die-cast aluminium
Material - Housing seal	CR (chloroprene rubber)
Material - Protective housing seal	NBR (nitrile butadiene rubber)
Material - Cable glands seal	CR / NBR
Material - Cable gland	CuZn (brass)
Material - Cable gland finish	Ni (nickel)
Material - Housing screw(s)	stainless steel
Material - Protective housing screw(s)	steel



Technical Data

Materials and material properties

Material - Protective housing screw(s) finish	Zn (zinc)
Material - Grounding screw and washer in the housing	steel
Material - Grounding screw and washer in the housing, finish	Zn (zinc)
Material - Ground connection	stainless steel
Material - Adapter	PC UL94-V0
Material - Locking latch	stainless steel
Material - Protective cap	die-cast aluminium

Environmental conditions

Temperature (min. - max.)	
Temperature - Storage °C	-40 - 70 °C
Temperature - Storage °F	-40 - 158 °F
Temperature - Operating °C	-40 - 70 °C
Temperature - Operating °F	-40 - 158 °F
Particulate ingress	IP6X
Liquid ingress/immersion	IPX7
Rapid change of temperature	-40°C / -40°F - +70°C / 158°F / 25 cycles t=30 min
Damp heat	+25°C / +77°F / +65°C / +149°F / 93% RH // -10°C / -14°F 21 cycles
Salt spray fog test (NSS Test)	35 °C / 95 °F / 4 days, 5% NaCL

Approvals

RoHS	compliant
------	-----------

The product meets the following standards

Generic cabling systems	
Industrial area	ISO/IEC 24702
Expansion of Communication Circuit Accessories (DUXR) Category	UL 1863
Degrees of Protection Provided by Enclosures	IEC 60529
Connectors for electronic equipment	
Rectangular connectors	DIN EN 61076-3-106

E-DAT Industry IP67 V5 2 port metal outlet

P/N

1401060320ME

EAN 4250184116448

2017-16-08

Technical Data

Classifications

ETIM 5.0	EC002597
ETIM 6.0	EC002597

Packing details

Type of packaging	1 pc(s) / box
Packaging unit - Weight (gram)	300.00 g
Packaging unit - Weight (pound)	0.66 lb
Packaging dimension (W x H x D)	230.00 x 125.00 x 95.00 mm
Packaging dimension (W x H x D)	9.055 x 4.921 x 3.74 in.



Data sheet

Page 5/5

E-DAT Industry IP67 V5 2 port metal outlet

P/N

1401060320ME

EAN 4250184116448

2017-16-08

Illustrations

Dimensional drawing

