

Data sheet

Industry IP67 V5 metal plug protective cap

Page 1/4

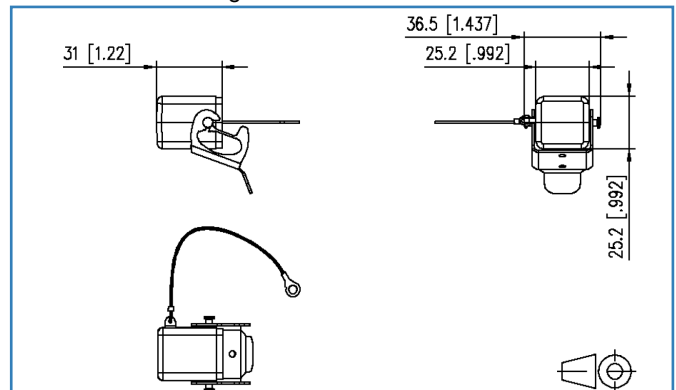
P/N
140106800MI
EAN 4250184114185

2016-13-07

Illustrations



Dimensional drawing



See enlarged drawings at the end of document

Product specification

- good ingress protection also if not plugged in due to tight IP67 protective cap
- flammability class as per UL 94V-0
- improved resistance to chemical substances
- captive, attached protective cap
- variants: protective cap for plug or flange

Industry IP67 V5 metal plug protective cap

P/N

1401068000MI

EAN 4250184114185

2016-13-07

Technical Data

General Data

Fields of application	Harsh environment
Design	Protective cap
Mounting style	Accessories
Color	gray
Dimensions	
Dimension (L x W x H)	31.00 x 36.50 x 25.20 mm
Dimension (L x W x H)	1.22 x 1.437 x 0.99 in.

Connections/interfaces

Protective housing	V5
--------------------	----

Mechanical characteristics

IP67-protective cap	captive
---------------------	---------

Materials and material properties

Material	metal
----------	-------

Environmental conditions

Temperature (min. - max.)	
Temperature - Storage °C	-40 - 70 °C
Temperature - Storage °F	-40 - 158 °F
Particulate ingress	IP6X
Liquid ingress/immersion	IPX7
Increased chemical resistance	yes

Approvals

RoHS	compliant
UL listed (file no.)	DUXR.E178484

The product meets the following standards

Degrees of Protection Provided by Enclosures	IEC 60529
--	-----------



Data sheet
Industry IP67 V5 metal plug protective cap

Page 3/4

P/N
140106800MI
EAN 4250184114185

2016-13-07

Technical Data

Classifications

ETIM 5.0	EC001121
ETIM 6.0	EC001121

Packing details

Type of packaging	10 pc(s) / box
Packaging unit - Weight (gram)	186.00 g
Packaging unit - Weight (pound)	0.41 lb
Packaging dimension (W x H x D)	247.00 x 161.00 x 58.00 mm
Packaging dimension (W x H x D)	9.724 x 6.339 x 2.283 in.



Data sheet
Industry IP67 V5 metal plug protective cap

Page 4/4

P/N
140106800MI
EAN 4250184114185

2016-13-07

Illustrations

Dimensional drawing

