

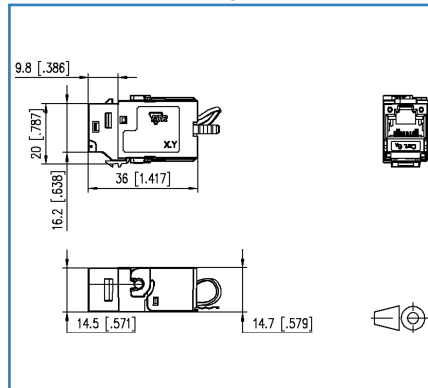
Data sheet

C6_Amodul K 180° jack - Keystone style

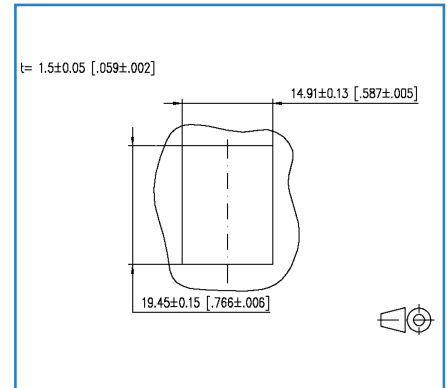
Illustrations



Dimensional drawing



Cut-out



See enlarged drawings at the end of document



Product specification

- modular Cat.6_A termination unit RJ45
- mounting version: Keystone, 180° cable feed
- solid, one-piece and reusable module housing refined with zinc die-casting
- mounting without special tools; strain relief directly snapped on to stuffer cap
- migration to 25G-systems without special tools
- easy to install connection of data lines AWG 26/1 to 22/1 (solid wire) and AWG 26/7 to 22/7 (stranded wire) to insulation displacement connectors (IDC)
- intelligent cable management in stuffer cap - also suitable for heavily twisted cables
- conductor assignment to T568A and T568B is directly printed on the stuffer cap
- certified to GHMT Cat.6_A re-embedded PVP
- component testing for Cat.6_A to ISO/IEC 11801 Ed.2.2:2011-06, DIN EN 50173-1:2011-09, TIA/EIA-568-C.2 (2009-08) and IEC 60603-7-51 Ed.1 (12/2008), certified to GHMT
- compliance with class E_A up to 500 MHz to ISO/IEC 11801 Ed.2.2:2011-06, DIN EN 50173-1:2011-09
- tested: component up to 600 MHz, link up to 800 MHz
- suitable for 10 GBit Ethernet (IEEE 802.3an), Remote Powering (PoE, PoE plus, UPoE and 4PPoE) and HDBaseT

C6_Amodul K 180° jack - Keystone style

P/N

130B21-E

EAN 4250184133483

2020/04/11

Version: AL

Technical Data

General Data

Fields of application	Office
Design	Jack
Shielding	shielded
Transmission technology	Copper
Wiring	T568A, T568B
Color	metallike
Dimensions	
Dimension (L x W x H)	36 mm x 14.7 mm x 20 mm
Dimension (L x W x H)	1.417 in. x 0.579 in. x 0.787 in.
Modularity	yes
Field assembly ability	yes
Labeling option	on housing
Marking option	by latching clip

Transmission characteristics

Category (ISO)	6 _A
Class (ISO/IEC)	E _A
Category (TIA)	6A
Remote Powering	yes
PoE	IEEE 802.3af
PoE plus	IEEE 802.3at
UPoE	yes
4PPoE	IEEE 802.3bt
HDBaseT	yes
Transmission rate up to 10 GBit	IEEE 802.3an

Connections/interfaces

Connector technology interface 1	IDC-connection
Connector technology interface 2	RJ45-jack
Number of ports interface 2	1
Number of ports interface 2 equipped	1
Number of positions/contacts interface 1	8
Number of positions/contacts interface 2	8P/8C

Technical Data

Connections/interfaces

Termination data, solid wire (min. - max.)

Conductor cross section, solid wire	AWG 26/1 - AWG 22/1
Conductor cross section, solid wire	0.128 mm ² - 0.324 mm ²
Conductor diameter, solid wire (bare copper)	0.409 mm - 0.643 mm
Conductor diameter, solid wire (bare copper)	0.016 in. - 0.025 in.

Termination data, stranded wire (min. - max.)

Conductor cross section, stranded wire	AWG 26/7 - AWG 22/7
Conductor cross section, stranded wire	0.141 mm ² - 0.355 mm ²
Conductor diameter, stranded wire (bare copper)	0.483 mm - 0.762 mm
Conductor diameter, stranded wire (bare copper)	0.019 in. - 0.03 in.

Cable sheath diameter (min. - max.)

Cable sheath diameter	5.5 mm - 10.00 mm
Cable sheath diameter	0.217 in. - 0.394

Cable access/outlet

180°

Electrical characteristics

Current carrying capacity	max. 1 A
Rated voltage	max. 50 V
Contact resistance	max. 20 mOhm
Through resistance	max. 200 mOhm
Insulation resistance	min. 500 MOhm
Dielectric strength conductor-conductor (secondary)	max. 1000 V DC

Mechanical data

Cut-out	Keystone
Mounting method	snap-in function
Insertion and withdrawal force	max. 30 N
Position/mounting of latch - standard installation position	bottom
strain relief	latching clip

Technical Data

Materials and material properties

Material - Housing	GD-Zn (zinc die-cast)
Material - Contact	Spring steel
Material - Contact finish	Au (gold)
Material - Shield	GD-Zn (zinc die-cast)
Material - Stuffer cap	PA 6.6 UL94 V0
Material - Strain relief	PA 6.6 UL94 V0
Material - Finish	Ni (nickel)
RoHS	compliant
REACH - substance (SVHC)	none

Environmental conditions

Rapid change of temperature	-40°C / -40°F - +70°C / 158°F / 25 cycles t=30 min
Electromagnetic measurement	E2

Certifications

GHMT PVP



Approvals

CE	compliant	
UL listed (file no.)		DUXR.E178484

The product meets the following standards

Generic cabling systems	
General requirements	ANSI/TIA-568-C
Office buildings	ISO/IEC 11801 Ed.2.2: 2011-06 DIN EN 50173-2 ANSI/TIA-568-C
Living units	ISO/IEC 15018 DIN EN 50173-4 ANSI/TIA-570-B

C6_Amodul K 180° jack - Keystone style

P/N

130B21-E

EAN 4250184133483

2020/04/11

Version: AL

Technical Data

The product meets the following standards

Connectors for electronic equipment

Free and fixed connectors	DIN EN 60603-7-51:2011-01
---------------------------	---------------------------

Connectors for electronic equipment - Tests and measurements

Test schedule for connectors	DIN-EN 60512-99-001, DIN-EN 60512-99-002
------------------------------	--

Interference proof

Immunity for industrial environments	DIN EN 61000-6-2:2006-03
--------------------------------------	--------------------------

Emission proof

Electromagnetic emission for residential, commercial and light-indus	DIN EN 61000-6-3:2011-09
--	--------------------------

Classifications

ETIM 5.0	EC001121
----------	----------

ETIM 6.0	EC001121
----------	----------

ETIM 7.0	EC001121
----------	----------

Packing details

Type of packaging	10 pc(s) / box
-------------------	----------------

Packaging unit - Weight (gram)	430 g
--------------------------------	-------

Packaging unit - Weight (pound)	0.95 lb
---------------------------------	---------

Packaging dimension (W x H x D)	258 mm x 164 mm x 51 mm
---------------------------------	-------------------------

Packaging dimension (W x H x D)	10.157 in. x 6.457 in. x 2.008 in.
---------------------------------	------------------------------------

Data sheet

Page 6/8

C6_Amodul K 180° jack - Keystone style

P/N

130B21-E

EAN 4250184133483

2020/04/11

Version: AL

Accessories

P/N	Designation
820032-0102-I	Dust protection cover for C6 _A modul pure white
820032-0103-I	Dust protection cover for C6 _A modul light gray
820032-0105-I	Dust protection cover for C6 _A modul yellow
820032-0106-I	Dust protection cover for C6 _A modul blue
820032-0107-I	Dust protection cover for C6 _A modul green
820032-0108-I	Dust protection cover for C6 _A modul red
820032-0129-I	Dust protection cover for C6 _A modul black

Data sheet

Page 7/8

C6_Amodul K 180° jack - Keystone style

P/N

130B21-E

EAN 4250184133483

2020/04/11

Version: AL

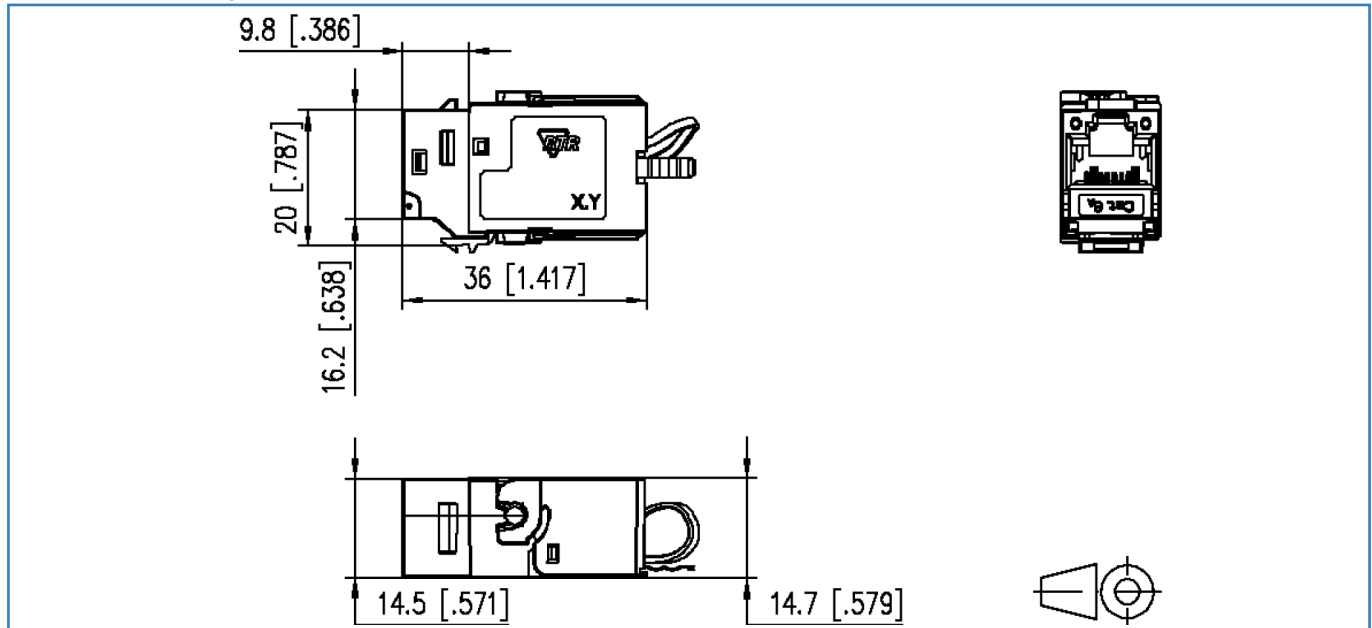
Zubehör von

P/N	Designation
130B20E2E-E	Keystone module frame 3RU, 7HP 6 port stainless steel unequipped



Illustrations

Dimensional drawing



Cut-out

