

## Data sheet

### Keystone module frame 3RU, 7HP 6 port stainless steel unequipped

Page 1/5

P/N  
130B20E2E-E

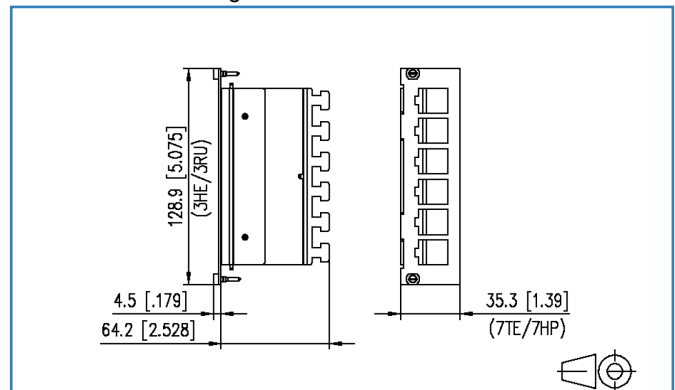
EAN 4250184149569

2018-20-02

## Illustrations



Dimensional drawing



See enlarged drawings at the end of document

## Product specification

- stainless steel module frame for 6 individual modules in Keystone design
- strain relief at the module
- 3RU 7HP module frame with very short dimensions
- mounts in OpDAT REGpro, OpDAT REGpro24, OpDAT CM or 3HP module frame
- additional strain relief possible by cable tie
- grounding possible by flat plug



## Data sheet

Page 2/5

# Keystone module frame 3RU, 7HP 6 port stainless steel unequipped

P/N

130B20E2E-E

EAN 4250184149569

2018-20-02

## Technical Data

### General Data

Fields of application	Office
Design	patch panel
Color	stainless steel
Dimensions	
Dimension (L x W x H)	64.20 x 128.90 x 35.30 mm
Dimension (L x W x H)	2.528 x 5.075 x 1.39 in.
Height unit	3RU
Horizontal pitch	7HP

### Connections/interfaces

Number of ports interface 1	6
Number of equipped ports interface 1	0
Number of ports interface 2	6
Number of ports interface 2 equipped	0
Ground connection	flat plug

### Mechanical characteristics

Cut-out	Keystone
strain relief	attached to module

### Materials and material properties

Material - Module support	stainless steel
---------------------------	-----------------

### Environmental conditions

Temperature (min. - max.)	
Temperature - Storage °C	-40 - 70 °C
Temperature - Storage °F	-40 - 158 °F
Temperature - Operating °C	-40 - 70 °C
Temperature - Operating °F	-40 - 158 °F



Data sheet

Page 3/5

## Keystone module frame 3RU, 7HP 6 port stainless steel unequipped

P/N

130B20E2E-E

EAN 4250184149569

2018-20-02

### Technical Data

#### Approvals

RoHS	compliant
------	-----------

#### Classifications

ETIM 5.0	EC001128
----------	----------

ETIM 6.0	EC001128
----------	----------

#### Packing details

Type of packaging	1 pc(s) / plastic bag
-------------------	-----------------------

Packaging unit - Weight (gram)	563.00 g
--------------------------------	----------

Packaging unit - Weight (pound)	1.24 lb
---------------------------------	---------

Packaging dimension (W x H x D)	300.00 x 200.00 x 50.00 mm
---------------------------------	----------------------------

Packaging dimension (W x H x D)	11.811 x 7.874 x 1.969 in.
---------------------------------	----------------------------



Data sheet

Page 4/5

**Keystone module frame 3RU, 7HP 6 port stainless steel  
unequipped**

P/N

130B20E2E-E

EAN 4250184149569

2018-20-02

**Accessories**

P/N	Designation
1309A0-I	E-DAT modul Coupler 8(8) 180° Cat.6
130A08-I-B1	UTP modul Cat.5e white
130A10-29-I-B1	UTP modul 8(8) Cat.6 black
130A10-I-B1	UTP modul 8(8) Cat.6 white
130910KI	E-DAT modul Cat.6 <sub>A</sub> K jack - Keystone style
130A11KI	UTP modul 8(8) Cat.6 <sub>A</sub> keystone white
130A11-29KI	UTP modul 8(8) Cat.6 <sub>A</sub> keystone black
130898-0103KI	COAX modul F jack / F jack, Keystone
130B21-E	C6 <sub>A</sub> modul K 180° jack - Keystone style



Data sheet

Page 5/5

**Keystone module frame 3RU, 7HP 6 port stainless steel  
unequipped**

P/N

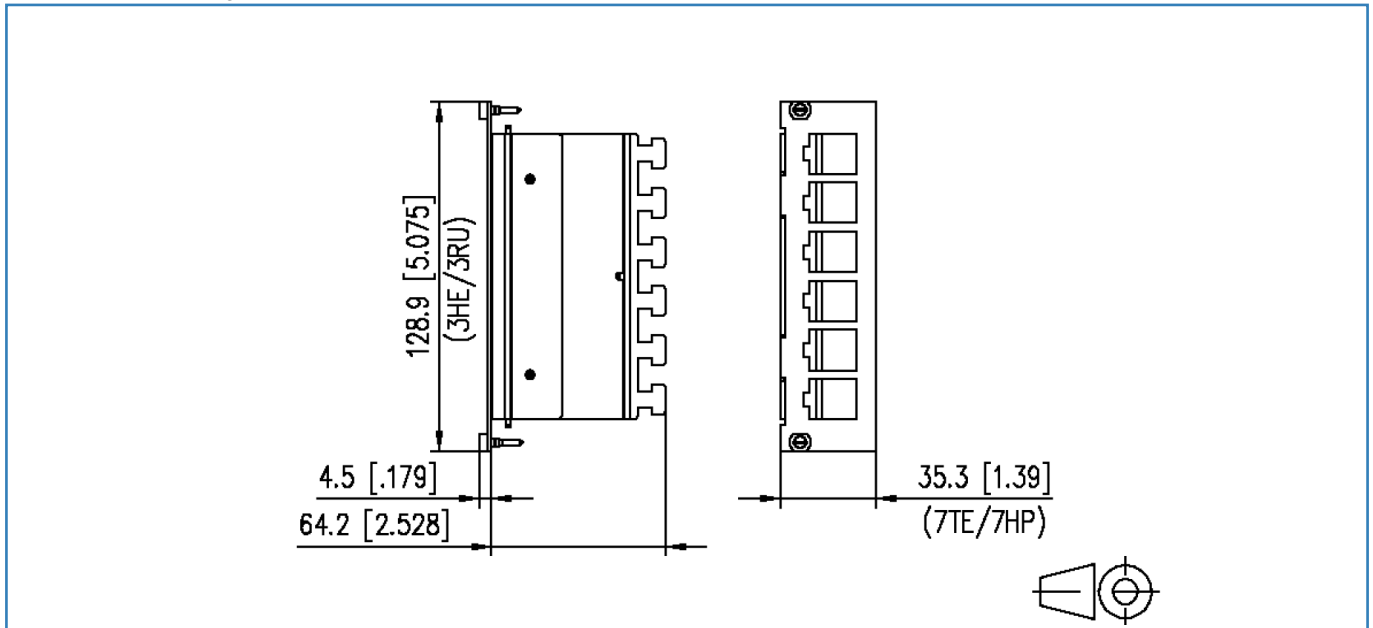
130B20E2E-E

EAN 4250184149569

2018-20-02

**Illustrations**

Dimensional drawing



© 2018 METZ CONNECT - Technische Änderungen vorbehalten! Subject to modifications! Sous réserve de modifications techniques!

