

Data sheet

C6_A modul 90° jack

Page 1/7

P/N
130B13-E

EAN 4250184133445

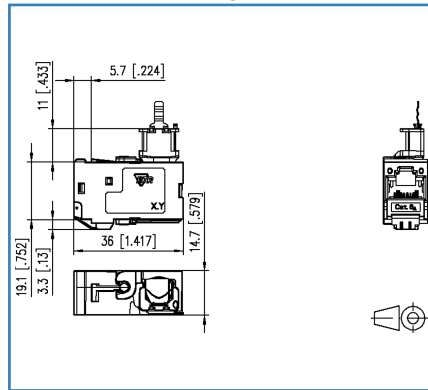
2020/04/11

Version: AJ

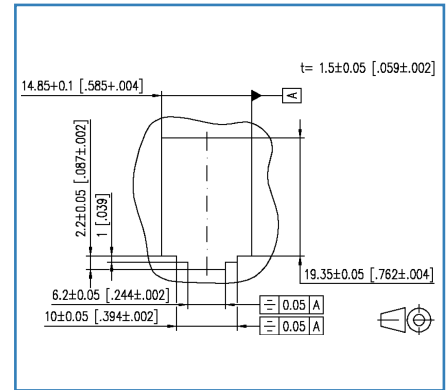
Illustrations



Dimensional drawing



Cut-out



See enlarged drawings at the end of document



Product specification

- modular Cat.6_A termination unit RJ45
- mounting version: module, 90° cable feed
- solid, one-piece and reusable module housing refined with zinc die-casting
- mounting without special tools; strain relief directly snapped on to stuffer cap
- migration to 25G-systems without special tools
- easy to install connection of data lines AWG 26/1 to 22/1 (solid wire) and AWG 26/7 to 22/7 (stranded wire) to insulation displacement connectors (IDC)
- intelligent cable management in stuffer cap - also suitable for heavily twisted cables
- conductor assignment to T568A and T568B is directly printed on the stuffer cap
- certified to GHMT Cat.6_A re-embedded PVP
- component testing for Cat.6_A to ISO/IEC 11801 Ed.2.2:2011-06, DIN EN 50173-1:2011-09, TIA/EIA-568-C.2 (2009-08) and IEC 60603-7-51 Ed.1 (12/2008), certified to GHMT
- compliance with class E_A up to 500 MHz to ISO/IEC 11801 Ed.2.2:2011-06, DIN EN 50173-1:2011-09
- tested: component up to 600 MHz, link up to 800 MHz
- suitable for 10 GBit Ethernet (IEEE 802.3an), Remote Powering (PoE, PoE plus, UPoE and 4PPoE) and HDBaseT

Data sheet C6_Amodul 90° jack

Technical Data

General Data

| | |
|-------------------------|-----------------------------------|
| Fields of application | Office |
| Design | Jack |
| Shielding | shielded |
| Transmission technology | Copper |
| Wiring | T568A, T568B |
| Color | metallike |
| Dimensions | |
| Dimension (L x W x H) | 36 mm x 14.7 mm x 22.4 mm |
| Dimension (L x W x H) | 1.417 in. x 0.579 in. x 0.882 in. |
| Modularity | yes |
| Field assembly ability | yes |
| Labeling option | on housing |
| Marking option | by latching clip |

Transmission characteristics

| | |
|---------------------------------|----------------|
| Category (ISO) | 6 _A |
| Class (ISO/IEC) | E _A |
| Category (TIA) | 6A |
| Remote Powering | yes |
| PoE | IEEE 802.3af |
| PoE plus | IEEE 802.3at |
| UPoE | yes |
| 4PPoE | IEEE 802.3bt |
| HDBaseT | yes |
| Transmission rate up to 10 GBit | IEEE 802.3an |

Connections/interfaces

| | |
|--|----------------|
| Connector technology interface 1 | IDC-connection |
| Connector technology interface 2 | RJ45-jack |
| Number of ports interface 2 | 1 |
| Number of ports interface 2 equipped | 1 |
| Number of positions/contacts interface 1 | 8 |
| Number of positions/contacts interface 2 | 8P/8C |

Technical Data

Connections/interfaces

Termination data, solid wire (min. - max.)

| | |
|--|---|
| Conductor cross section, solid wire | AWG 26/1 - AWG 22/1 |
| Conductor cross section, solid wire | 0.128 mm ² - 0.324 mm ² |
| Conductor diameter, solid wire (bare copper) | 0.409 mm - 0.643 mm |
| Conductor diameter, solid wire (bare copper) | 0.016 in. - 0.025 in. |

Termination data, stranded wire (min. - max.)

| | |
|---|---|
| Conductor cross section, stranded wire | AWG 26/7 - AWG 22/7 |
| Conductor cross section, stranded wire | 0.141 mm ² - 0.355 mm ² |
| Conductor diameter, stranded wire (bare copper) | 0.483 mm - 0.762 mm |
| Conductor diameter, stranded wire (bare copper) | 0.019 in. - 0.03 in. |

Cable sheath diameter (min. - max.)

| | |
|-----------------------|-------------------|
| Cable sheath diameter | 5.5 mm - 10.00 mm |
| Cable sheath diameter | 0.217 in. - 0.394 |

Cable access/outlet 90°

Electrical characteristics

| | |
|---|----------------|
| Current carrying capacity | max. 1 A |
| Rated voltage | max. 50 V |
| Contact resistance | max. 20 mOhm |
| Through resistance | max. 200 mOhm |
| Insulation resistance | min. 500 MOhm |
| Dielectric strength conductor-conductor (secondary) | max. 1000 V DC |

Mechanical data

| | |
|---|------------------|
| Cut-out | module |
| Mounting method | snap-in function |
| Insertion and withdrawal force | max. 30 N |
| Position/mounting of latch - standard installation position | top |
| strain relief | latching clip |

Data sheet C6_Amodul 90° jack

Page 4/7

P/N
130B13-E

EAN 4250184133445

2020/04/11

Version: AJ

Technical Data

Materials and material properties

| | |
|---------------------------|-----------------------|
| Material - Housing | GD-Zn (zinc die-cast) |
| Material - Contact | Spring steel |
| Material - Contact finish | Au (gold) |
| Material - Shield | GD-Zn (zinc die-cast) |
| Material - Stuffer cap | PA 6.6 UL94 V0 |
| Material - Strain relief | PA 6.6 UL94 V0 |
| Material - Finish | Ni (nickel) |
| RoHS | compliant |

Environmental conditions

| | |
|-----------------------------|--|
| Rapid change of temperature | -40°C / -40°F - +70°C / 158°F / 25 cycles t=30 min |
| Electromagnetic measurement | E2 |

Certifications

GHMT PVP



Approvals

| | | |
|----------------------|--|--------------|
| CE | compliant | |
| UL listed (file no.) |  | DUXR.E178484 |

The product meets the following standards

| | |
|-------------------------|--|
| Generic cabling systems | |
| General requirements | ANSI/TIA-568-C |
| Office buildings | ISO/IEC 11801 Ed.2.2: 2011-06 DIN EN 50173-2 ANSI/TIA-568-C |
| Living units | ISO/IEC 15018 DIN EN 50173-4 ANSI/TIA-570-B |

Data sheet C6_Amodul 90° jack

Page 5/7

P/N
130B13-E

EAN 4250184133445

2020/04/11

Version: AJ

Technical Data

The product meets the following standards

| | |
|--|--|
| Connectors for electronic equipment | |
| Free and fixed connectors | DIN EN 60603-7-51:2011-01 |
| Connectors for electronic equipment - Tests and measurements | |
| Test schedule for connectors | DIN-EN 60512-99-001, DIN-EN 60512-99-002 |
| Interference proof | |
| Immunity for industrial environments | DIN EN 61000-6-2:2006-03 |
| Emission proof | |
| Electromagnetic emission for residential, commercial and light-indus | DIN EN 61000-6-3:2011-09 |

Classifications

| | |
|----------|----------|
| ETIM 5.0 | EC001121 |
| ETIM 6.0 | EC001121 |
| ETIM 7.0 | EC001121 |

Packing details

| | |
|---------------------------------|------------------------------------|
| Type of packaging | 10 pc(s) / box |
| Packaging unit - Weight (gram) | 420 g |
| Packaging unit - Weight (pound) | 0.93 lb |
| Packaging dimension (W x H x D) | 258 mm x 164 mm x 51 mm |
| Packaging dimension (W x H x D) | 10.157 in. x 6.457 in. x 2.008 in. |

Accessories

| P/N | Designation |
|---------------|--|
| 820032-0102-I | Dust protection cover for C6 _A modul pure white |
| 820032-0103-I | Dust protection cover for C6 _A modul light gray |
| 820032-0105-I | Dust protection cover for C6 _A modul yellow |
| 820032-0106-I | Dust protection cover for C6 _A modul blue |
| 820032-0107-I | Dust protection cover for C6 _A modul green |
| 820032-0108-I | Dust protection cover for C6 _A modul red |
| 820032-0129-I | Dust protection cover for C6 _A modul black |

P | Cabling

Data sheet

C6_Amodul 90° jack

Page 7/7

P/N
130B13-E

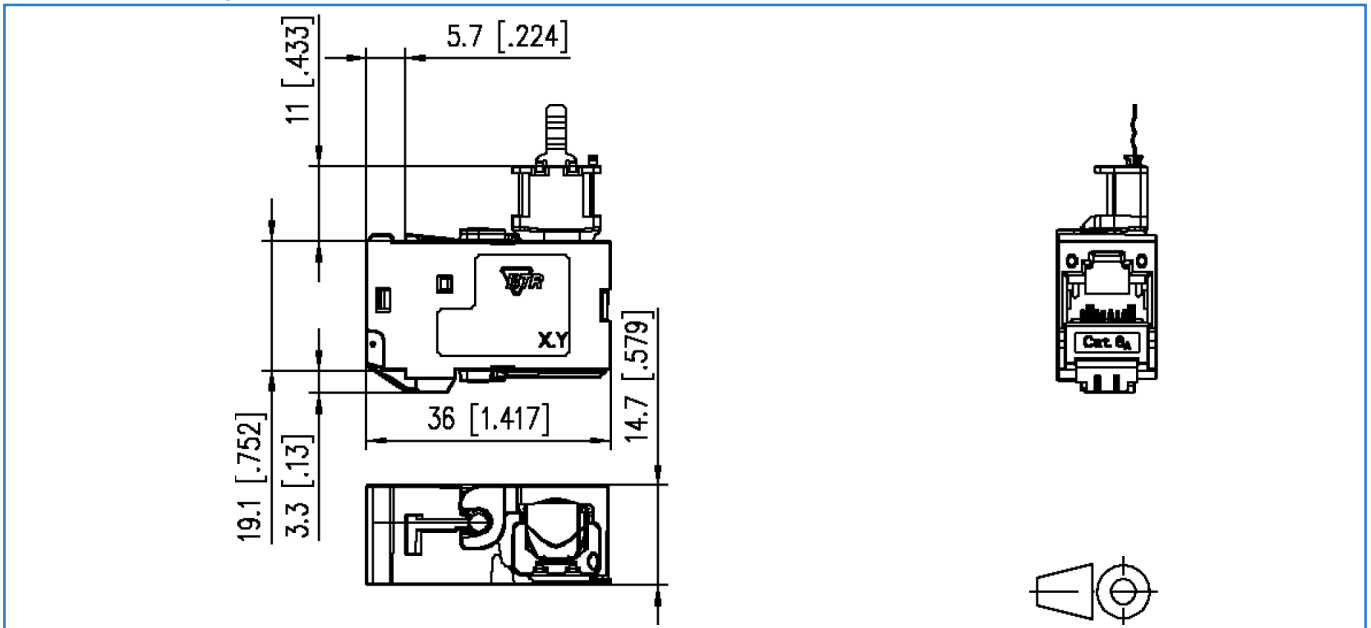
EAN 4250184133445

2020/04/11

Version: AJ

Illustrations

Dimensional drawing



Cut-out

