

Data sheet

UTP modul 8(8) Cat.6_A keystone black

Page 1/6

P/N
130A11-29KI

EAN 4251122179389

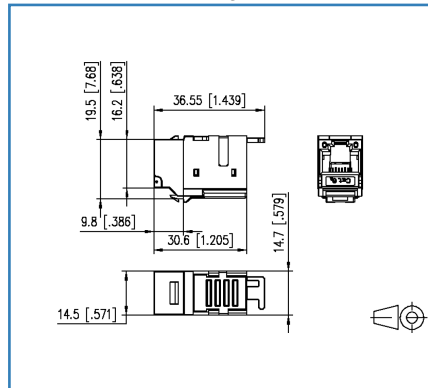
2019/10/25

Version: AB

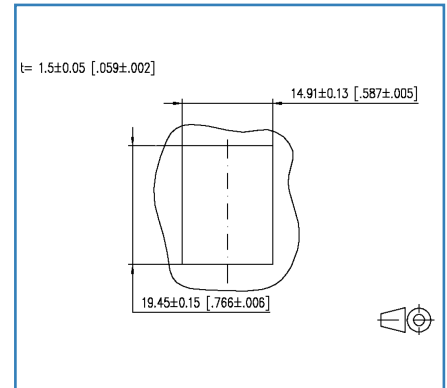
Illustrations



Dimensional drawing



Cut-out



See enlarged drawings at the end of document

Product specification

- unshielded modular termination unit Cat.6_A, RJ45
- component testing for Cat.6_A to ISO/IEC 11801 Ed.2.2:2011-06, DIN EN 50173-1:2011-09, TIA/EIA-568-C.2 (2009-08) and IEC 60603-7-41 Ed.1 (12/2008), certified by GHMT
- component testing for Cat.6A to TIA/EIA-568-C.2 and IEC 60512-27-100, certified by GHMT
- compliance with class E_A to ISO/IEC 11801 Ed.2.2:2011-06, DIN EN 50173-1:2011-09, certified by GHMT
- tested: component up to 600 MHz, link up to 800 MHz
- suitable for 10 GBit Ethernet (IEEE 802.3an), Remote Powering (PoE, PoE plus, UPoE and 4PPoE) and HDBaseT
- easy to install connection of 2 to 4 pair data cables AWG 26/1 to 22/1 (solid wire) and stranded wires with 7 Cu strands AWG 26/7 to 22/7 (stranded wire) to insulation displacement connectors (IDC)
- marking of conductor assignment T568A and T568B
- easy and rapid insertion of the wire pairs into the UTP stuffer cap
- plastic module housing
- mounting without special tool
- strain relief possible with cable ties at the module
- mounting of colored dust protection covers to the module possible
- design: Keystone
- cable feed 180°
- variants: white and black

UTP modul 8(8) Cat.6_A keystone black

P/N

130A11-29KI

EAN 4251122179389

2019/10/25

Version: AB

Technical Data

General Data

Fields of application	Office
Design	Jack
Shielding	unshielded
Transmission technology	Copper
Wiring	T568A, T568B
Color	black
Dimensions	
Dimension (L x W x H)	36.55 mm x 14.7 mm x 19.5 mm
Dimension (L x W x H)	1.439 in. x 0.579 in. x 0.768 in.
Modularity	yes

Transmission characteristics

Category (ISO)	6 _A
Class (ISO/IEC)	E _A
Category (TIA)	6A
Remote Powering	yes
PoE	IEEE 802.3af
PoE plus	IEEE 802.3at
UPoE	yes
4PPoE	IEEE 802.3bt
HDBaseT	yes

Connections/interfaces

Connector technology interface 1	IDC-connection
Connector technology interface 2	RJ45-jack
Number of ports interface 2	1
Number of ports interface 2 equipped	1
Number of positions/contacts interface 1	8
Number of positions/contacts interface 2	8P/8C



UTP modul 8(8) Cat.6_A keystone black

P/N

130A11-29KI

EAN 4251122179389

2019/10/25

Version: AB

Technical Data

Connections/interfaces

Termination data, solid wire (min. - max.)

Conductor cross section, solid wire	AWG 26/1 - AWG 22/1
Conductor cross section, solid wire	0.128 mm ² - 0.324 mm ²
Conductor diameter, solid wire (bare copper)	0.409 mm - 0.643 mm
Conductor diameter, solid wire (bare copper)	0.016 in. - 0.025 in.

Termination data, stranded wire (min. - max.)

Conductor cross section, stranded wire	AWG 26/7 - AWG 22/7
Conductor cross section, stranded wire	0.141 mm ² - 0.355 mm ²
Conductor diameter, stranded wire (bare copper)	0.483 mm - 0.762 mm
Conductor diameter, stranded wire (bare copper)	0.019 in. - 0.03 in.

Cable access/outlet	180°
---------------------	------

Electrical characteristics

Current carrying capacity	max. 1 A
Rated voltage	max. 50 V
Contact resistance	max. 20 mOhm
Through resistance	max. 200 mOhm
Insulation resistance	min. 500 MOhm
Dielectric strength conductor-conductor (secondary)	min. 1000 V DC

Mechanical characteristics

Mounting method	snap-in function
Insertion and withdrawal force	max. 20 N
Life - Number of mating cycles	min. 750
Position/mounting of latch - standard installation position	top
strain relief	with cable tie, attached to module

Materials and material properties

Material - Housing	PA 6.6 UL94 V0
Material - Contact	CuSn (tin bronze)
Material - Contact finish	Ni + Au (nickel-gold)
Material - Stuffer cap	PA 6.6 UL94 V0
Material - Strain relief	PA 6.6 UL94 V0
RoHS	compliant



UTP modul 8(8) Cat.6_A keystone black

P/N

130A11-29KI

EAN 4251122179389

2019/10/25

Version: AB

Technical Data

Environmental conditions

Rapid change of temperature	-40°C / -40°F - +70°C / 158°F / 25 cycles t=30 min
Electromagnetic measurement	E1

Certifications

GHMT Type Approval	Component (valid to: 11/2017) 2 Connector Permanent Link, 85 m, Class EA (valid to: 11/2017)
--------------------	--

Approvals

UL listed (file no.)	DUXR.E178484
----------------------	--------------

The product meets the following standards

Generic cabling systems	
General requirements	ANSI/TIA-568-C
Office buildings	ISO/IEC 11801 Ed.2.2: 2011-06 DIN EN 50173-2 ANSI/TIA-568-C
Living units	ISO/IEC 15018 DIN EN 50173-4 ANSI/TIA-570-B
Connectors for electronic equipment	
Free and fixed connectors	DIN EN 60603-7-4:2011-03
Connectors for electronic equipment - Tests and measurements	
Test schedule for connectors	DIN-EN 60512-99-001, Pg. UEL1

Classifications

ETIM 5.0	EC001121
ETIM 6.0	EC001121
ETIM 7.0	EC001121

Packing details

Type of packaging	12 pc(s) / blister packaging
Packaging dimension	300 mm x 200 mm x 20 mm
Packaging dimension	11.811 in. x 7.874 in. x 0.787 in.

UTP modul 8(8) Cat.6_A keystone black

P/N

130A11-29KI

EAN 4251122179389

2019/10/25

Version: AB

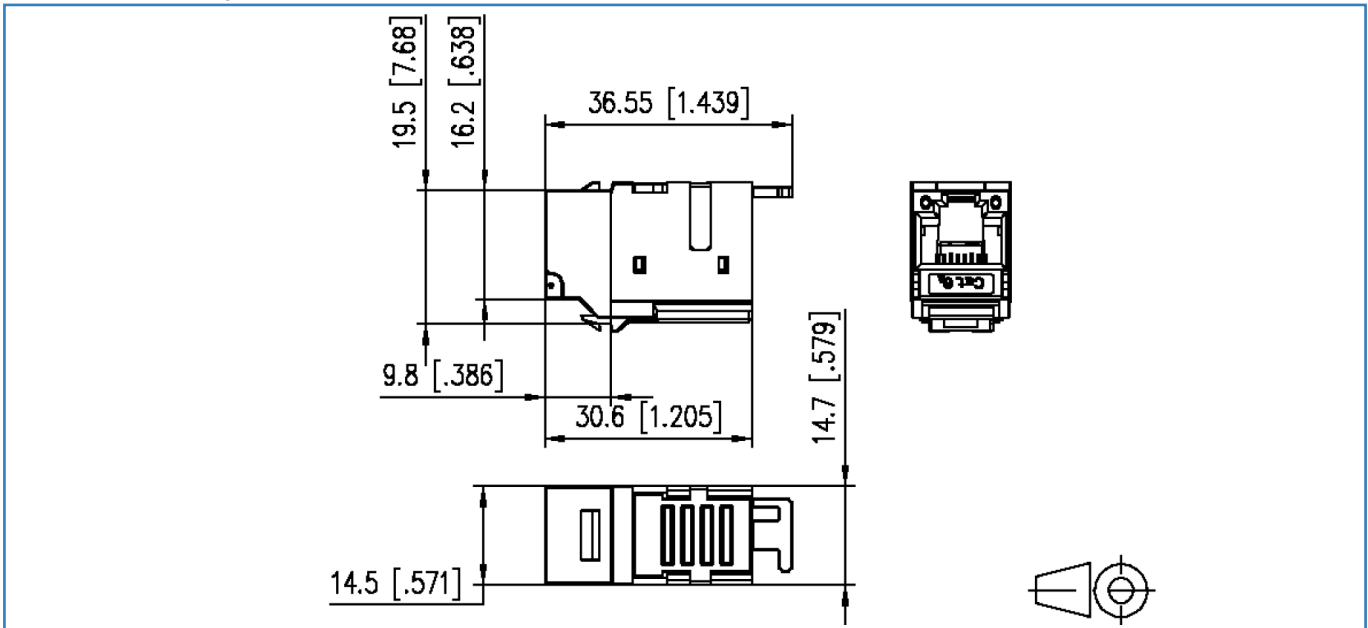
Accessories

P/N	Designation
820032-0102-I	Dust protection cover for C6 _A modul pure white
820032-0103-I	Dust protection cover for C6 _A modul light gray
820032-0105-I	Dust protection cover for C6 _A modul yellow
820032-0106-I	Dust protection cover for C6 _A modul blue
820032-0107-I	Dust protection cover for C6 _A modul green
820032-0108-I	Dust protection cover for C6 _A modul red
820032-0129-I	Dust protection cover for C6 _A modul black



Illustrations

Dimensional drawing



Cut-out

