

Data sheet

UTP modul 8(8) Cat.6 black

Page 1/6

P/N

130A10-29-I-B1

EAN 4250184118381

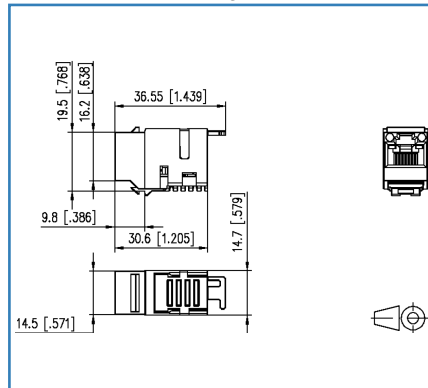
2019/10/25

Version: AH

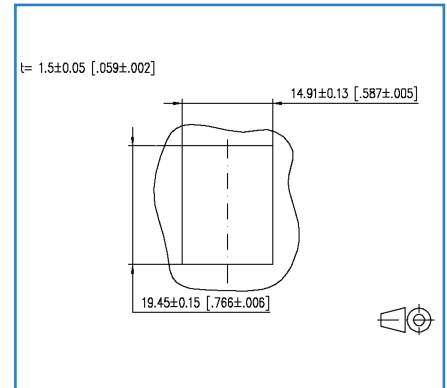
Illustrations



Dimensional drawing



Cut-out



See enlarged drawings at the end of document



Product specification

- unshielded Cat.6 class E UTP module
- suitable for 1 GBit Ethernet (IEEE 802.3an), Remote Powering (PoE, PoE plus, UPoE and 4PPoE) and HDBaseT
- compliance with class E to ISO/IEC 11801 Ed.2.2:2011-06, DIN EN 50173-1:2011-09
- suitable for Remote Powering (PoE, PoE plus and UPoE) and HDBaseT
- easy to install connection of 2 to 4 pair data cables AWG 26/1 to 22/1 (solid wire) and stranded wires with 7 copper conductors AWG 26/7 to 22/7 to insulation displacement connectors (IDC)
- optional strain relief with cable tie at UTP module
- installation shape: Keystone
- variants: designation of conductor colors marking to T568A and T568A, housing colors white or black



Data sheet UTP modul 8(8) Cat.6 black

Page 2/6

P/N
130A10-29-I-B1
EAN 4250184118381
2019/10/25
Version: AH

Technical Data

General Data

Design	Jack
Shielding	unshielded
Transmission technology	Copper
Wiring	T568A, T568B
Color	black
Dimensions	
Dimension (L x W x H)	36.55 mm x 14.7 mm x 19.5 mm
Dimension (L x W x H)	1.439 in. x 0.579 in. x 0.768 in.
Modularity	yes
Labeling option	on housing

Transmission characteristics

Category (ISO)	6
Category (TIA)	6
Remote Powering	yes
PoE	IEEE 802.3af
PoE plus	IEEE 802.3at
UPoE	yes
4PPoE	IEEE 802.3bt
HDBaseT	yes

Connections/interfaces

Connector technology interface 1	IDC-connection
Connector technology interface 2	RJ45-jack
Number of ports interface 2	1
Number of ports interface 2 equipped	1
Number of positions/contacts interface 1	8
Number of positions/contacts interface 2	8P/8C
Termination data, solid wire (min. - max.)	
Conductor cross section, solid wire	AWG 26/1 - AWG 22/1
Conductor cross section, solid wire	0.128 mm ² - 0.324 mm ²
Conductor diameter, solid wire (bare copper)	0.409 mm - 0.643 mm
Conductor diameter, solid wire (bare copper)	0.016 in. - 0.025 in.

Technical Data

Connections/interfaces

Termination data, stranded wire (min. - max.)

AWG 26/7

0.141 mm²

0.483 mm

0.019 in.

Cable access/outlet

180°

Electrical characteristics

Current carrying capacity

max. 1 A

Rated voltage

max. 50 V

Contact resistance

max. 20 mOhm

Through resistance

max. 200 mOhm

Insulation resistance

min. 500 MOhm

Dielectric strength conductor-conductor (secondary)

min. 1000 V DC

Mechanical characteristics

Mounting method

snap-in function

Insertion and withdrawal force

max. 20 N

Life - Number of mating cycles

min. 750

Position/mounting of latch - standard installation position

bottom

strain relief

with cable tie, attached to module

Materials and material properties

Material - Housing

PA 6.6 UL94 V0

Material - Contact

CuSn (tin bronze)

Material - Contact finish

Ni + Au (nickel-gold)

Material - Stuffer cap

PA 6.6 UL94 V0

Material - Strain relief

PA 6.6 UL94 V0

RoHS

compliant



Data sheet UTP modul 8(8) Cat.6 black

Page 4/6

P/N
130A10-29-I-B1
EAN 4250184118381
2019/10/25
Version: AH

Technical Data

Environmental conditions

Temperature (min. - max.)	
Temperature - Storage °C	-40 °C - 70 °C
Temperature - Storage °F	-40 °F - 158 °F
Temperature - Operating °C	-40 °C - 70 °C
Temperature - Operating °F	-40 °F - 158 °F
Rapid change of temperature	-40°C / -40°F - +70°C / 158°F / 25 cycles t=30 min
Electromagnetic measurement	E1

Approvals

UL listed (file no.)



DUXR.E178484

The product meets the following standards

Generic cabling systems	
General requirements	ANSI/TIA-568-C
Office buildings	ISO/IEC 11801 Ed.2.2: 2011-06 DIN EN 50173-2 ANSI/TIA-568-C
Living units	ISO/IEC 15018 DIN EN 50173-4 ANSI/TIA-570-B
Connectors for electronic equipment	
Free and fixed connectors	DIN EN 60603-7-4:2011-03
Connectors for electronic equipment - Tests and measurements	
Test schedule for connectors	DIN-EN 60512-99-001, Pg. UEL1

Classifications

ETIM 5.0	EC001121
ETIM 6.0	EC001121
ETIM 7.0	EC001121

Technical Data

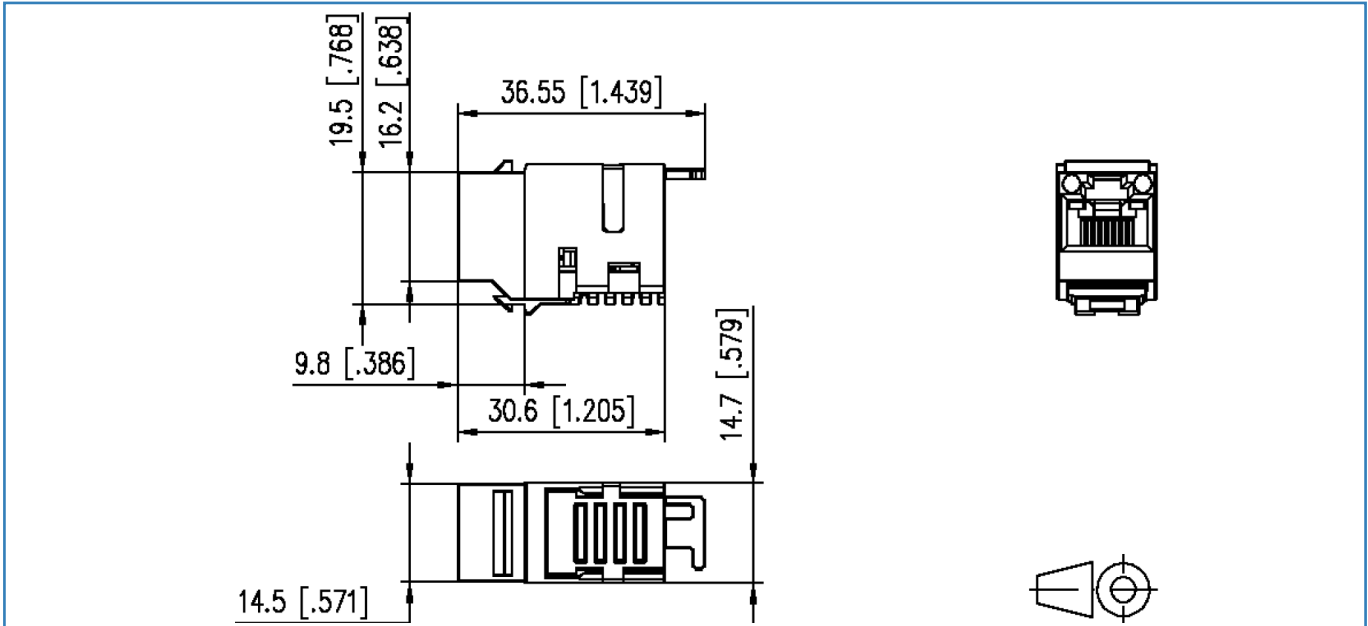
Packing details

Type of packaging	10 pc(s) / box
Packaging unit - Weight (gram)	186 g
Packaging unit - Weight (pound)	0.41 lb
Packaging dimension	258 mm x 164 mm x 51 mm
Packaging dimension	10.157 in. x 6.457 in. x 2.008 in.

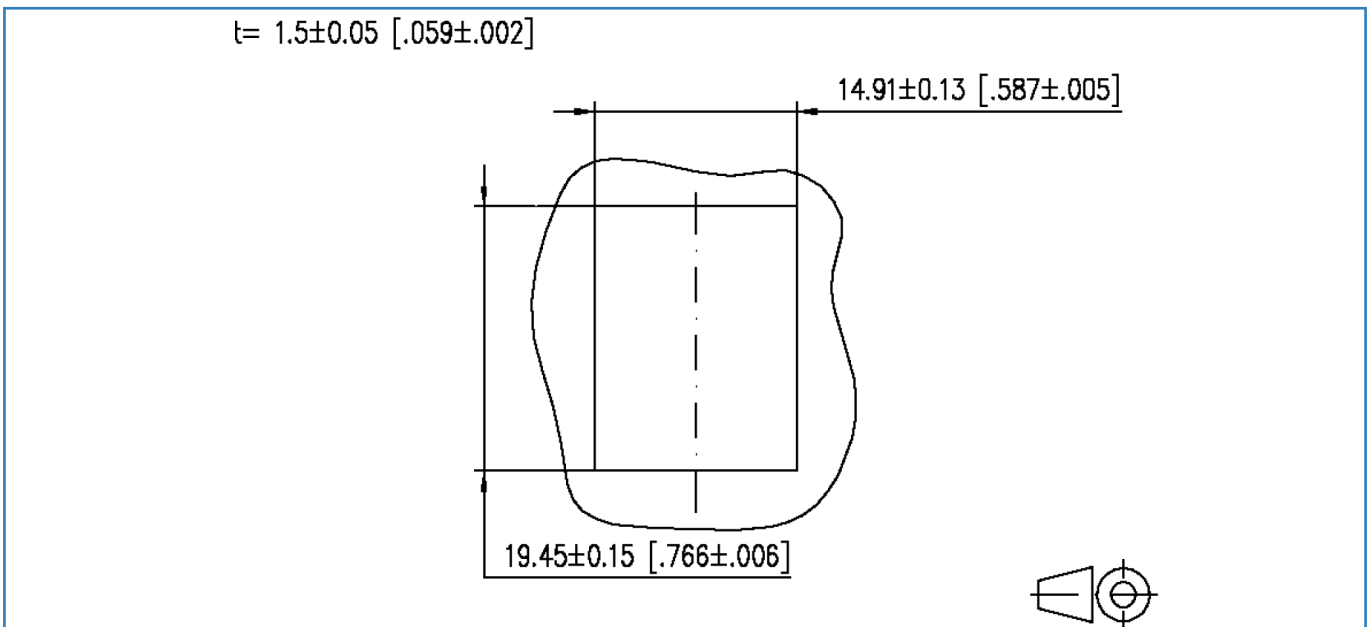


Illustrations

Dimensional drawing



Cut-out



© 2019 METZ CONNECT - Technische Änderungen vorbehalten! Subject to modifications! Sous réserve de modifications techniques!

