

Data sheet

E-DAT modul Coupler 8(8) 180° class E_A

Page 1/8

P/N
1309A0-I

EAN 4250184106616

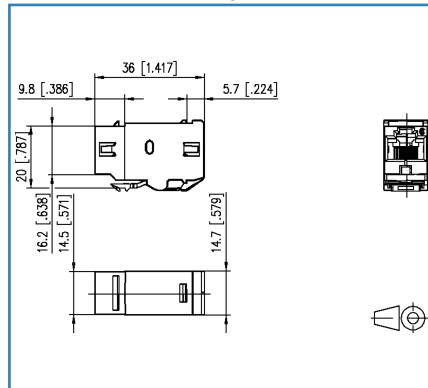
2020/11/02

Version: AL

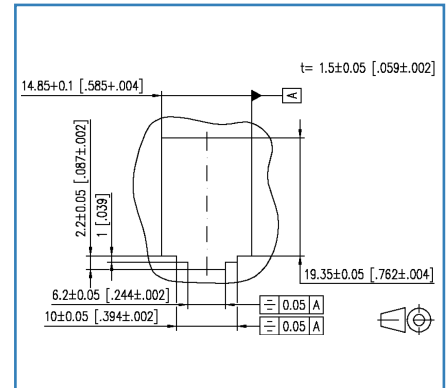
Illustrations



Dimensional drawing



Cut-out



See enlarged drawings at the end of document

Product specification

- RJ45 cable coupler class E_A
- compliance with class E_A to ISO/IEC 11801, DIN EN 50173-1
- suitable for 10 GBit Ethernet (IEEE 802.3an), Remote Powering (PoE, PoE plus and UPoE) and HDBaseT
- fully shielded 180° coupler made of refined zinc die-casting
- especially suitable for consolidation points and cross-connect cabling
- 2 mounting versions in a coupler; fits in module or keystone applications

Suitable applications

for module design

- module wall outlets
- module face plates
- 19 inch module frame
- Modul surface mount housing
- E-DATmodul REG
- Modul REG IP20
- Industry built in flange EBM

for keystone design

- keystone wall outlets
- keystone face plates
- 19 inch keystone frame
- Keystone surface mount housing
- Subway Keystone
- Keystone REG IP20
- Industry built in flange EBK



E-DAT modul Coupler 8(8) 180° class E_A

P/N
1309A0-I

EAN 4250184106616

2020/11/02

Version: AL

Technical Data

General Data	
Design	coupler / adapter (FO)
Shielding	shielded
Transmission technology	Copper
Color	metallike
Dimensions	
Dimension (L x W x H)	36 mm x 14.7 mm x 20 mm
Dimension (L x W x H)	1.417 in. x 0.579 in. x 0.787 in.
Modularity	yes
Labeling option	on housing

Transmission characteristics	
Class (ISO/IEC)	E _A
Remote Powering	yes
PoE	IEEE 802.3af
PoE plus	IEEE 802.3at
UPoE	yes
HDBaseT	yes
Transmission rate up to 10 GBit	IEEE 802.3an

Connections/interfaces	
Connector technology interface 1	RJ45-jack
Connector technology interface 2	RJ45-jack
Number of ports interface 1	1
Number of ports interface 2	1
Number of equipped ports interface 1	1
Number of ports interface 2 equipped	1
Number of positions/contacts interface 1	8P/8C
Number of positions/contacts interface 2	8P/8C

Electrical characteristics	
Current carrying capacity	max. 1 A
Rated voltage	max. 50 V
Contact resistance	max. 20 mOhm
Insulation resistance	min. 500 MOhm

E-DAT modul Coupler 8(8) 180° class E_A

P/N
1309A0-I

EAN 4250184106616

2020/11/02

Version: AL

Technical Data

Mechanical data

Mounting method	snap-in function
Insertion and withdrawal force	max. 20 N
Position/mounting of latch - standard installation position	top

Materials and material properties

Material - Housing	GD-Zn (zinc die-cast)
Material - Contact	CuSn (tin bronze)
Material - Contact finish	Ni + Au (nickel-gold)
Material - Finish	Ni (nickel)
RoHS	compliant
REACH - substance (SVHC)	none

Environmental conditions

Temperature (min. - max.)	
Temperature - Storage °C	-40 °C - 70 °C
Temperature - Storage °F	-40 °F - 158 °F
Temperature - Operating °C	-40 °C - 70 °C
Temperature - Operating °F	-40 °F - 158 °F
Rapid change of temperature	-40°C / -40°F - +70°C / 158°F / 25 cycles t=30 min
Electromagnetic measurement	E2

Approvals

CE	compliant	
UL listed (file no.)		DUXR.E178484



The product meets the following standards

Generic cabling systems	
General requirements	ISO/IEC 11801-1 DIN EN 50173-1
Office buildings	ISO/IEC 11801-2 DIN EN 50173-2
Industrial area	ISO/IEC 11801-3 DIN EN 50173-3
Living units	ISO/IEC 11801-4 DIN EN 50173-4
Data centers	ISO/IEC 11801-5 DIN EN 50173-5

Technical Data

The product meets the following standards

Generic cabling systems	
Distributed building services	ISO/IEC 11801-6 DIN EN 50173-6
Connectors for electronic equipment	
Free and fixed connectors	DIN EN 60603-7-5
Connectors for electronic equipment - Tests and measurements	
Test schedule for connectors	DIN-EN 60512-99-001

Classifications

ETIM 5.0	EC001134
ETIM 6.0	EC001134
ETIM 7.0	EC001134

Packing details

Type of packaging	10 pc(s) / box
Packaging unit - Weight (gram)	371 g
Packaging unit - Weight (pound)	0.82 lb
Packaging dimension	258 mm x 164 mm x 51 mm
Packaging dimension	10.157 in. x 6.457 in. x 2.008 in.



E-DAT modul Coupler 8(8) 180° class E_A

P/N
1309A0-I

EAN 4250184106616

2020/11/02

Version: AL

Zubehör von

P/N	Designation
130861-0202-E	Modul surface mount housing 2 port pure white, unequipped
130861-0202KE	Keystone surface mount housing 2 port pure white, unequipped
130861-0302-E	Modul surface mount housing 3 port pure white, unequipped
130861-0302KE	Keystone surface mount housing 3 port pure white, unequipped
130861-0402-E	Modul surface mount housing 4 port pure white, unequipped
130861-0402KE	Keystone surface mount housing 4 port pure white, unequipped
130861-0602-E	Modul surface mount housing 6 port pure white, unequipped
130861-0602KE	Keystone surface mount housing 6 port pure white, unequipped
130861-0802-E	Modul surface mount housing 8 port pure white, unequipped
130861-0802KE	Keystone surface mount housing 8 port pure white, unequipped
130861-1202-E	Modul surface mount housing 12 port pure white, unequipped
130861-1202KE	Keystone surface mount housing 12 port pure white, unequipped
130861-1602-E	Modul surface mount housing 16 port pure white, unequipped
130861-1602KE	Keystone surface mount housing 16 port pure white, unequipped
130861-2402-E	Modul surface mount housing 2x12 port pure white, unequipped
130861-2402KE	Keystone surface mount housing 2x12 port pure white, unequipped
1309141002-E	Modul wall outlet UP 1 port pure white unequipped
1309141102-E	Modul wall outlet UPk 1 port pure white unequipped
1309141200-E	Modul wall outlet UP0 3 port unequipped
1309150102-E	Modul wall outlet APFL 2 port pure white unequipped
1309151002-E	Modul wall outlet UP 2 port pure white unequipped
1309151102-E	Modul wall outlet UPk 2 port pure white unequipped
1309151200-E	Modul wall outlet UP0 2 port unequipped
1309161002-E	Modul wall outlet UP 3 port pure white unequipped
1309161102-E	Modul wall outlet UPk 3 port pure white unequipped
130920-00-E	Modul 19 inch module frame 1RU 24 Port light gray unequipped, shielded
130920-BK-E	Modul 19 inch module frame 1RU 24 port black unequipped, shielded
130921-00-E	Modul 19 inch module frame 1RU 24 port stainless steel unequipped
130924-00-E	Modul 19 inch module frame 1.5RU 48 port stainless steel unequipped
130927-1200-E	SmartConnect Patchpanel 12 ports MC module
130927-1600-E	SmartConnect Patchpanel 16 ports MC module
130927-2400-E	SmartConnect Patchpanel 24 ports MC module
1309350301-E	Subway underfloor unit GB2 Modul 3 port

E-DAT modul Coupler 8(8) 180° class E_A

P/N
1309A0-I

EAN 4250184106616

2020/11/02

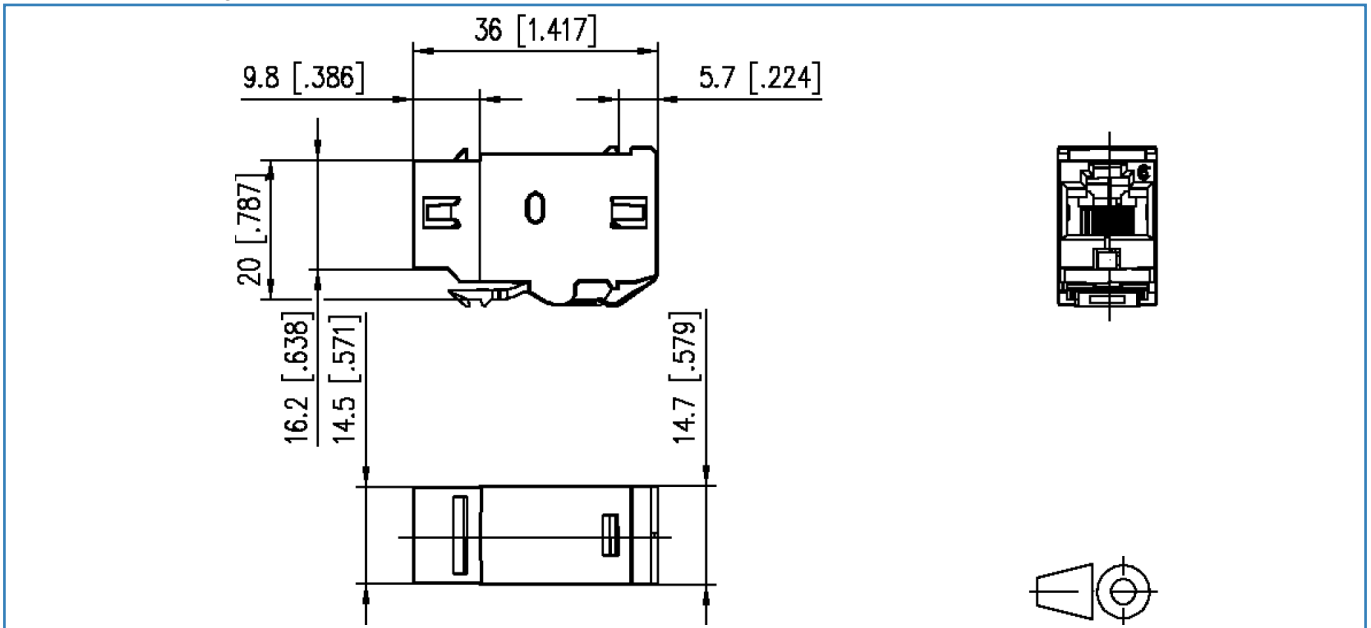
Version: AL

Zubehör von

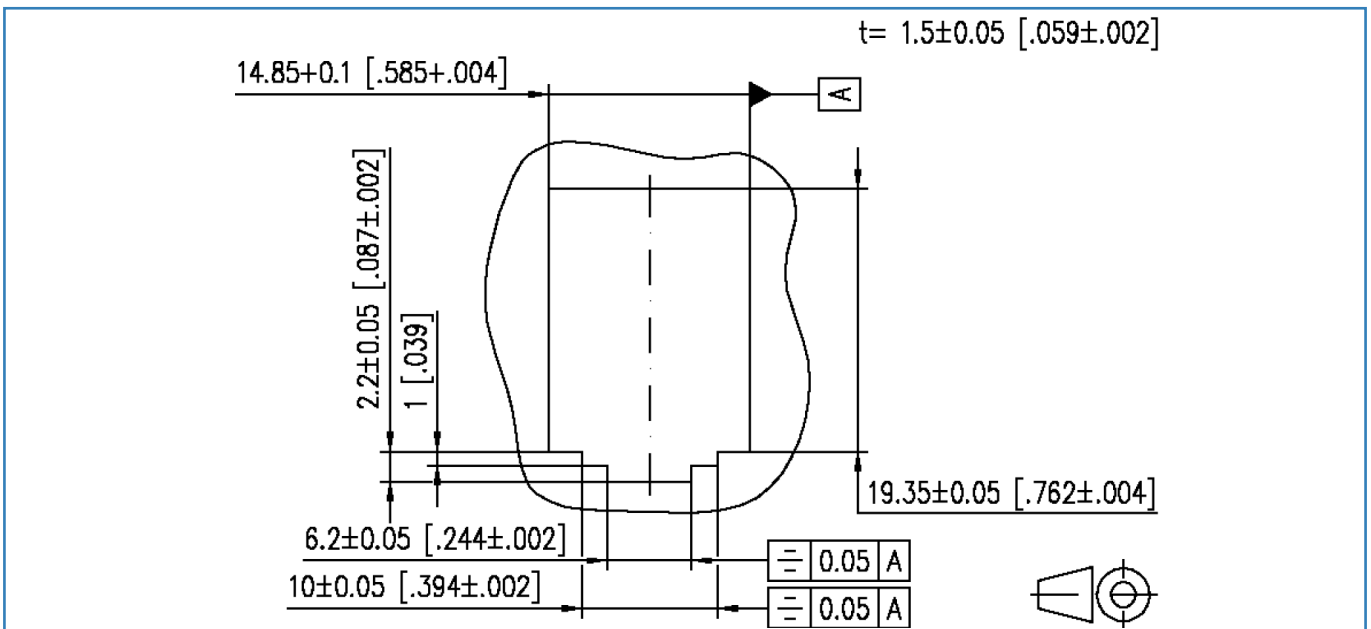
1309350601-E	Subway underfloor unit GB2 Modul 6 port unequipped pearl white
1309350901-E	Subway underfloor unit GB2 Modul 9 port unequipped pearl white
1309360301-E	Subway underfloor unit GB3 Modul 3 port unequipped pearl white
1309360601-E	Subway underfloor unit GB3 Modul 6 port unequipped pearl white
1309360901-E	Subway underfloor unit GB3 Modul 9 port unequipped pearl white
1309361201-E	Subway underfloor unit GB3 Modul 12 port unequipped pearl white
1309413003-E	E-DAT Industry IP67 V6 EbM
1309413103-E	E-DAT Industry IP67 V6 EbK
1309413203-E	E-DAT Industry IP67 V6 EbM with mounting kit
1309413303-E	E-DAT Industry IP67 V6 EbK with mounting kit
1309426103-E	E-DAT modul REG unequipped IP20 light gray
1309427103-E	Modul REGplus IP20 light gray unequipped
1309430003-E	E-DAT modul IP44 surface mounting housing unequipped
1309460003-I	Modul IP44SG surface mounting housing unequipped
1309461002-I	E-DAT modul IP44SG UP housing pure white unequipped
1309461003-I	E-DAT modul IP44SG UP housing gray unequipped
130B10D10002-E	Modul wall outlet AP 1 port pure white unequipped 43 mm
130B10D20002-E	Modul wall outlet AP 2 port pure white unequipped 43 mm
130B10D30002-E	Modul wall outlet AP 3 port pure white unequipped 43 mm
130B10E2E-E	Modul module frame 3RU, 7HP 6 port stainless steel unequipped
130B20E2E-E	Keystone module frame 3RU, 7HP 6 port stainless steel unequipped

Illustrations

Dimensional drawing

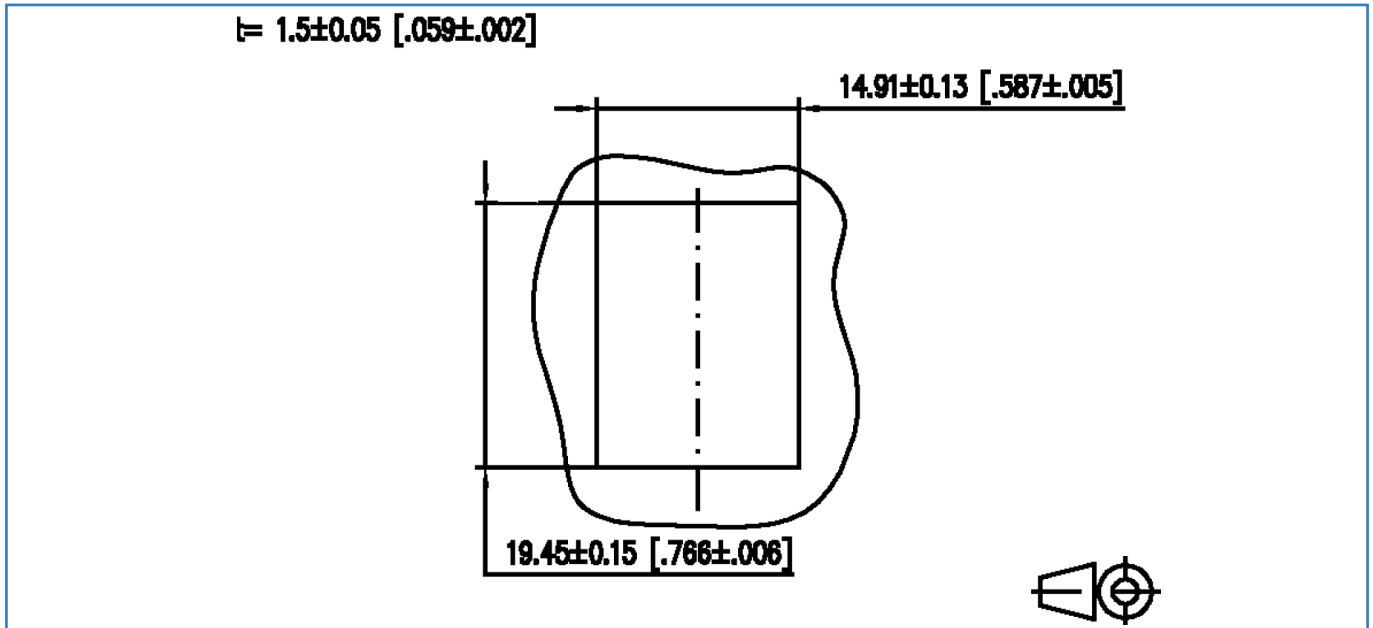


Cut-out



Illustrations

Cut-out



© 2020 METZ CONNECT - Technische Änderungen vorbehalten! Subject to modifications! Sous réserve de modifications techniques!