

Data sheet

Modul 19 inch module frame 1RU 24 Port light gray unequipped, shielded

P/N
130920-00-E

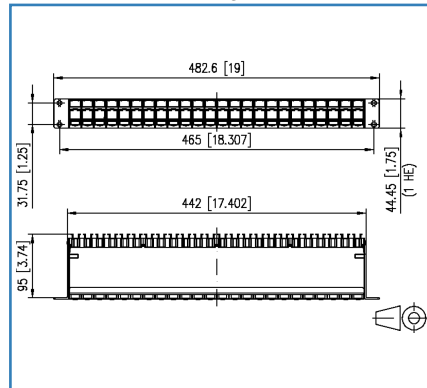
EAN 4250184106111

2018-15-02

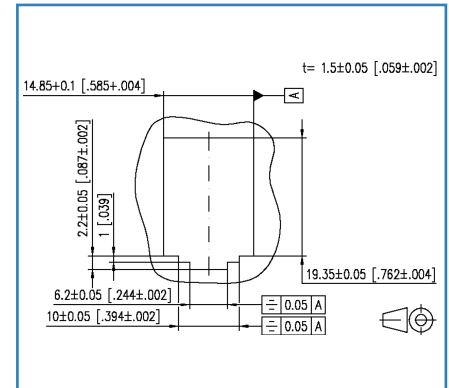
Illustrations



Dimensional drawing



Cut-out



See enlarged drawings at the end of document



Product specification

- 19 inch 1RU module frame for 24 individual modules; Modul design
- module frame front made of silver anodized aluminum
- plastic module support with dust protection covers (other colors available as accessory); detachable to the front
- integrated cable support with optional strain relief
- label window for enclosed identification labels
- label sheet 210 x 297 mm see accessory
- grounding bolt M6 x 10 with nut and lock washer
- incl. 30 cm grounding cable
- all fully shielded modules connected by means of grounding rail

Data sheet

Page 2/5

Modul 19 inch module frame 1RU 24 Port light gray unequipped, shielded

P/N
130920-00-E

EAN 4250184106111

2018-15-02

Technical Data

General Data

Fields of application	Office
Design	patch panel
Shielding	shielded
Color	light gray
Dimensions	
Dimension (L x W x H)	95.00 x 482.60 x 44.45 mm
Dimension (L x W x H)	3.74 x 19.00 x 1.75 in.
Inches	19 inches
Height unit	1RU
Modularity	yes
Labeling option	label window with identification label + printed numbers

Connections/interfaces

Number of ports interface 1	24
Number of equipped ports interface 1	0
Number of ports interface 2	24
Number of ports interface 2 equipped	0
Grounding wire length	0.30 m
Grounding wire length	0.98 ft
Ground connection	grounding bolt M6x10 with nut and lock washer

Mechanical characteristics

Cut-out	Modul
strain relief	yes

Materials and material properties

Material - Subrack	Al (Aluminium)
Material - Subrack finish	silver anodized
Material - Module support	ABS
Material - Cable guide	ABS
Material - Dust protection	ABS
Material - Label window	ABS, transparent



Data sheet

Page 3/5

Modul 19 inch module frame 1RU 24 Port light gray unequipped, shielded

P/N
130920-00-E

EAN 4250184106111

2018-15-02

Technical Data

Environmental conditions

Temperature (min. - max.)

Temperature - Storage °C -40 - 70 °C

Temperature - Storage °F -40 - 158 °F

Temperature - Operating °C -40 - 70 °C

Temperature - Operating °F -40 - 158 °F

Approvals

RoHS compliant

UL listed (file no.)



Classifications

ETIM 5.0 EC001128

ETIM 6.0 EC001128

Packing details

Type of packaging 1 pc(s) / box

Packaging unit - Weight (gram) 750.00 g

Packaging unit - Weight (pound) 1.65 lb

Packaging dimension (W x H x D) 520.00 x 180.00 x 46.00 mm

Packaging dimension (W x H x D) 20.472 x 7.087 x 1.811 in.



Data sheet

Page 4/5

Modul 19 inch module frame 1RU 24 Port light gray unequipped, shielded

P/N

130920-00-E

EAN 4250184106111

2018-15-02

Accessories

P/N	Designation
130792	Mounting kit, cage nuts M6
816979-0105-I	Dust protection covers for Modul patch panels subway / REG yellow
816979-0106-I	Dust protection covers for Modul patch panels subway / REG blue
816979-0107-I	Dust protection covers for Modul patch panels subway / REG green
816979-0108-I	Dust protection covers for Modul patch panels subway / REG red
130910-I	E-DAT modul Cat.6 _A 8(8) jack, T568A
899011-01	Label sheet for Modul patch panels / REG
1309A0-I	E-DAT modul Coupler 8(8) 180° Cat.6
130910-I-B1	E-DAT modul Cat.6 _A 8(8) jack, T568B
130B11-E	C6 _A modul 180° jack
130910-Z	E-DAT modul Cat.6 _A 8(8) jack, T568A (12 pcs)



Data sheet

Page 5/5

**Modul 19 inch module frame 1RU 24 Port light gray
unequipped,
shielded**

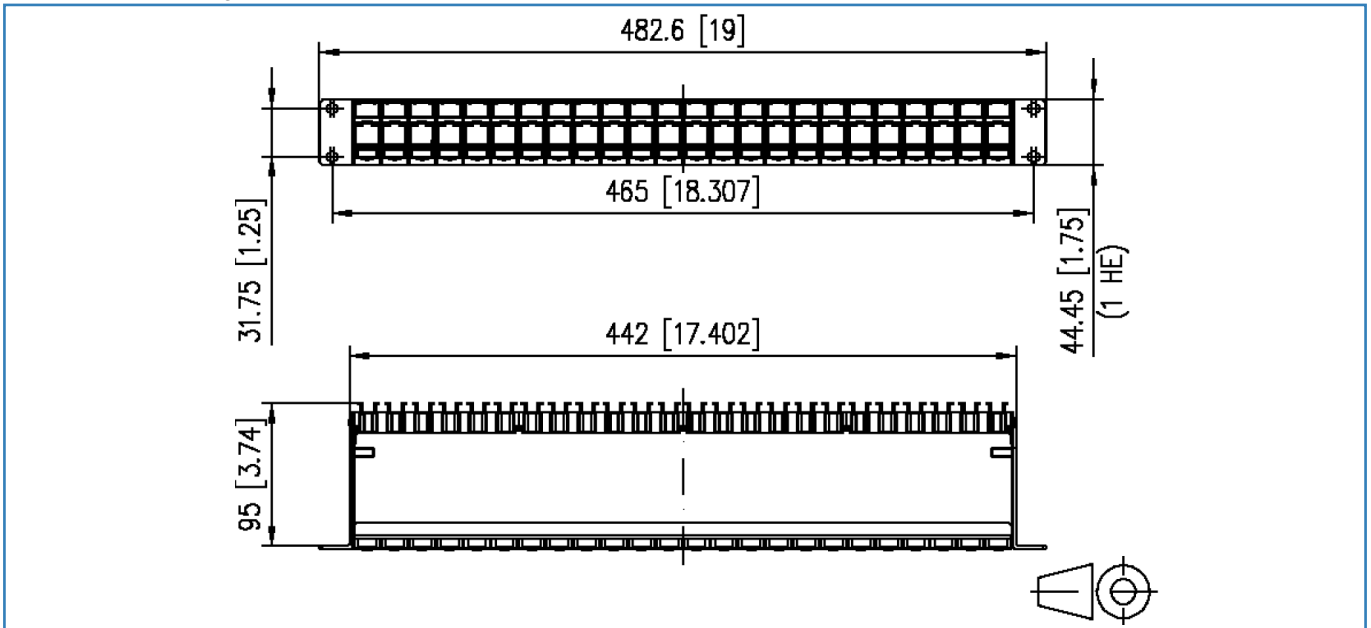
P/N
130920-00-E

EAN 4250184106111

2018-15-02

Illustrations

Dimensional drawing



Cut-out

