

## Data sheet

### Modul wall outlet APFL 2 port pure white unequipped

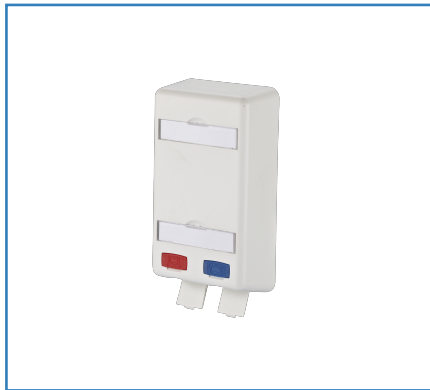
P/N

1309150102-E

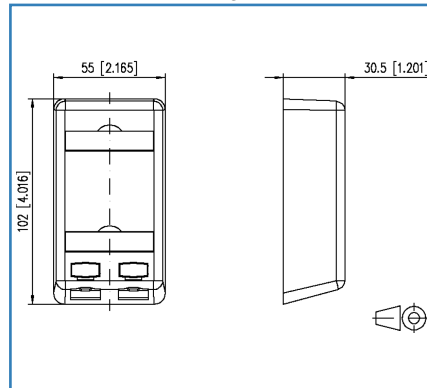
EAN 4250184111238

2018-15-02

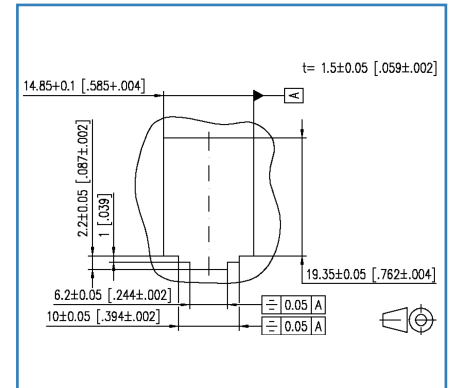
## Illustrations



Dimensional drawing



Cut-out



See enlarged drawings at the end of document

## Product specification

- flat surface-mounted housing for two individual modules in Modul design (E-DAT modul, C6<sub>A</sub> modul)
- label window for identification labels (labels included in the delivery)
- mounting in underfloor false floors
- colored coding of the ports (red/blue)
- ideal for implementing consolidation points



## Modul wall outlet APFL 2 port pure white unequipped

P/N

1309150102-E

EAN 4250184111238

2018-15-02

### Technical Data

#### General Data

Fields of application	Office
Design	Wall outlet
Mounting style	APFL
Color	pure white
Dimensions	
Dimension (L x W x H)	30.50 x 55.00 x 102.00 mm
Dimension (L x W x H)	1.201 x 2.165 x 4.016 in.
Modularity	yes
Labeling option	label window with identification label
Marking option	by port coding

#### Connections/interfaces

Number of ports interface 2	2
Number of ports interface 2 equipped	0
Module plug-in direction	straight downwards

#### Mechanical characteristics

Cut-out	Modul
---------	-------

#### Materials and material properties

Material - Supporting frame	stainless steel
Material - Cover part(s)	ABS
Material - Label window	ABS, transparent
Material - Dust protection	ABS

#### Approvals

RoHS	compliant
UL listed (file no.)	DUXR.E178484

#### Classifications

ETIM 5.0	EC001264
ETIM 6.0	EC001264



## Modul wall outlet APFL 2 port pure white unequipped

P/N

1309150102-E

EAN 4250184111238

2018-15-02

### Technical Data

#### Packing details

Type of packaging	1 pc(s) / box
Packaging unit - Weight (gram)	125.00 g
Packaging unit - Weight (pound)	0.28 lb
Packaging dimension (W x H x D)	86.00 x 44.00 x 141.50 mm
Packaging dimension (W x H x D)	3.386 x 1.732 x 5.571 in.



## Modul wall outlet APFL 2 port pure white unequipped

P/N

1309150102-E

EAN 4250184111238

2018-15-02

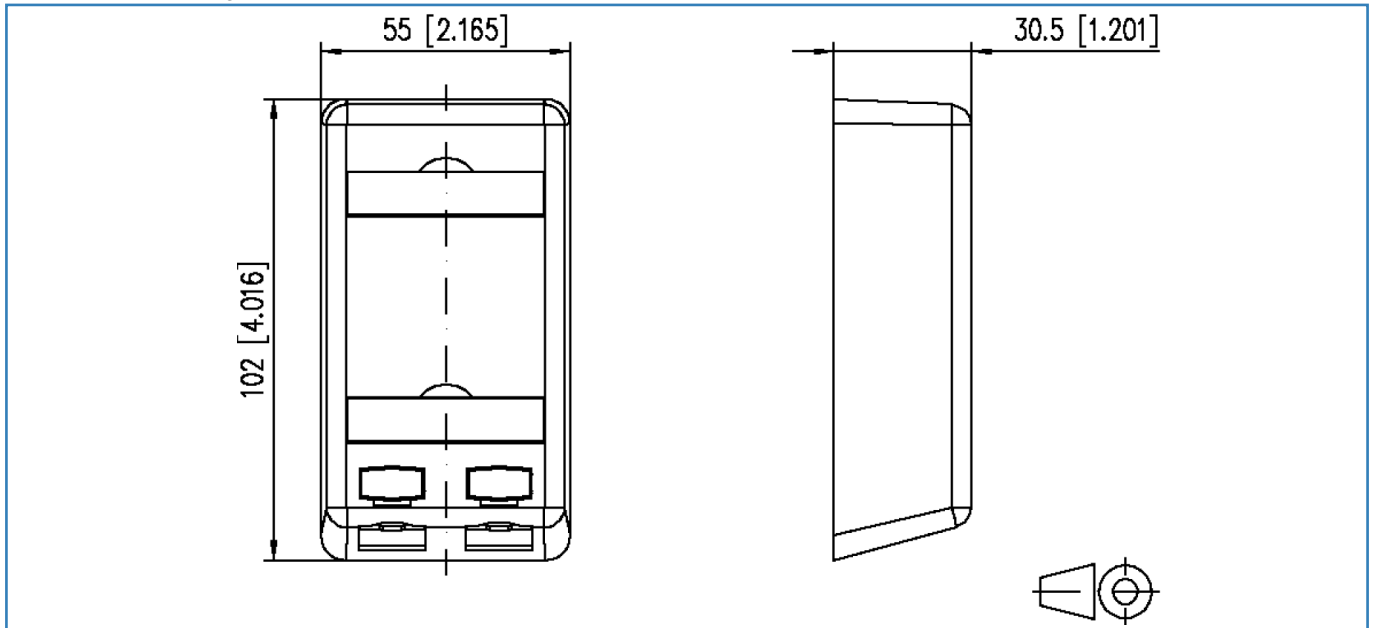
### Accessories

P/N	Designation
816979-0105-I	Dust protection covers for Modul patch panels subway / REG yellow
816979-0106-I	Dust protection covers for Modul patch panels subway / REG blue
816979-0107-I	Dust protection covers for Modul patch panels subway / REG green
816979-0108-I	Dust protection covers for Modul patch panels subway / REG red
130910-I	E-DAT modul Cat.6 <sub>A</sub> 8(8) jack, T568A
1309A0-I	E-DAT modul Coupler 8(8) 180° Cat.6
130910-I-B1	E-DAT modul Cat.6 <sub>A</sub> 8(8) jack, T568B
130B11-E	C6 <sub>A</sub> modul 180° jack
130910-Z	E-DAT modul Cat.6 <sub>A</sub> 8(8) jack, T568A (12 pcs)



Illustrations

Dimensional drawing



Cut-out

