

## Data sheet

### E-DAT modul 1 port AP Cat.6<sub>A</sub>, pure white

Page 1/8

P/N

1309110002-E

EAN 4250184105534

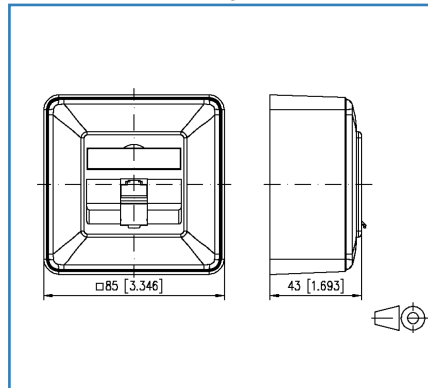
2019/10/29

Version: AD

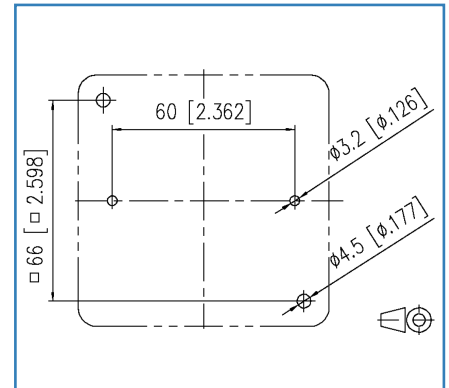
## Illustrations



Dimensional drawing



Cut-out



See enlarged drawings at the end of document



## Product specification

- surface-mount termination unit with E-DAT modul
- component testing for Cat.6<sub>AA</sub> to ISO/IEC 11801 Ed.2.2:2011-06, DIN EN 50173-1:2011-09, TIA/EIA-568-C.2 (2009-08) and IEC 60603-7-51 Ed.1 (12/2008), certified to GHMT
- compliance with class E<sub>A</sub> up to 500 MHz to ISO/IEC 11801 Ed.2.2:2011-06, DIN EN 50173-1:2011-09
- tested: component up to 500 MHz
- suitable for 10 GBit Ethernet (IEEE 802.3an), Remote Powering (PoE, PoE plus, UPoE and 4PPoE) and HDBaseT
- easy to install connection of 2 to 4-pair data lines AWG 26/1 - 22/1 and stranded wires with 7 copper conductors AWG 26/7 - 22/7 to BTR 8-fold insulation displacement connectors (IDC)
- marking of conductor assignment to T568A or T568B
- module plug direction 45° downwards
- strain relief with cable tie at the module
- with label window for enclosed identification labels
- label sheet 209 x 294 mm see accessory
- integrated dust protection covers (also colored)
- cover parts in pearl white RAL 1013 or pure white RAL 9010, structured surface with matt finish
- variants: 1 port, 2 ports, 3 ports
- color variants: pure white or pearl white



### Technical Data

#### General Data

Fields of application	Office
Design	wall outlet
Mounting style	surface mount
Shielding	shielded
Transmission technology	Copper
Color	Pure white
Dimensions	
Dimension (L x W x H)	43 mm x 85 mm x 85 mm
Dimension (L x W x H)	1.693 in. x 3.346 in. x 3.346 in.
Modularity	yes
Labeling option	label window with identification label
Marking option	by dust protection

#### Transmission characteristics

Category (ISO)	6 <sub>A</sub>
Class (ISO/IEC)	E <sub>A</sub>
Category (TIA)	6A
Remote Powering	yes
PoE	IEEE 802.3af
PoE plus	IEEE 802.3at
UPoE	yes
4PPoE	IEEE 802.3bt
HDBaseT	yes
Transmission rate up to 10 GBit	IEEE 802.3an

#### Connections/interfaces

Connector technology interface 1	IDC-connection
Connector technology interface 2	RJ45-jack
Number of ports interface 2	1
Number of ports interface 2 equipped	1
Number of positions/contacts interface 1	8
Number of positions/contacts interface 2	8P/8C



### Technical Data

#### Connections/interfaces

Termination data, solid wire (min. - max.)

Conductor cross section, solid wire	AWG 26/1 - AWG 22/1
Conductor cross section, solid wire	0.128 mm <sup>2</sup> - 0.324 mm <sup>2</sup>
Conductor diameter, solid wire (bare copper)	0.409 mm - 0.643 mm
Conductor diameter, solid wire (bare copper)	0.016 in. - 0.025 in.

Termination data, stranded wire (min. - max.)

Conductor cross section, stranded wire	AWG 26/7 - AWG 22/7
Conductor cross section, stranded wire	0.141 mm <sup>2</sup> - 0.355 mm <sup>2</sup>
Conductor diameter, stranded wire (bare copper)	0.483 mm - 0.762 mm
Conductor diameter, stranded wire (bare copper)	0.019 in. - 0.03 in.

Module plug-in direction	45° downwards
Shield connection	flexible contact spring

#### Elektrische/ Optische Eigenschaften

Current carrying capacity	max. 1 A
Rated voltage	max. 50 V
Contact resistance	max. 20 mOhm
Through resistance	max. 200 mOhm
Insulation resistance	min. 500 MOhm
Dielectric strength conductor-conductor (secondary)	max. 1000 V DC

#### Mechanical characteristics

Cut-out	module
Insertion and withdrawal force	max. 20 N
Position/mounting of latch - standard installation position	top
strain relief	cable tie

#### Materials and material properties

Material - Housing	Plastics
Material - Surface mount frame	ABS, impact resistant
Material - Cover part(s)	ABS
Material - Supporting frame	GD-Zn (zinc die-cast)
Material - Label window	ABS, transparent
Material - Dust protection	ABS
Material - Contact	CuSn (tin bronze)



### Technical Data

#### Materials and material properties

Material - Contact finish	Ni + Au (nickel-gold)
Material - Shield	GD-Zn (zinc die-cast)
Material - Finish	Ni (nickel)
RoHS	compliant

#### Environmental conditions

Temperature (min. - max.)	
Temperature - Storage °C	-40 °C - 70 °C
Temperature - Storage °F	-40 °F - 158 °F
Temperature - Operating °C	-40 °C - 70 °C
Temperature - Operating °F	-40 °F - 158 °F
Electromagnetic measurement	E2

#### Certifications

GHMT Type Approval	Component (valid to: 11/2019)
--------------------	-------------------------------

#### Approvals

UL listed (file no.)		DUXR.E178484
----------------------	--	--------------

#### The product meets the following standards

Connectors for electronic equipment	
Free and fixed connectors	DIN EN 60603-7-51:2011-01
Connectors for electronic equipment - Tests and measurements	
Test schedule for connectors	DIN-EN 60512-99-001, Pg. UEL1

## E-DAT modul 1 port AP Cat.6A, pure white

P/N

1309110002-E

EAN 4250184105534

2019/10/29

Version: AD

### Technical Data

#### Classifications

ETIM 5.0	EC001264
ETIM 6.0	EC001264
ETIM 7.0	EC001264

#### Packing details

Type of packaging	10 pc(s) / box
Packaging unit - Weight (gram)	1435 g
Packaging unit - Weight (pound)	3.16 lb
Packaging dimension	340 mm x 266 mm x 126 mm
Packaging dimension	13.386 in. x 10.472 in. x 4.961 in.



Data sheet

Page 6/8

## E-DAT modul 1 port AP Cat.6A, pure white

P/N

1309110002-E

EAN 4250184105534

2019/10/29

Version: AD

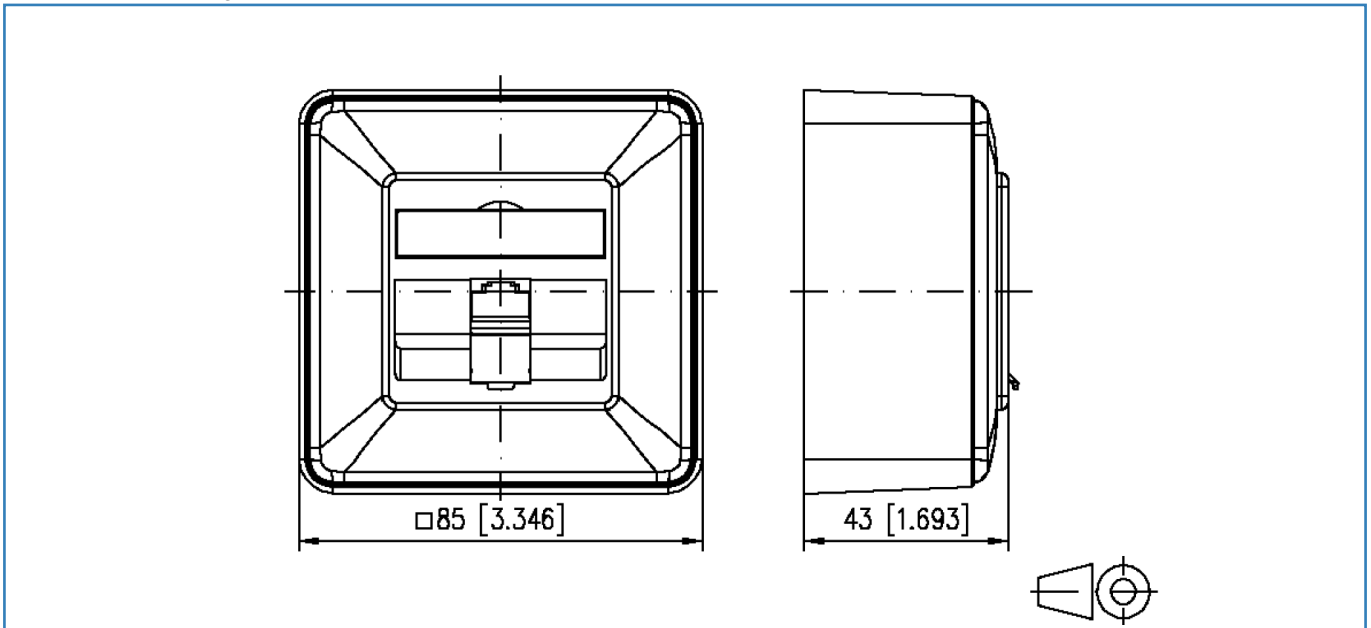
### Accessories

P/N	Designation
130829-02-I	Surface mount frame 85 x 85 mm - Single, pure white
820394-0105-I	Dust protection covers for wall outlets yellow
820394-0106-I	Dust protection covers for wall outlets blue
820394-0107-I	Dust protection covers for wall outlets green
820394-0108-I	Dust protection covers for wall outlets red
820395-0102-I	Cover plate for E-DAT modul and E-DAT design (matt) wall outlets, pure white
899650-01	Label sheet for wall outlets

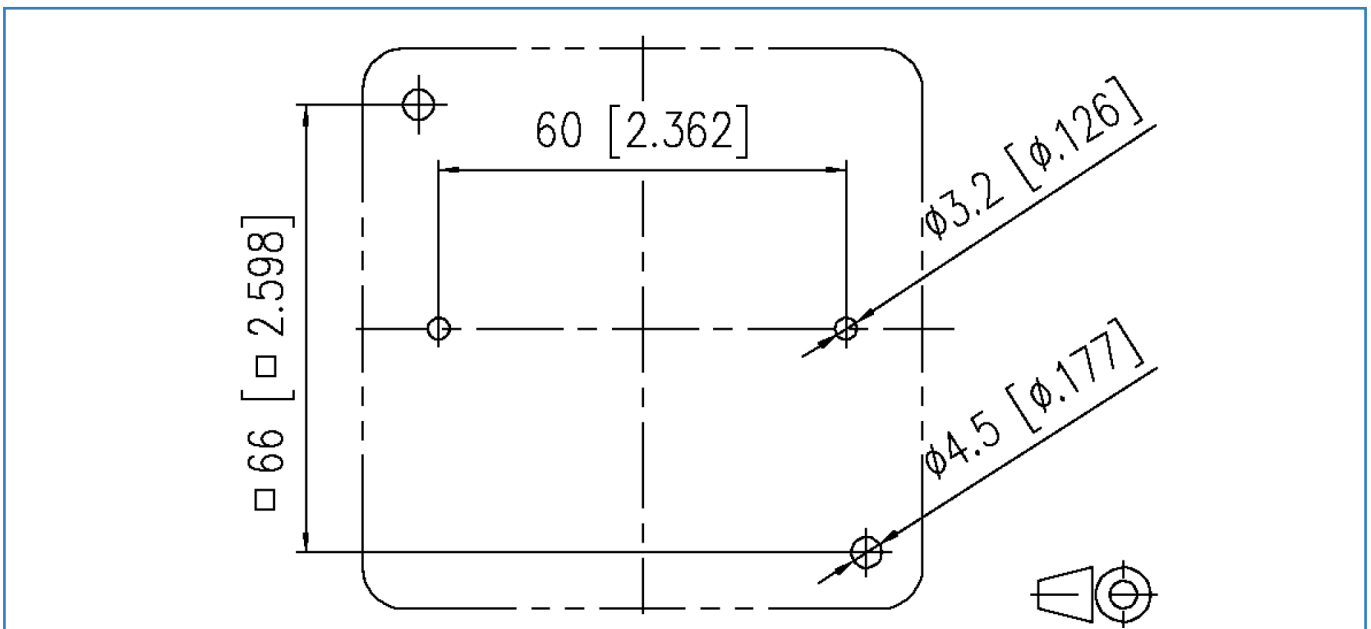


**Illustrations**

Dimensional drawing



Cut-out



# P | Cabling

Data sheet

**E-DAT modul 1 port AP Cat.6A, pure white**

Page 8/8

P/N

1309110002-E

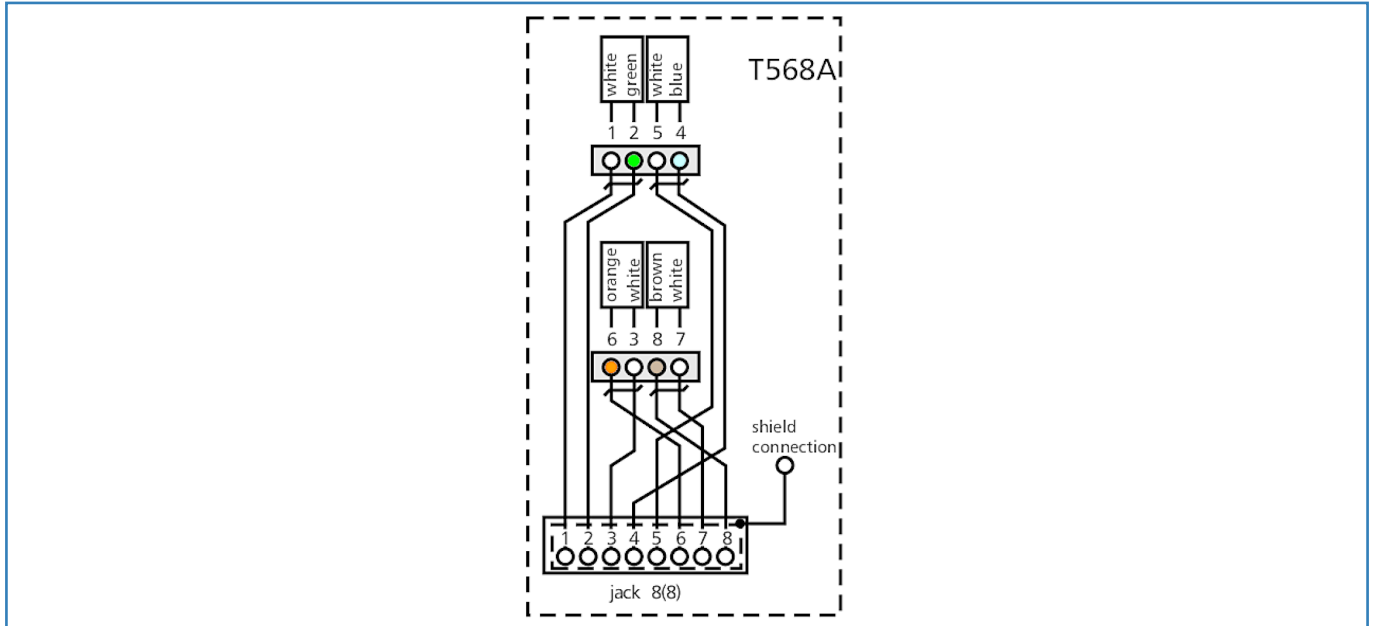
EAN 4250184105534

2019/10/29

Version: AD

## Illustrations

Wiring



© 2019 METZ CONNECT - Technische Änderungen vorbehalten! Subject to modifications! Sous réserve de modifications techniques!

