

## Data sheet

### Keystone surface mount housing 2x12 port pure white, unequipped

P/N

130861-2402KE

EAN 4251122186769

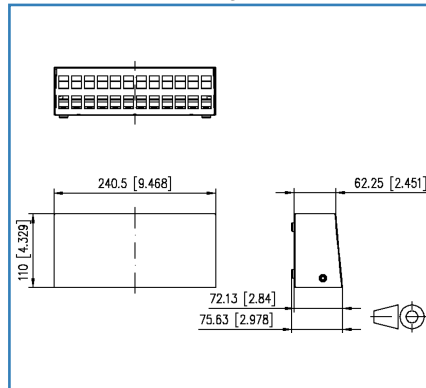
2020/06/10

Version: F

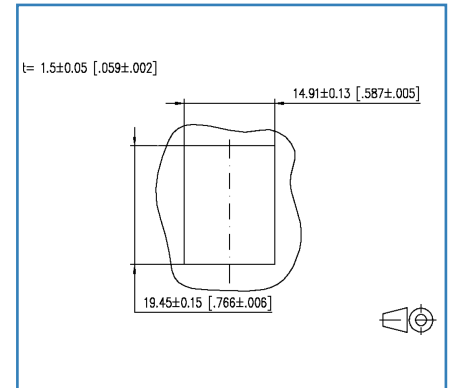
## Illustrations



Dimensional drawing



Cut-out



See enlarged drawings at the end of document

## Product specification

- surface-mounted, unequipped module housing for individual modules, Keystone design
- solid steel sheet housing
- upper part of the housing powder-coated in RAL 9010
- upper part of the housing can be put on and removed easily because no screws are used for fastening
- equipotential bonding possible by means of contact pin
- additional strain relief on lower part of housing using cable ties
- suitable for direct wall mounting, as desktop device and for DIN-rail mounting using the DIN rail adapter mini FS
- bottom of the 3 port and 4 port housing can be removed. Additional fastening by means of 60 mm fastening clearance.
- optionally available and usable in all housings except 2 port: FO extension set for module and keystone surface mount housing: 130861-MSK-E
- optionally available 2x12 housing: Strain relief for patch cords 130861-24ZE-E
- variants: 2, 3, 4, 6, 8, 12, 16 and 2x12 ports



## Keystone surface mount housing 2x12 port pure white, unequipped

P/N

130861-2402KE

EAN 4251122186769

2020/06/10

Version: F

### Technical Data

#### General Data

Fields of application	Office
Design	patch panel
Color	Pure white RAL 9010
Dimensions	
Dimension (L x W x H)	110 mm x 240.5 mm x 75.63 mm
Dimension (L x W x H)	4.331 in. x 9.469 in. x 2.978 in.
Modularity	yes

#### Connections/interfaces

Number of ports interface 1	24
Number of equipped ports interface 1	0
Number of ports interface 2	24
Number of ports interface 2 equipped	0

#### Mechanical data

Cut-out	Keystone
strain relief	cable tie

#### Materials and material properties

Material - Housing	aluminium-zinc sheet
Material - Front cover	aluminium-zinc sheet
Material - Cover	steel
RoHS	compliant

#### Environmental conditions

Temperature (min. - max.)	
Temperature - Storage °C	-40 °C - 70 °C
Temperature - Storage °F	-40 °F - 158 °F
Temperature - Operating °C	-40 °C - 70 °C
Temperature - Operating °F	-40 °F - 158 °F

## Keystone surface mount housing 2x12 port pure white, unequipped

P/N

130861-2402KE

EAN 4251122186769

2020/06/10

Version: F

### Technical Data

#### Classifications

ETIM 6.0	EC001128
ETIM 7.0	EC002006

#### Packing details

Type of packaging	1 pc(s) / box
Packaging unit - Weight (gram)	932 g
Packaging unit - Weight (pound)	2.05 lb
Packaging dimension (W x H x D)	265 mm x 125 mm x 85 mm
Packaging dimension (W x H x D)	10.433 in. x 4.921 in. x 3.346 in.

**Keystone surface mount housing 2x12 port pure white, unequipped**

P/N

**130861-2402KE****EAN 4251122186769**

2020/06/10

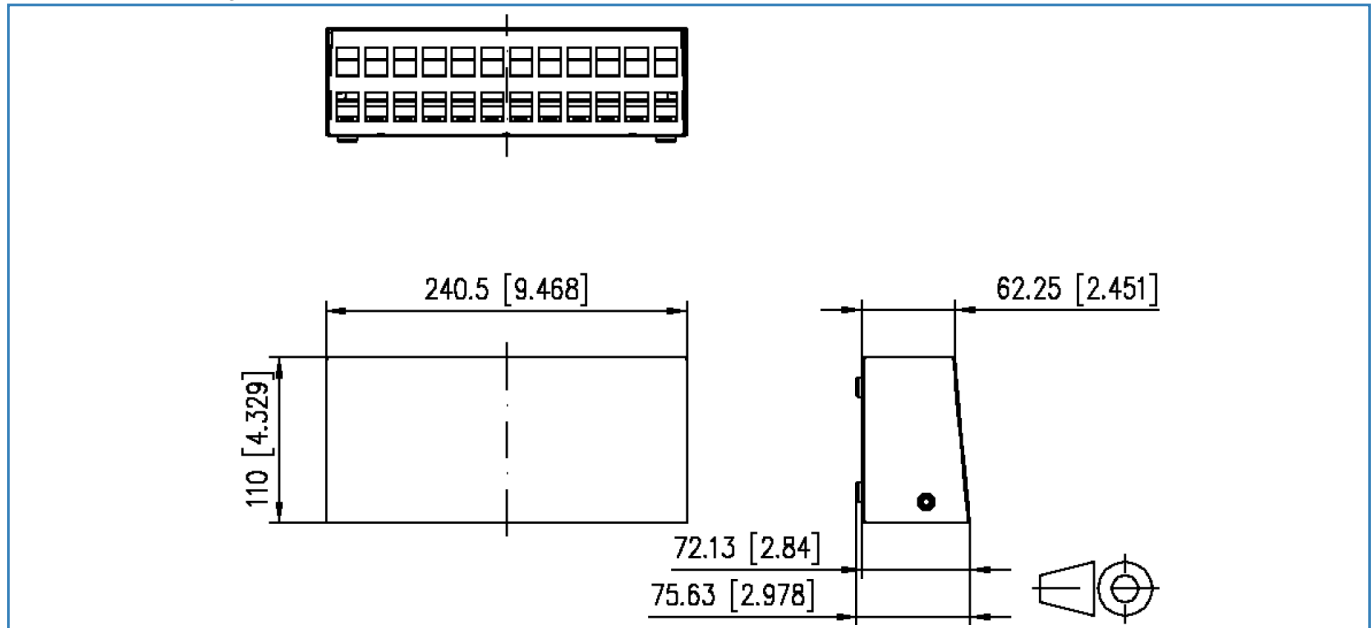
Version: F

**Accessories**

P/N	Designation
130861-MSK-E	FO extension set for module and keystone surface mount housing
130910KI	E-DAT modul Cat.6 <sub>A</sub> K jack - Keystone style
130910KZ	E-DAT modul Cat.6 <sub>A</sub> K jack - Keystone style (12 pcs)
1309A0-I	E-DAT modul Coupler 8(8) 180° Cat.6
130B21-25-E	"25Gmodul - Keystone"
130B21-25-Z	25Gmodul - Keystone style (12 pcs)
130B21-E	C6 <sub>A</sub> modul K 180° jack - Keystone style
130B21-Z	C6 <sub>A</sub> modul K 180° jack - Keystone style (12 Stück)

Illustrations

Dimensional drawing



Cut-out

