

Data sheet

E-DAT C6 24x8(8) 1RU LSA Cat.6 patch panel

Page 1/5

P/N
130855-E

EAN 4250184104124

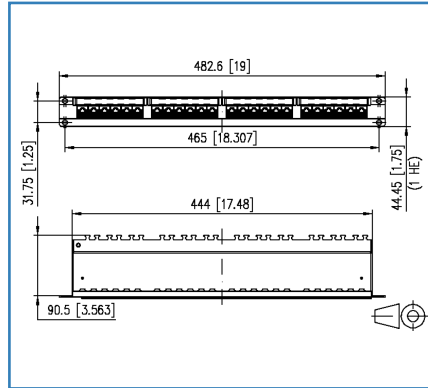
2019/10/25

Version: Y

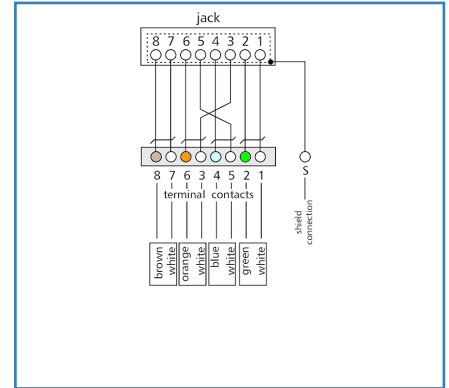
Illustrations



Dimensional drawing



Wiring



See enlarged drawings at the end of document

Product specification

- 19 inch 1RU frame made of silver anodized aluminum with 24 individually shielded RJ45 jacks
- certified to GHMT Cat.6 12C-de-embedded
- compliance with class E_A Channel-Link acc. to ISO/IEC 11801-1, DIN EN 50173-1
- tested: Channel-Link up to 500 MHz
- suitable for 10 GBit Ethernet (IEEE 802.3an), Remote Powering (PoE, PoE plus, UPoE and 4PPoE) and HDBaseT
- wire pairs can be led to the LSA terminal without untwisting the pair
- connection of 2 to 4-pair data lines to LSA insulation displacement connectors (AWG 22-24) conductor colors marking to TIA/EIA 568A
- optional strain relief using cable ties
- modules connected by means of grounding rail



E-DAT C6 24x8(8) 1RU LSA Cat.6 patch panel

P/N
130855-E

EAN 4250184104124

2019/10/25

Version: Y

Technical Data

General Data

Fields of application

Office

Design

patch panel

Mounting style

1RU

Shielding

shielded

Transmission technology

Copper

Wiring

T568A

Color

anodized alu.

Dimensions

Dimension (L x W x H)

90.5 mm x 482.6 mm x 44.45 mm

Dimension (L x W x H)

3.563 in. x 19 in. x 1.75 in.

Inches

19 inches

Height unit

1RU

Transmission characteristics

Category (ISO)

6

Class (ISO/IEC)

E_A

Category (TIA)

6

Remote Powering

yes

PoE

IEEE 802.3af

PoE plus

IEEE 802.3at

UPoE

yes

4PPoE

IEEE 802.3bt

HDBaseT

yes

Transmission rate up to 10 GBit

IEEE 802.3an

Connections/interfaces

Connector technology interface 1

LSA terminal block

Connector technology interface 2

RJ45-jack

Number of ports interface 2

24

Number of ports interface 2 equipped

24

Number of positions/contacts interface 1

24 x 8

Number of positions/contacts interface 2

24 x 8P/8C



E-DAT C6 24x8(8) 1RU LSA Cat.6 patch panel

P/N
130855-E

EAN 4250184104124

2019/10/25

Version: Y

Technical Data

Connections/interfaces

Termination data, solid wire (min. - max.)

Conductor cross section, solid wire	AWG 26/1 - AWG 22/1
Conductor cross section, solid wire	0.128 mm ² - 0.324 mm ²
Conductor diameter, solid wire (bare copper)	0.409 mm - 0.643 mm
Conductor diameter, solid wire (bare copper)	0.016 in. - 0.025 in.
Cable access/outlet	180°
Grounding wire length	0.3 m
Grounding wire length	0.98 ft
Shield connection	flexible contact spring

Electrical characteristics

Current carrying capacity	max. 1 A
Rated voltage	max. 50 V
Contact resistance	max. 20 mOhm
Through resistance	max. 200 mOhm
Insulation resistance	min. 500 MOhm
Dielectric strength conductor-conductor (secondary)	max. 1000 V DC

Mechanical characteristics

Insertion and withdrawal force	max. 20 N
Life - Number of mating cycles	min. 750
Position/mounting of latch - standard installation position	top

Materials and material properties

Material - Terminal block housing	PBT (polybutylene terephthalate)
Material - Jack contact	CuSn (tin bronze)
Material - Jack contact finish	Ni + Au (nickel-gold)
Material - Terminal block contact	CuZn (brass)
Material - Terminal block contact finish	Sn (tin)
Material - Module support	Al (Aluminium)
Material - Module support finish	silver anodized
RoHS	compliant

Technical Data

Environmental conditions

Temperature (min. - max.)

Temperature - Storage Å°C	-40 °C - 70 °C
Temperature - Storage Å°F	-40 °F - 158 °F
Temperature - Operating °C	-40 °C - 70 °C
Temperature - Operating °F	-40 °F - 158 °F
Electromagnetic measurement	E2

Certifications

GHMT Type Approval	Component (valid to: 11/2019)
--------------------	-------------------------------

Approvals

CE	compliant
----	-----------

The product meets the following standards

Generic cabling systems	
General requirements	ISO/IEC 11801-1 DIN EN 50173-1 ANSI/TIA-568-C.2
Connectors for electronic equipment	
Free and fixed connectors	DIN EN 60603-7-51:2011-01

Classifications

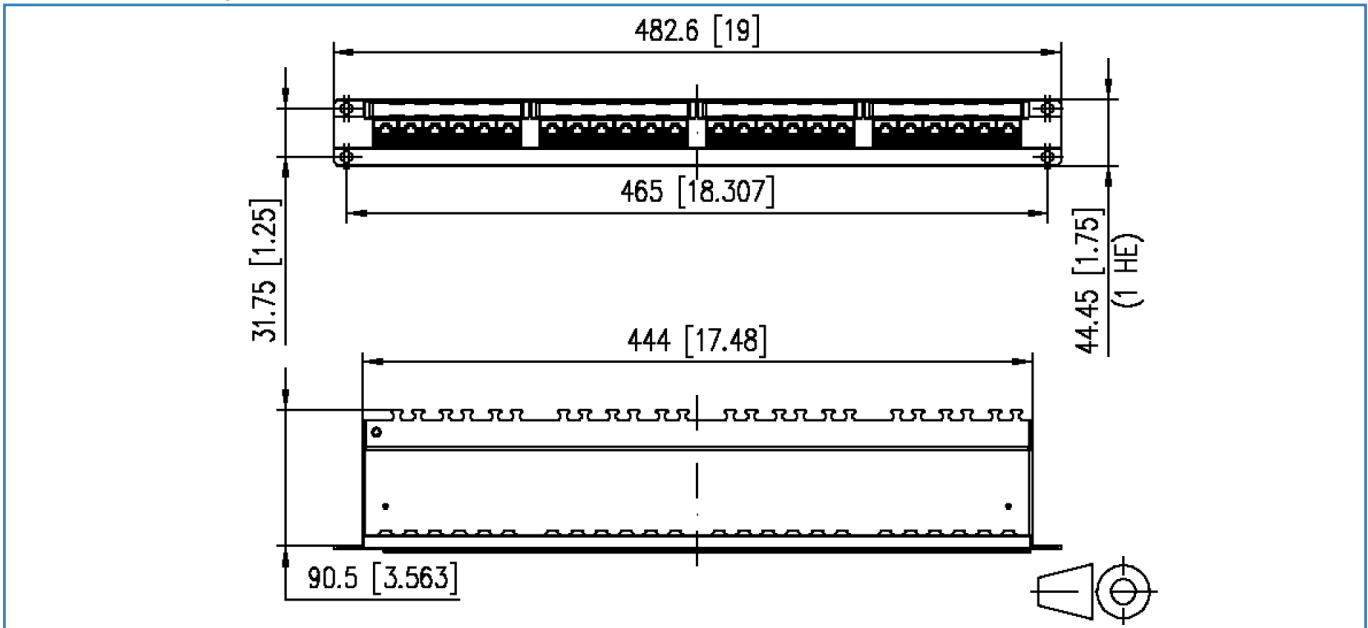
ETIM 5.0	EC001128
ETIM 6.0	EC001128
ETIM 7.0	EC001128

Packing details

Type of packaging	1 pc(s) / box
Packaging unit - Weight (gram)	1120 g
Packaging unit - Weight (pound)	2.47 lb
Packaging dimension	520 mm x 100 mm x 46 mm
Packaging dimension	20.472 in. x 3.937 in. x 1.811 in.

Illustrations

Dimensional drawing



Wiring

