

Data sheet

Surface mount frame 85 x 85 x 43 mm - single, pure white

Page 1/3

P/N
130829-4302-I

EAN 4250184136767

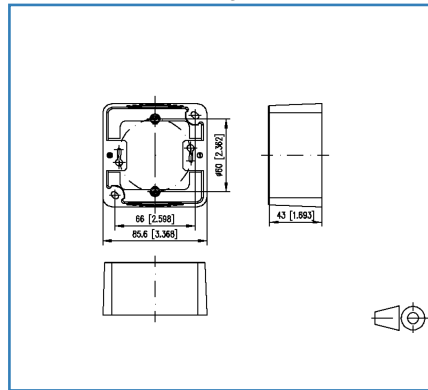
2019/06/19

Version: I

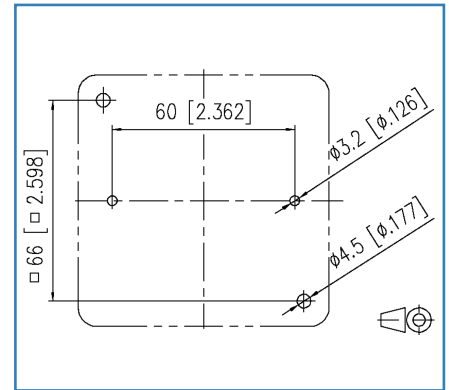
Illustrations



Dimensional drawing



Cut-out



See enlarged drawings at the end of document

Product specification

- extension of flush-mounted wall outlets to surface-mounted wall outlets
- dimensions (LxWxH) 85 x 85 x 43 mm
- additional fastening in 60 mm hole distance
- structured surface with matt finish
- pure white (RAL 9010) or pearl white (RAL 1013)
- variants: pure white, pearl white

Surface mount frame 85 x 85 x 43 mm - single, pure white

P/N

130829-4302-I

EAN 4250184136767

2019/06/19

Version: I

Technical Data

General Data

Design	frame
Mounting style	Flush-mounted to wall mounted
Color	Pure white
Dimensions	
Dimension	43 mm x 85.6 mm x 85.6 mm
Dimension	1.693 in. x 3.37 in. x 3.37 in.

Materials and material properties

RoHS	compliant
------	-----------

Classifications

ETIM 5.0	EC001264
ETIM 6.0	EC001264
ETIM 7.0	EC000080

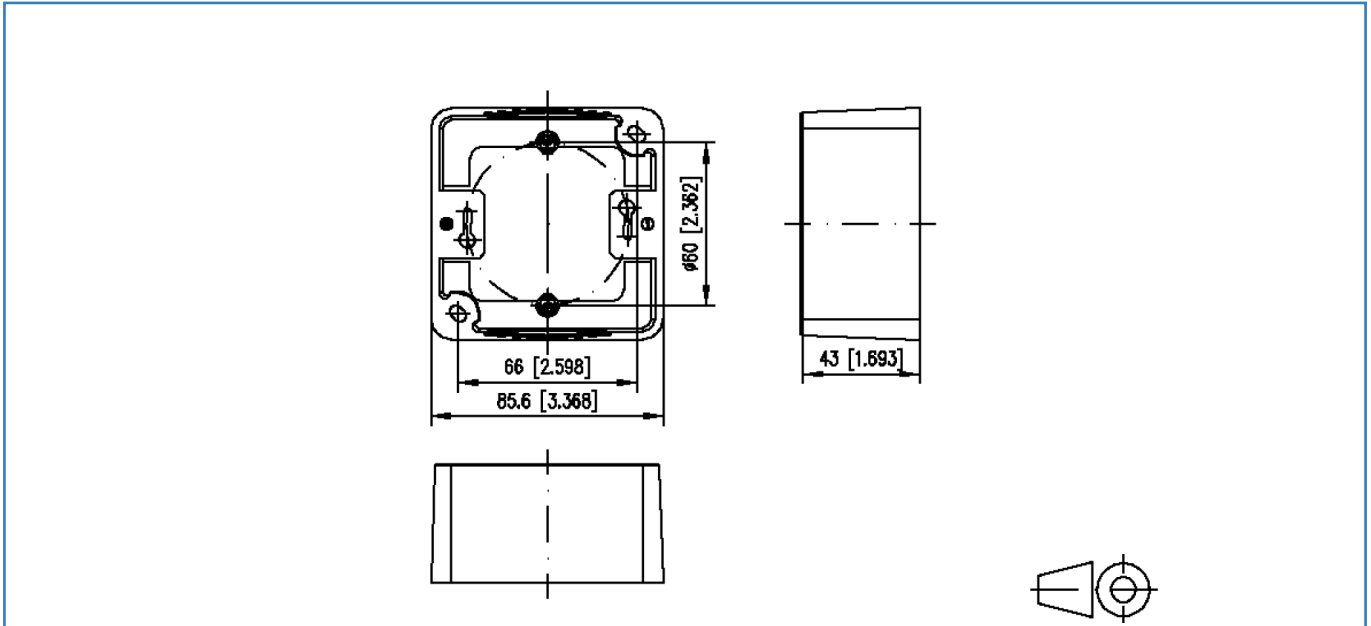
Packing details

Type of packaging	10 pc(s) / box
Packaging unit - Weight (gram)	735 g
Packaging unit - Weight (pound)	1.62 lb
Packaging dimension	283 mm x 180 mm x 85 mm
Packaging dimension	11.142 in. x 7.087 in. x 3.346 in.

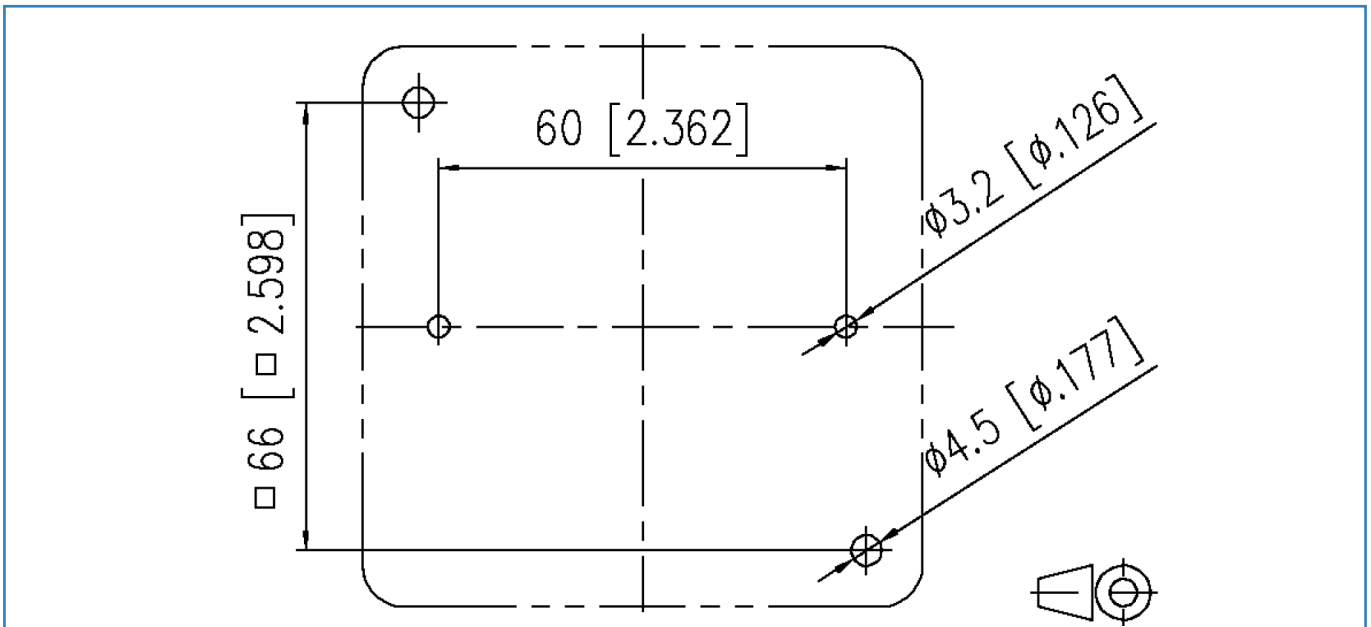


Illustrations

Dimensional drawing



Cut-out



© 2019 METZ CONNECT - Technische Änderungen vorbehalten! Subject to modifications! Sous réserve de modifications techniques!

