

Data sheet

Patch cord Cat.6 Ultraflex500 VoIP
AWG 26 0.5 m gray

Page 1/6

P/N

13084V0533-E

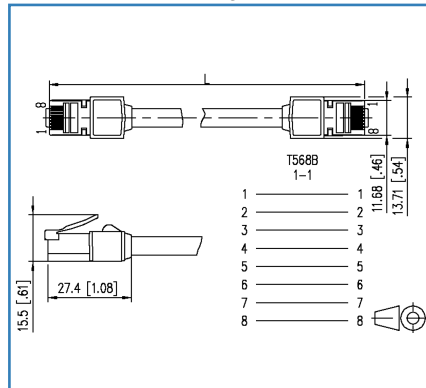
EAN 4251394634586

2020/03/13

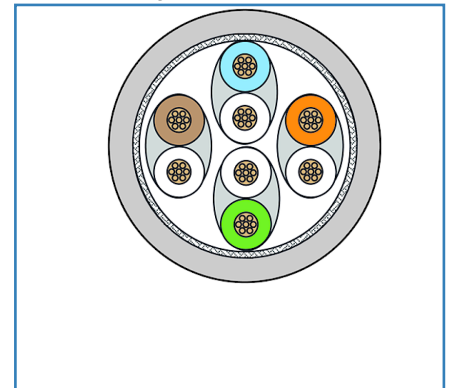
Illustrations



Dimensional drawing



Principle diagram



See enlarged drawings at the end of document

Product specification

- ideal solution in case of limited space
- especially suitable for shielded and unshielded class E_A systems
- fully shielded Cat.6 patch cord AWG 26/7
- two shielded RJ45 connectors; 1:1 assignment
- cable type: S/FTP 4x2xAWG 26/7 PIMF
- cable sheath: LSHF(LSOH), halogen free
- very short cable boot
- especially suitable for VoIP terminal devices
- bending radius of up to 10 mm possible
- considerably longer durability than standard patch cords
- up to 8500 movement cycles possible under load



Technical Data

General Data

| | |
|---|---|
| Fields of application | Structured building cabling, Office Data center |
| Design | patch cord |
| Shielding | shielded |
| Transmission technology | Copper |
| Cable Type | S/FTP |
| Number of twisting elements | 4 |
| Twisting element | Pair |
| Wiring | 1 - 1 |
| Color coding fiber/ wire(s) | white/orange, orange, white/green, green, white/brown, brown, white/blue, blue |
| Color | gray |
| Dimensions | |
| Dimension - Interface 1 (L x L x W x W x H x H) | 27.4 mm x 13.71 mm x 15.5 mm |
| Dimension - Interface 1 (L x L x W x W x H x H) | 1.079 in. x 0.54 in. x 0.61 in. |
| Dimension - Interface 2 (L x L x W x W x H x H) | 27.4 mm x 13.71 mm x 15.5 mm |
| Dimension - Interface 2 (L x L x W x W x H x H) | 1.079 in. x 0.54 in. x 0.61 in. |
| Cable length (m) | 0.5 m |
| Cable length (ft) | 1.64 ft |

Transmission characteristics

| | |
|--|----------------|
| Category (ISO) | 6 |
| Class (ISO/IEC) | E _A |
| Category (TIA) | 6 |
| Remote Powering | yes |
| PoE | IEEE 802.3af |
| PoE plus | IEEE 802.3at |
| UPoE | yes |
| HDBaseT | yes |
| Transmission rate up to 100 MBit (Fast Ethernet) | IEEE 802.3u |
| Transmission rate up to 1 GBit (Fast Ethernet) | IEEE 802.3ab |
| Transmission rate up to 10 GBit | IEEE 802.3an |

Patch cord Cat.6 Ultraflex500 VoIP AWG 26 0.5 m gray

P/N

13084V0533-E

EAN 4251394634586

2020/03/13

Technical Data

Connections/interfaces

| | |
|---|-----------------------|
| Connector technology interface 1 | RJ45 plug |
| Connector technology interface 2 | RJ45 plug |
| Number of ports interface 1 | 1 |
| Number of ports interface 2 | 1 |
| Number of equipped ports interface 1 | 1 |
| Number of ports interface 2 equipped | 1 |
| Number of positions/contacts interface 1 | 8P/8C |
| Number of positions/contacts interface 2 | 8P/8C |
| Termination data, stranded wire (min. - max.) | |
| Conductor cross section, stranded wire | AWG 26/7 |
| Conductor cross section, stranded wire | 0.141 mm ² |
| Conductor diameter, stranded wire (bare copper) | 0.47 mm - 0.51 mm |
| Conductor diameter, stranded wire (bare copper) | 0.019 in. |
| Core diameter (min. - max.) | |
| Core diameter (conductor with insulation) | 0.98 mm - 1.08 mm |
| Core diameter (conductor with insulation) | 0.039 in. - 0.043 in. |
| Cable sheath diameter (min. - max.) | |
| Cable sheath diameter | 6 mm - 6.4 |
| Cable sheath diameter | 0.236 in. - 0.252 |

Electrical characteristics

| | |
|---|---------------|
| Current carrying capacity | max. 1 A |
| Rated voltage | max. 50 V |
| Contact resistance | max. 20 mOhm |
| Through resistance | max. 200 mOhm |
| Insulation resistance | min. 100 MOhm |
| Loop resistance | 142 Ohm/km |
| Dielectric strength conductor-conductor (primarily) | max. 500 V AC |
| Dielectric strength conductor-conductor (secondary) | max. 500 V AC |

Patch cord Cat.6 Ultraflex500 VoIP AWG 26 0.5 m gray

P/N
13084V0533-E
EAN 4251394634586
2020/03/13

Technical Data

Mechanical data

| | |
|---|-----------|
| Position/mounting of latch - standard installation position | top |
| Bending radius without load | 10 mm |
| Bending radius without load | 0.394 in. |
| Number of alternating bending cycles | max. 8500 |

Materials and material properties

| | |
|---|-----------------------|
| Material - Conductor | Cu (copper) |
| Material - Conductor Insulation | Foam-Skin Polyethylen |
| Material - Cable jacket | LSHF (LSOH) |
| Material - Plug housing interface 1 | PC (polycarbonate) |
| Material - Plug housing interface 2 | PC (polycarbonate) |
| Material - Contact interface 1 | CuSn (tin bronze) |
| Material - Contact interface 2 | CuSn (tin bronze) |
| Material - Contact finish interface 1 | Au (gold) |
| Material - Contact finish interface 2 | Au (gold) |
| Material - Contact carriers interface 1 | Plastics |
| Material - Contact carriers interface 2 | Plastics |
| Material - Shield interface 1 | CuSn (tin bronze) |
| Material - Shield interface 2 | CuSn (tin bronze) |
| Material - Shield finish interface 1 | Sn (tin) |
| Material - Shield finish interface 2 | Sn (tin) |
| Material - Pair shield | Aluminium/Polyester |
| Material - Main shield | Cu (copper) braid |
| Flame retardancy | no |
| Halogen free | yes |
| RoHS | compliant |
| REACH - substance (SVHC) | none |

Environmental conditions

| | |
|----------------------------|-----------------|
| Temperature (min. - max.) | |
| Temperature - Storage °C | -40 °C - 70 °C |
| Temperature - Storage °F | -40 °F - 158 °F |
| Temperature - Operating °C | -40 °C - 70 °C |
| Temperature - Operating °F | -40 °F - 158 °F |

Data sheet

Page 5/6

Patch cord Cat.6 Ultraflex500 VoIP AWG 26 0.5 m gray

P/N

13084V0533-E

EAN 4251394634586

2020/03/13

Technical Data

The product meets the following standards

Generic cabling systems

| | |
|----------------------|--|
| General requirements | ISO/IEC 11801-1 DIN EN 50173-1 ANSI/TIA-568.2-D |
| Office buildings | ISO/IEC 11801-2 DIN EN 50173-2 ANSI/TIA-568-D |
| Living units | ISO/IEC 11801-4 DIN EN 50173-4 ANSI/TIA-570-D |
| Data centers | ISO/IEC 11801-5 DIN EN 50173-5 ANSI/TIA-942-B |

Connectors for electronic equipment

| | |
|---------------------------|----------------|
| Free and fixed connectors | IEC 60603-7-51 |
|---------------------------|----------------|

Specification for the testing of balanced and coaxial information technology cabling

| | |
|---|-------------|
| Cords as specified in ISO/IEC 11801 and related standards | IEC 61935-2 |
|---|-------------|

Classifications

| | |
|----------|----------|
| ETIM 7.0 | EC001262 |
|----------|----------|

Packing details

| | |
|---------------------------------|------------------------------------|
| Type of packaging | 1 pc(s) / plastic bag |
| Packaging dimension (W x H x D) | 160 mm x 100 mm x 380 mm |
| Packaging dimension (W x H x D) | 6.299 in. x 3.937 in. x 14.961 in. |

© 2020 METZ CONNECT - Technische Änderungen vorbehalten! Subject to modifications! Sous réserve de modifications techniques!

P | Cabling

Data sheet

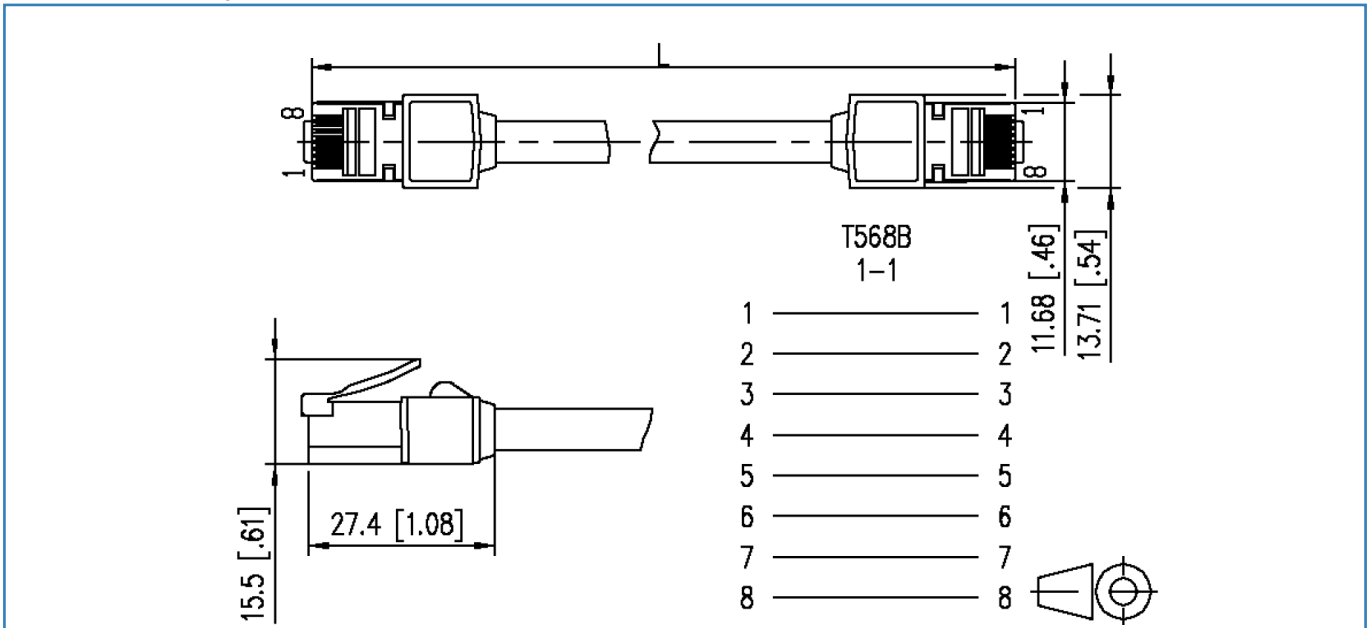
Patch cord Cat.6 Ultraflex500 VoIP
AWG 26 0.5 m gray

Page 6/6

P/N
13084V0533-E
EAN 4251394634586
2020/03/13

Illustrations

Dimensional drawing



Principle diagram

