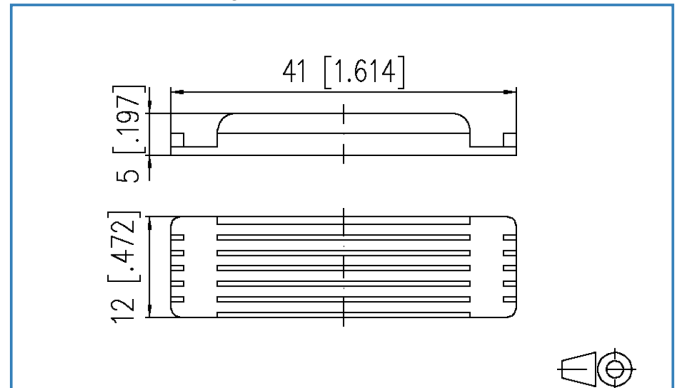


Data sheet**OpDAT splice protection cover for 6 crimp splices**

Page 1/3

P/N
15090304-IEAN 4251394639710
2020/10/01**Illustrations**

Dimensional drawing



See enlarged drawings at the end of document

Product specification

Splice protection cover for 6 crimp splices for mounting in OpDAT ADT or OpDAT VADT.



OpDAT splice protection cover for 6 crimp splices

P/N
15090304-I

EAN 4251394639710
2020/10/01

Technical Data

General Data

Design	Splice holder
Mounting style	Accessories
Color	black
Dimensions	
Dimension (L x W x H)	41 mm x 12 mm x 5 mm
Dimension (L x W x H)	1.614 in. x 0.472 in. x 0.197 in.

Materials and material properties

Material	Plastics
RoHS	compliant

Classifications

ETIM 5.0	EC002066
ETIM 6.0	EC002066
ETIM 7.0	EC000759

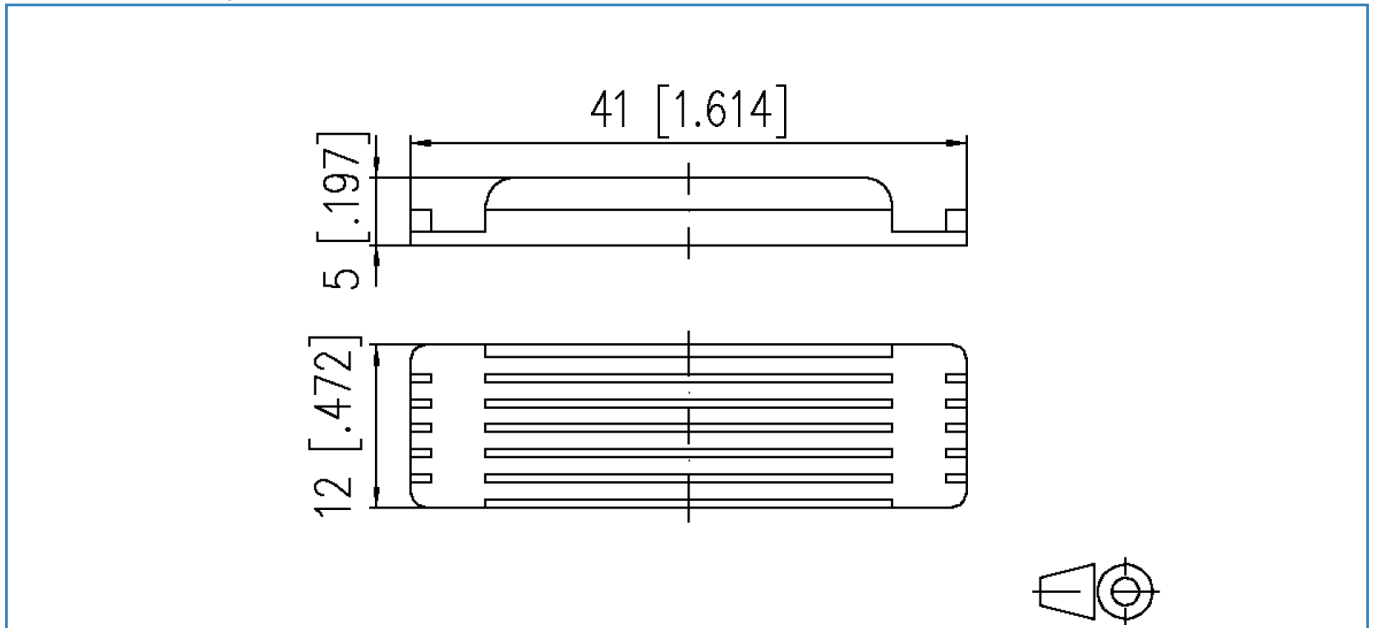
Packing details

Type of packaging	10 pc(s) / plastic bag
-------------------	------------------------



Illustrations

Dimensional drawing



© 2020 METZ CONNECT - Technische Änderungen vorbehalten! Subject to modifications! Sous réserve de modifications techniques!