

Data sheet

E-DAT C6_A 24 port patch panel 1RU LSA

Page 1/6

P/N
130855C-E

EAN 4250184118572

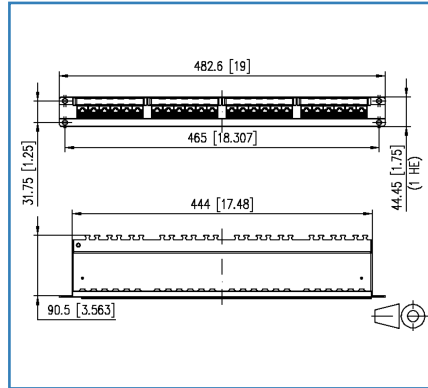
2019/10/18

Version: X

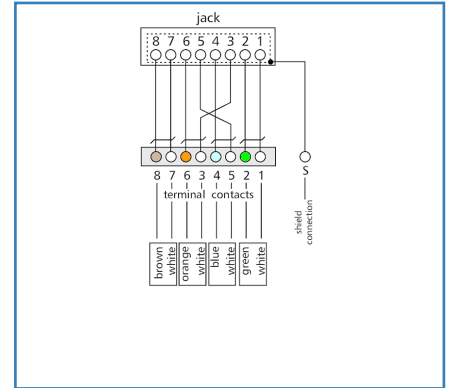
Illustrations



Dimensional drawing



Wiring



See enlarged drawings at the end of document

Product specification

- 19 inch 1RU frame made of silver anodized aluminum with 24 individually shielded RJ45 jacks
- component testing for Cat.6_A to ISO/IEC 11801 Ed.2.2:2011-06, DIN EN 50173-1:2011-09, TIA/EIA-568-C.2 (2009-08) and IEC 60603-7-51 Ed.1 (12/2008), certified to GHMT
- compliance with class E_A up to 500 MHz to ISO/IEC 11801 Ed.2.2:2011-06, DIN EN 50173-1:2011-09
- tested: component up to 600 MHz, link up to 800 MHz
- suitable for 10 GBit Ethernet (IEEE 802.3an), Remote Powering (PoE, PoE plus, UPoE and 4PPoE) and HDBaseT
- wire pairs can be led to the LSA terminal without untwisting the pair
- connection of 2 to 4-pair data lines to LSA insulation displacement connectors (AWG 26/1-22/1) conductor colors marking to T568A



Data sheet E-DAT C6_A 24 port patch panel 1RU LSA

Page 2/6

P/N
130855C-E
EAN 4250184118572
2019/10/18
Version: X

Technical Data

General Data

| | |
|-------------------------|----------------------------------|
| Fields of application | Office |
| Design | patch panel |
| Mounting style | 1RU |
| Shielding | shielded |
| Transmission technology | Copper |
| Wiring | T568A |
| Color | anodized alu. |
| Dimensions | |
| Dimension (L x W x H) | 90.5 mm x 444 mm x 44.45 mm |
| Dimension (L x W x H) | 3.563 in. x 17.48 in. x 1.75 in. |
| Inches | 19 inches |
| Height unit | 1RU |
| Labeling option | printed numbers |

Transmission characteristics

| | |
|---------------------------------|----------------|
| Category (ISO) | 6 _A |
| Class (ISO/IEC) | E _A |
| Category (TIA) | 6A |
| Remote Powering | yes |
| PoE | IEEE 802.3af |
| PoE plus | IEEE 802.3at |
| UPoE | yes |
| 4PPoE | IEEE 802.3bt |
| HDBaseT | yes |
| Transmission rate up to 10 GBit | IEEE 802.3an |

Connections/interfaces

| | |
|--|--------------------|
| Connector technology interface 1 | LSA terminal block |
| Connector technology interface 2 | RJ45-jack |
| Number of ports interface 2 | 24 |
| Number of ports interface 2 equipped | 24 |
| Number of positions/contacts interface 1 | 24 x 8 |
| Number of positions/contacts interface 2 | 24 x 8P/8C |



Technical Data

Connections/interfaces

Termination data, solid wire (min. - max.)

| | |
|--|---|
| Conductor cross section, solid wire | AWG 26/1 - AWG 22/1 |
| Conductor cross section, solid wire | 0.128 mm ² - 0.324 mm ² |
| Conductor diameter, solid wire (bare copper) | 0.409 mm - 0.643 mm |
| Conductor diameter, solid wire (bare copper) | 0.016 in. - 0.025 in. |
| Cable access/outlet | 180° |
| Shield connection | flexible contact spring |

Electrical characteristics

| | |
|---|----------------|
| Current carrying capacity | max. 1 A |
| Rated voltage | max. 50 V |
| Contact resistance | max. 20 mOhm |
| Through resistance | max. 200 mOhm |
| Insulation resistance | min. 500 MOhm |
| Dielectric strength conductor-conductor (secondary) | max. 1000 V DC |

Mechanical characteristics

| | |
|---|-----------|
| Insertion and withdrawal force | max. 20 N |
| Life - Number of mating cycles | min. 750 |
| Position/mounting of latch - standard installation position | top |

Materials and material properties

| | |
|--|----------------------------------|
| Material - Terminal block housing | PBT (polybutylene terephthalate) |
| Material - Jack contact | CuSn (tin bronze) |
| Material - Jack contact finish | Ni + Au (nickel-gold) |
| Material - Terminal block contact | CuZn (brass) |
| Material - Terminal block contact finish | Sn (tin) |
| Material - Module support | Al (Aluminium) |
| Material - Module support finish | silver anodized |
| RoHS | compliant |



Technical Data

Environmental conditions

Temperature (min. - max.)

| | |
|----------------------------|-----------------|
| Temperature - Storage Å°C | -40 °C - 70 °C |
| Temperature - Storage Å°F | -40 °F - 158 °F |
| Temperature - Operating °C | -40 °C - 70 °C |
| Temperature - Operating °F | -40 °F - 158 °F |

| | |
|-----------------------------|----|
| Electromagnetic measurement | E2 |
|-----------------------------|----|

Certifications

| | |
|--------------------|-------------------------------|
| GHMT Type Approval | Component (valid to: 11/2019) |
|--------------------|-------------------------------|

Approvals

| | |
|----|-----------|
| CE | compliant |
|----|-----------|

The product meets the following standards

| | |
|-------------------------------------|--|
| Generic cabling systems | |
| General requirements | ISO/IEC 11801-1 DIN EN 50173-1 ANSI/TIA-568-C.2 |
| Connectors for electronic equipment | |
| Free and fixed connectors | DIN EN 60603-7-51:2011-01 |

Classifications

| | |
|----------|----------|
| ETIM 5.0 | EC001128 |
| ETIM 6.0 | EC001128 |
| ETIM 7.0 | EC001128 |

Packing details

| | |
|---------------------------------|------------------------------------|
| Type of packaging | 1 pc(s) / box |
| Packaging unit - Weight (gram) | 1120 g |
| Packaging unit - Weight (pound) | 2.47 lb |
| Packaging dimension | 520 mm x 100 mm x 46 mm |
| Packaging dimension | 20.472 in. x 3.937 in. x 1.811 in. |

Data sheet

E-DAT C6_A 24 port patch panel 1RU LSA

Page 5/6

P/N

130855C-E

EAN 4250184118572

2019/10/18

Version: X

Accessories

| P/N | Designation |
|-----------|--|
| 899011-01 | Label sheet for Modul patch panels / REG |

© 2019 METZ CONNECT - Technische Änderungen vorbehalten! Subject to modifications! Sous réserve de modifications techniques!



P | Cabling

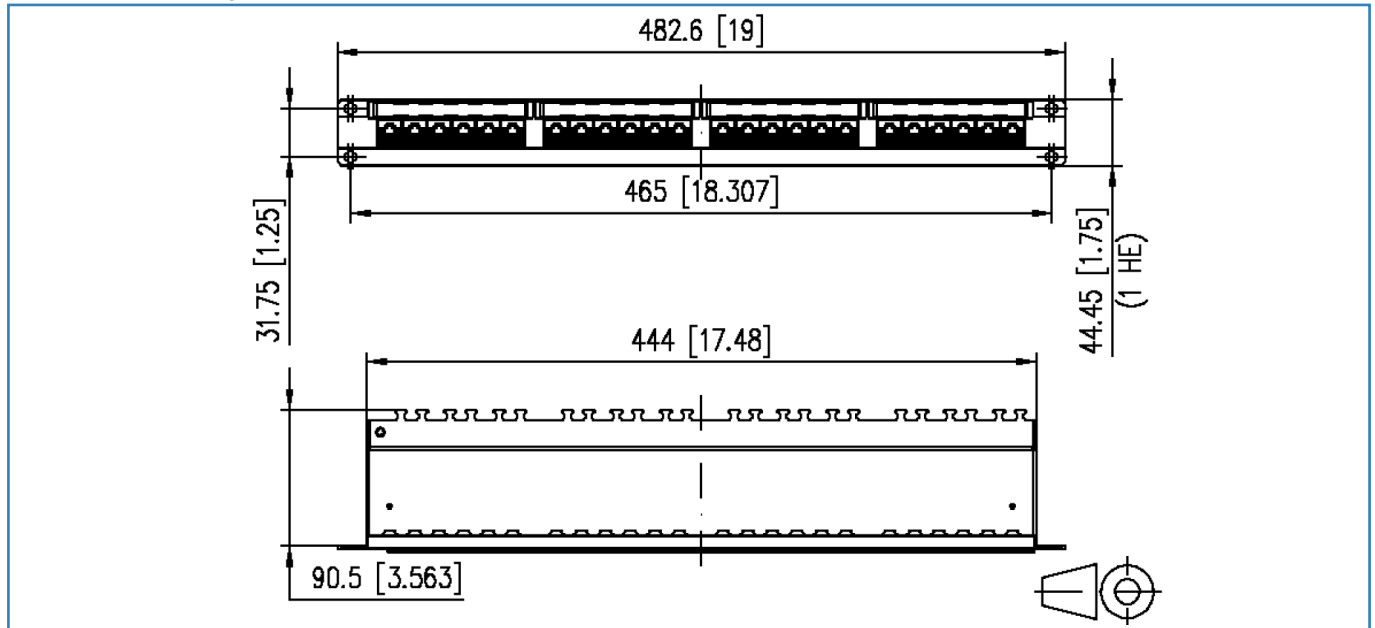
Data sheet E-DAT C6_A 24 port patch panel 1RU LSA

Page 6/6

P/N
130855C-E
EAN 4250184118572
2019/10/18
Version: X

Illustrations

Dimensional drawing



Wiring

