

Data sheet

E-DAT design 2 port AP Cat.6, pure white

Page 1/7

P/N

1307440002-I

EAN 4250184102700

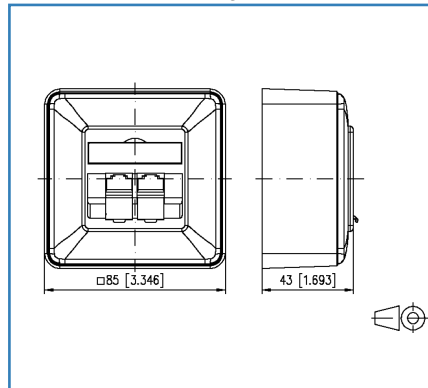
2019/06/19

Version: AA

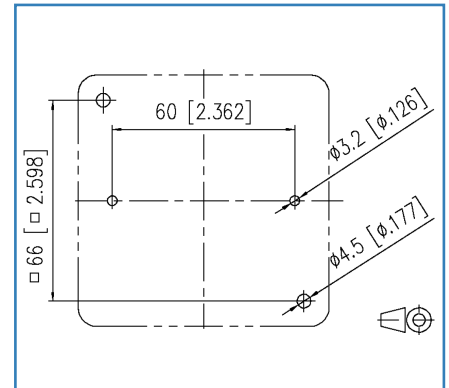
Illustrations



Dimensional drawing



Cut-out



See enlarged drawings at the end of document

Product specification

- surface-mounted termination unit with two 8-pole RJ45 jacks
 - Class E/Cat.6 Link Performance to ISO/IEC11801 Ed.2.2:2011-06, DIN EN 50173-1:2011-09
 - for 1 GBit Ethernet (IEEE 802.3)
 - suitable for Remote Powering (PoE, PoE plus and UPoE) and HDBaseT
 - plug direction of the RJ45 plugs 45° downwards
 - pin assignment to ISO/IEC 11801/EN 50173-1
 - cable entry from 4 directions
 - connection of data lines AWG 26/1 to 22/1 (solid wire)
 - with label window for enclosed identification labels
 - label sheet 209 x 294 mm see accessory
 - pearl white (RAL 1013) or pure white (RAL 9010) covers
- variants: pure white, pearl white

Data sheet E-DAT design 2 port AP Cat.6, pure white

Page 2/7

P/N
1307440002-I
EAN 4250184102700
2019/06/19
Version: AA

Technical Data

General Data

Fields of application	
Field of application	Office
Design	wall outlet
Mounting style	surface mount
Shielding	shielded
Transmission technology	Copper
Color	Pure white
Dimensions	
Dimension	43 mm x 85 mm x 85 mm
Dimension	1.693 in. x 3.346 in. x 3.346 in.
Labeling option	label window with identification label
Marking option	by dust protection

Transmission characteristics

Category (ISO)	6
Category (TIA)	6
Remote Powering	yes
PoE	IEEE 802.3af
PoE plus	IEEE 802.3at
UPoE	yes
HDBaseT	yes
Transmission rate up to 1 GBit (Fast Ethernet)	IEEE 802.3ab

Connections/interfaces

Connector technology interface 1	LSA terminal block
Connector technology interface 2	RJ45-jack
Number of ports interface 2	2
Number of ports interface 2 equipped	2
Number of positions/contacts interface 1	2 x 8
Number of positions/contacts interface 2	2 x 8P/8C

Technical Data

Connections/interfaces

Termination data, solid wire (min. - max.)

Conductor cross section, solid wire	26/1 - 22/1
Conductor cross section, solid wire	0.128 mm ² - 0.324 mm ²
Conductor diameter, solid wire (bare copper)	0.409 mm - 0.643 mm
Conductor diameter, solid wire (bare copper)	0.016 in. - 0.025 in.
Module plug-in direction	45° downwards
Cable access/outlet	180°
Ground connection	2.8 mm flat plug
Shield connection	flexible contact spring

Elektrische/ Optische Eigenschaften

Current carrying capacity	1
Rated voltage	max. 50 V
Contact resistance	max. 20 mOhm
Through resistance	max. 200 mOhm
Insulation resistance	min. 500 MOhm
Dielectric strength conductor-conductor (secondary)	max. 1000 V DC

Mechanical characteristics

Insertion and withdrawal force	max. 20 N
Position/mounting of latch - standard installation position	top

Materials and material properties

Material - Housing	Plastics
Material - Surface mount frame	ABS, impact resistant
Material - Supporting frame	GD-Zn (zinc die-cast)
Material - Label window	ABS, transparent
Material - Contact	CuSn (tin bronze)
Material - Contact finish	Ni + Au (nickel-gold)
Material - Shield	GD-Zn (zinc die-cast)
RoHS	compliant



Technical Data

Environmental conditions

Temperature (min. - max.)

Temperature - Storage Â°C	-40 °C - 70 °C
Temperature - Storage Â°F	-40 °F - 158 °F
Temperature - Operating Â°C	-40 °C - 70 °C
Temperature - Operating Â°F	-40 °F - 158 °F

The product meets the following standards

Generic cabling systems

General requirements	ISO/IEC 11801 Ed.2.2:2011-06 DIN EN 50173-1:2011-09
----------------------	---

Classifications

ETIM 5.0	EC001264
ETIM 6.0	EC001264
ETIM 7.0	EC001264

Packing details

Type of packaging	10 pc(s) / box
Packaging unit - Weight (gram)	2214 g
Packaging unit - Weight (pound)	4.88 lb
Packaging dimension	283 mm x 180 mm x 85 mm
Packaging dimension	11.142 in. x 7.087 in. x 3.346 in.

Data sheet

E-DAT design 2 port AP Cat.6, pure white

Page 5/7

P/N

1307440002-I

EAN 4250184102700

2019/06/19

Version: AA

Accessories

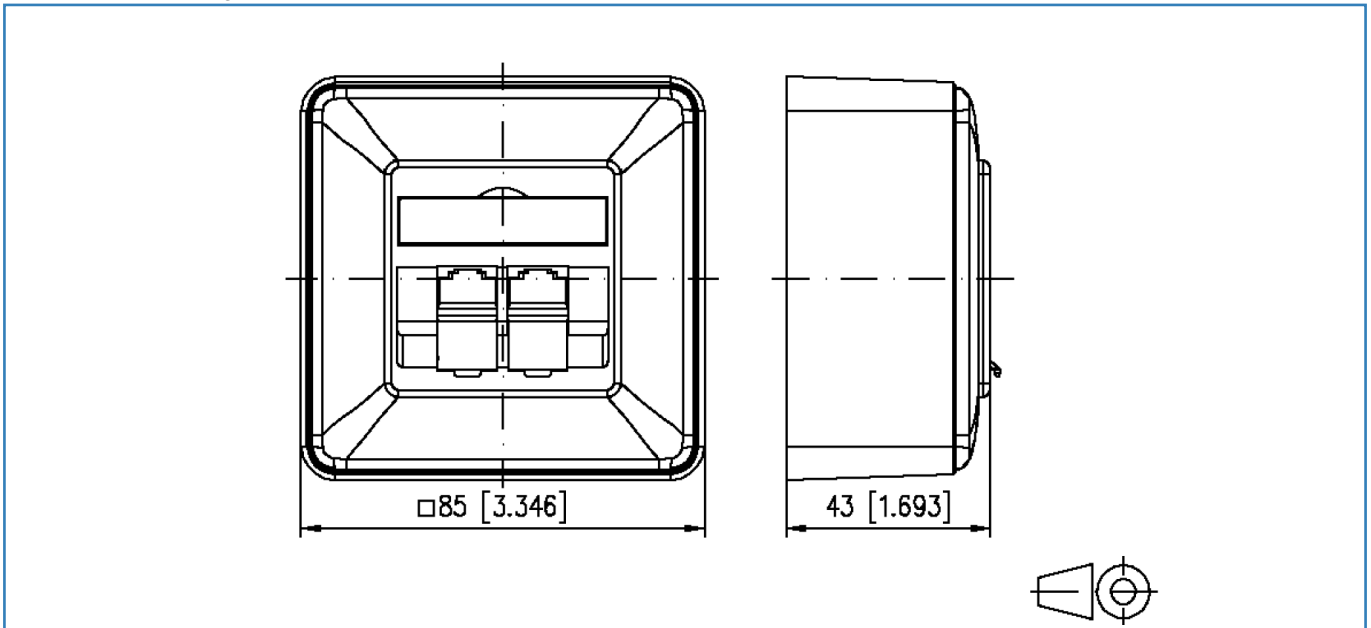
P/N	Designation
816718-0302-I	Cover plate 80 x 80 mm pure white, E-DAT design
899650-01	Label sheet for wall outlets

© 2019 METZ CONNECT - Technische Änderungen vorbehalten! Subject to modifications! Sous réserve de modifications techniques!

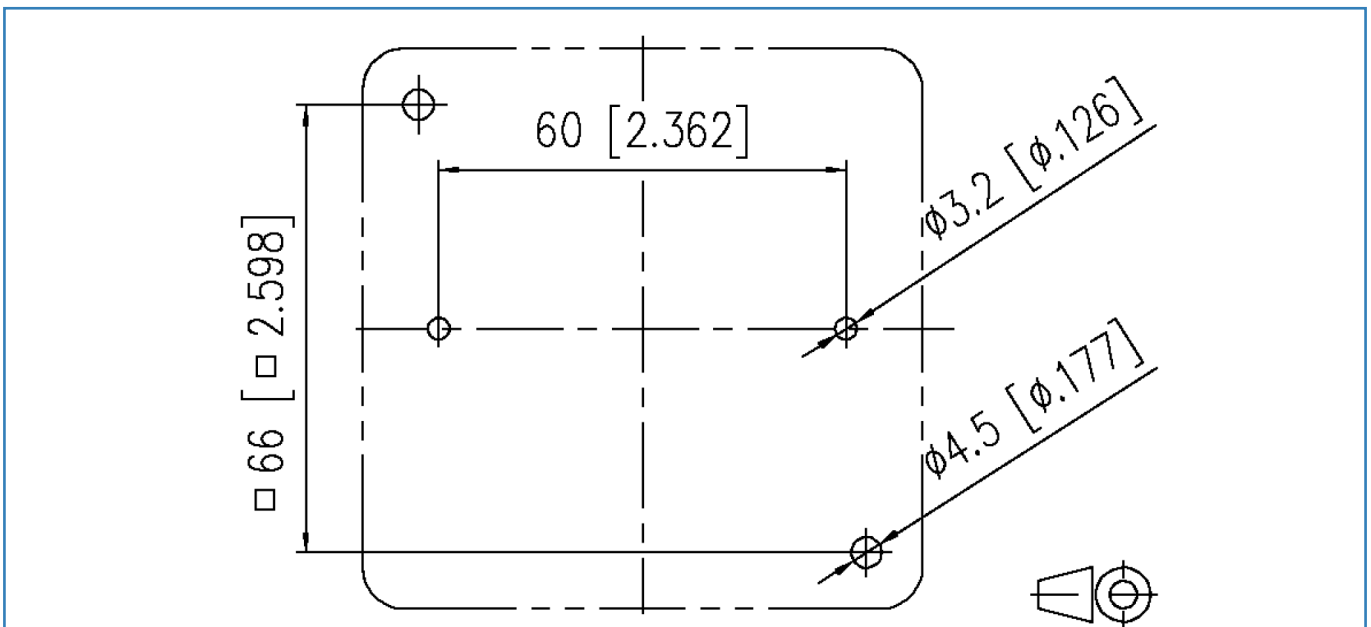


Illustrations

Dimensional drawing

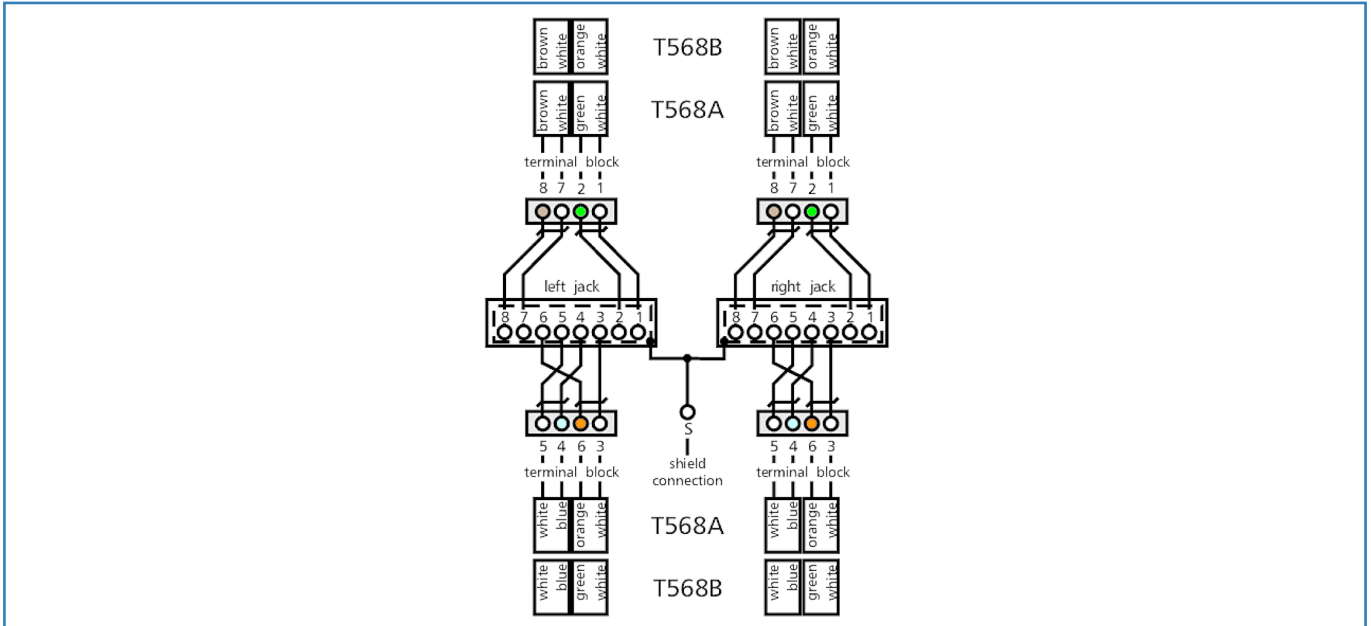


Cut-out



Illustrations

Wiring



© 2019 METZ CONNECT - Technische Änderungen vorbehalten! Subject to modifications! Sous réserve de modifications techniques!

