

Data sheet

Industry IP67 V1 bulkhead protective cap

Page 1/4

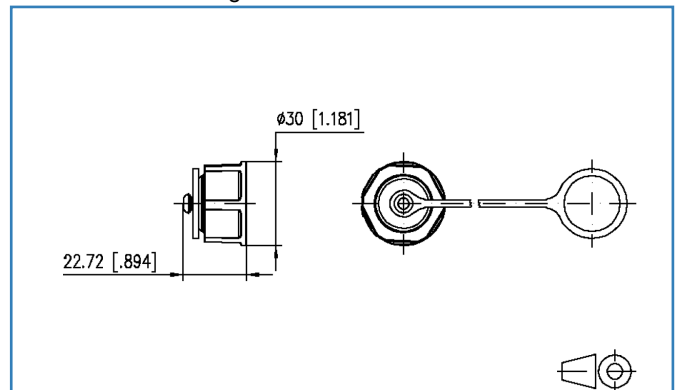
P/N
1401018102KI
EAN 4250184114314

2016-13-07

Illustrations



Dimensional drawing



See enlarged drawings at the end of document

Product specification

- good ingress protection also if not plugged in due to tight IP67 protective cap
- flammability class as per UL 94V-0
- improved resistance to chemical substances
- captive, attached protective cap
- variants: protective cap for plug or flange

Data sheet
Industry IP67 V1 bulkhead protective cap

Page 2/4

P/N
1401018102KI
EAN 4250184114314

2016-13-07

Technical Data

General Data

Fields of application	Harsh environment
Design	Protective cap
Mounting style	Accessories
Color	black
Dimensions	
Dimension (L x W x H)	22.72 x 30.00 x 30.00 mm
Dimension (L x W x H)	0.894 x 1.181 x 1.18 in.

Connections/interfaces

Protective housing	V1
--------------------	----

Mechanical characteristics

IP67-protective cap	captive
---------------------	---------

Materials and material properties

Material	Plastics
----------	----------

Environmental conditions

Temperature (min. - max.)	
Temperature - Storage °C	-40 - 70 °C
Temperature - Storage °F	-40 - 158 °F
Temperature - Operating °C	-40 - 70 °C
Temperature - Operating °F	-40 - 158 °F
Particulate ingress	IP6X
Liquid ingress/immersion	IPX7
Increased chemical resistance	yes

Approvals

RoHS	compliant
UL listed (file no.)	DUXR.E178484

© 2016 METZ CONNECT - Technische Änderungen vorbehalten! Subject to modifications! Sous réserve de modifications techniques!



Data sheet
Industry IP67 V1 bulkhead protective cap

Page 3/4

P/N
1401018102KI
EAN 4250184114314

2016-13-07

Technical Data

The product meets the following standards

Degrees of Protection Provided by Enclosures IEC 60529

Classifications

ETIM 5.0 EC002597

ETIM 6.0 EC002597

Packing details

Type of packaging 10 pc(s) / box

Packaging unit - Weight (gram) 136.00 g

Packaging unit - Weight (pound) 0.30 lb

Packaging dimension (W x H x D) 247.00 x 161.00 x 58.00 mm

Packaging dimension (W x H x D) 9.724 x 6.339 x 2.283 in.

© 2016 METZ CONNECT - Technische Änderungen vorbehalten! Subject to modifications! Sous réserve de modifications techniques!



Data sheet
Industry IP67 V1 bulkhead protective cap

Page 4/4

P/N
1401018102KI
EAN 4250184114314

2016-13-07

Illustrations

Dimensional drawing

