

Data sheet

Industry IP67 V1 plug protective cap

Page 1/4

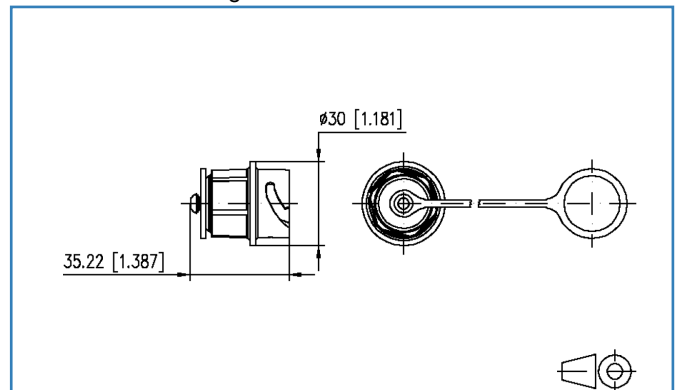
P/N
1401018002KI
EAN 4250184114192

2016-13-07

Illustrations



Dimensional drawing



See enlarged drawings at the end of document

Product specification

- good ingress protection also if not plugged in due to tight IP67 protective cap
- flammability class as per UL 94V-0
- improved resistance to chemical substances
- captive, attached protective cap
- variants: protective cap for plug or flange

Data sheet
Industry IP67 V1 plug protective cap

Technical Data

General Data

Fields of application	Harsh environment
Design	Protective cap
Mounting style	Accessories
Color	black
Dimensions	
Dimension (L x W x H)	35.2 x 30.00 x 30.00 mm
Dimension (L x W x H)	1.386 x 1.181 x 1.18 in.

Connections/interfaces

Protective housing	V1
--------------------	----

Mechanical characteristics

IP67-protective cap	captive
---------------------	---------

Materials and material properties

Material	Plastics
----------	----------

Environmental conditions

Temperature (min. - max.)	
Temperature - Storage °C	-40 - 70 °C
Temperature - Storage °F	-40 - 158 °F
Temperature - Operating °C	-40 - 70 °C
Temperature - Operating °F	-40 - 158 °F
Particulate ingress	IP6X
Liquid ingress/immersion	IPX7
Increased chemical resistance	yes

Approvals

RoHS	compliant
UL listed (file no.)	DUXR.E178484

© 2016 METZ CONNECT - Technische Änderungen vorbehalten! Subject to modifications! Sous réserve de modifications techniques!



Industry IP67 V1 plug protective cap

P/N

1401018002KI

EAN 4250184114192

2016-13-07

Technical Data**The product meets the following standards**

Degrees of Protection Provided by Enclosures	IEC 60529
--	-----------

Classifications

ETIM 5.0	EC001121
----------	----------

ETIM 6.0	EC001121
----------	----------

Packing details

Type of packaging	10 pc(s) / box
-------------------	----------------

Packaging unit - Weight (gram)	156.00 g
--------------------------------	----------

Packaging unit - Weight (pound)	0.34 lb
---------------------------------	---------

Packaging dimension (W x H x D)	247.00 x 161.00 x 58.00 mm
---------------------------------	----------------------------

Packaging dimension (W x H x D)	9.724 x 6.339 x 2.283 in.
---------------------------------	---------------------------



Data sheet
Industry IP67 V1 plug protective cap

Page 4/4

P/N
1401018002KI
EAN 4250184114192

2016-13-07

Illustrations

Dimensional drawing

