

Data sheet

E-DAT Industry IP67 V1 2 port metal outlet

Page 1/6

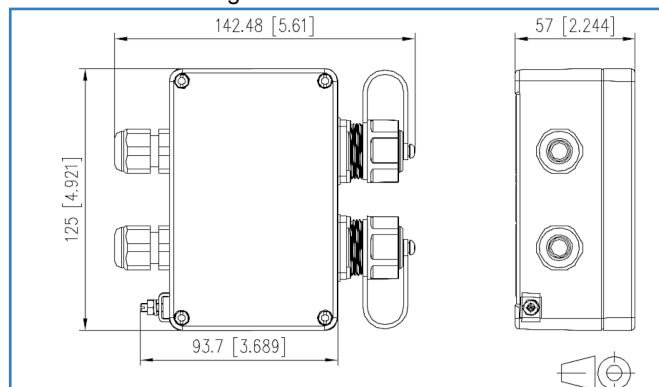
P/N
1401010620ME
EAN 4250184116479

2017-16-08

Illustrations



Dimensional drawing



See enlarged drawings at the end of document

Product specification

- IP67 wall outlets for flexible connection of networks in industrial areas
- 2 complete ports with flange covers and cable glands
- with the output directions pointing straight downwards (with cable feed from above) or output direction to right (with cable feed from above)
- metal flange with bayonet to ISO/IEC 24702 and IEC 61076-3-106 standards, var. 1
- unequipped, without inserts
- for wall and floor mounting
- aluminum housing made of AL-Si 12
- solid powder coating in RAL 7001
- dimensions, 2 ports: 124 x 78 x 57 mm (without flanges and cable glands)
- matching inserts: E-DAT Industry RJ45 field jack insert (T568A, T568B or Profinet), E-DAT Industry RJ45 coupler insert, E-DAT Industry USB coupler insert, OpDAT Industry SC-RJ/2SC coupler insert or OpDAT Industry LC-D coupler insert



Technical Data

General Data

Fields of application	Harsh environment
Design	Wall outlet
Color	gray
Dimensions	
Dimension (L x W x H)	142.48 x 125.00 x 57.00 mm
Dimension (L x W x H)	5.609 x 4.921 x 2.244 in.
Labeling option	on housing

Connections/interfaces

Number of ports interface 1	2
Number of ports interface 2	2
Number of equipped ports interface 1	0
Number of ports interface 2 equipped	0
Protective housing interface 1	V1
Protective housing interface 2	V1
Cable sheath diameter (min. - max.)	
Cable sheath diameter	4.50 - 10.00 mm
Cable sheath diameter	0.177 - 0.394 in.
Module plug-in direction	straight
Cable access/outlet	180°

Mechanical characteristics

Locking method (protective housing)	Bayonet
-------------------------------------	---------

Materials and material properties

Material - Housing	Al (Aluminium)
Material - Protective housing	GD-Zn (zinc die-cast)
Material - Housing seal	CR (chloroprene rubber)
Material - Protective housing seal	NBR (nitrile butadiene rubber)
Material - Cable glands seal	CR / NBR
Material - Cable gland	CuZn (brass)
Material - Cable gland finish	Ni (nickel)
Material - Housing screw(s)	stainless steel
Material - Protective housing screw(s)	steel



Technical Data

Materials and material properties

Material - Protective housing screw(s) finish	Zn (zinc)
Material - Grounding screw and washer in the housing	steel
Material - Grounding screw and washer in the housing, finish	Zn (zinc)
Material - Ground connection	stainless steel
Material - Protective cap	PA UL94 V0

Environmental conditions

Temperature (min. - max.)	
Temperature - Storage °C	-40 - 70 °C
Temperature - Storage °F	-40 - 158 °F
Temperature - Operating °C	-40 - 70 °C
Temperature - Operating °F	-40 - 158 °F
Particulate ingress	IP6X
Liquid ingress/immersion	IPX7
Rapid change of temperature	-40°C / -40°F - +70°C / 158°F / 25 cycles t=30 min
Damp heat	+25°C / +77°F / +65°C / +149°F / 93% RH // -10°C / -14°F 21 cycles
Salt spray fog test (NSS Test)	35 °C / 95 °F / 4 days, 5% NaCL

Approvals

RoHS	compliant
------	-----------

The product meets the following standards

Generic cabling systems	
Industrial area	ISO/IEC 24702
Expansion of Communication Circuit Accessories (DUXR) Category	UL 1863 / UL 50
Degrees of Protection Provided by Enclosures	IEC 60529
Connectors for electronic equipment	
Rectangular connectors	DIN EN 61076-3-106



E-DAT Industry IP67 V1 2 port metal outlet

P/N

1401010620ME

EAN 4250184116479

2017-16-08

Technical Data**Classifications**

ETIM 5.0	EC002597
ETIM 6.0	EC002597

Packing details

Type of packaging	1 pc(s) / box
Packaging unit - Weight (gram)	600.00 g
Packaging unit - Weight (pound)	1.32 lb
Packaging dimension (W x H x D)	230.00 x 125.00 x 95.00 mm
Packaging dimension (W x H x D)	9.055 x 4.921 x 3.74 in.



E-DAT Industry IP67 V1 2 port metal outlet

P/N

1401010620ME**EAN 4250184116479**

2017-16-08

Accessories

P/N	Designation
1401100810MI	E-DAT Industry RJ45 field jack insert Cat.6 Class E _A , T568A
1401200810MI	E-DAT Industry RJ45 coupler insert Cat.6 Class E
1402100820MI	OpDAT Industry SC-RJ/2SC MM adapter insert
1402300820MI	OpDAT Industry LC-D MM adapter insert
1402K00820MI	OpDAT Industry SC-RJ/2SC SM adapter insert
1402L00820MI	OpDAT Industry LC-D SM adapter insert
1401800810MI	E-DAT Industry RJ45 field jack insert Cat.6 Class E _A , T568B
1401900810MI	E-DAT Industry RJ45 field jack insert Cat.6 Class E _A , PROFINET
1401U00812KI	E-DAT Industry USB A 2.0 adapter insert



Illustrations

Dimensional drawing

