

Data sheet

C5 RJ45 field plug pro 2P 360 PROFINET

Page 1/6

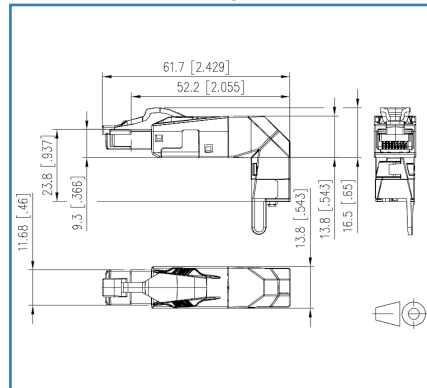
P/N
130E405042PE
EAN 4250184189282

2017-19-12

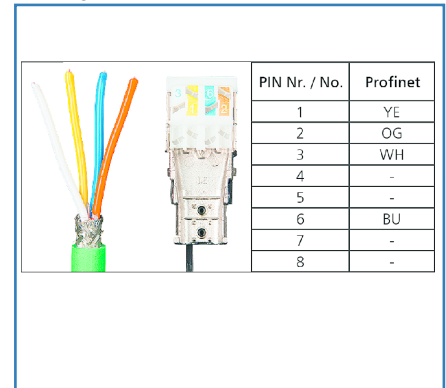
Illustrations



Dimensional drawing



Wiring



See enlarged drawings at the end of document

Product specification

- Cat.5 class D RJ45 plug, 2 pairs, to be assembled in the field
- fully shielded and multi-port capable
- variable (360°) cable feed, freely selectable
- easy assembly - connection without special tools
- wire connection: stranded wire AWG 27/7 to 22/7, wire diameter from 0.46 to 0.76 mm
- wire connection: solid wire AWG 26/1 to 22/1, wire diameter from 0.4 to 0.64 mm
- transmission characteristics Cat.5 per ISO/IEC 11801 Ed.2.2:2011-06
- compliance with class D to ISO/IEC 11801
- Ed.2.2:2011-06, DIN EN 50173-1:2011-09
- 100 MBit suitable according to IEEE 802.3
- suitable for Remote Powering (PoE and PoE plus) and HDBaseT
- degree of protection IP20
- for cable jacket from 5.5 to 10.5 mm
- zinc die-cast housing for industrial use
- strain relief by latching clip directly on the stuffer cap
- protected locking hook
- reconnectable

Technical Data

General Data

Fields of application	Structured building cabling, Industrial Ethernet, Office Harsh environment
Design	Plugs
Shielding	shielded
Transmission technology	Copper
Wiring	Profinet
Color	green
Dimensions	
Dimension (L x W x H)	61.70 x 13.8 x 27.50 mm
Dimension (L x W x H)	2.429 x 0.543 x 1.083 in.
Field assembly ability	yes
Multi-port capability	yes
Labeling option	on housing

Transmission characteristics

Category (ISO)	5
Class (ISO/IEC)	D
Category (TIA)	5
Remote Powering	yes
PoE	IEEE 802.3af
PoE plus	IEEE 802.3at
HDBaseT	yes
Transmission rate up to 100 MBit (Fast Ethernet)	IEEE 802.3u

Connections/interfaces

Connector technology interface 1	IDC-connection
Connector technology interface 2	RJ45 plug
Number of positions/contacts interface 1	4
Number of positions/contacts interface 2	4P/4C



Technical Data

Connections/interfaces

Termination data, solid wire (min. - max.)

Conductor cross section, solid wire	AWG 26/1 - 22/1
Conductor cross section, solid wire	0.128 - 0.324 mm ²
Conductor diameter, solid wire (bare copper)	0.409 - 0.643 mm
Conductor diameter, solid wire (bare copper)	0.016 - 0.025 in.

Termination data, stranded wire (min. - max.)

Conductor cross section, stranded wire	AWG 27/7 - 22/7
Conductor cross section, stranded wire	0.111 - 0.355 mm ²
Conductor diameter, stranded wire (bare copper)	0.457 - 0.762 mm
Conductor diameter, stranded wire (bare copper)	0.018 - 0.030 in.

Cable sheath diameter (min. - max.)

Cable sheath diameter	5.50 - 10.50 mm
Cable sheath diameter	0.217 - 0.413 in.

Cable access/outlet	variable, selectable (360°)
---------------------	-----------------------------

Reconnectibility	yes
------------------	-----

Shield connection	flexible contact spring
-------------------	-------------------------

Electrical characteristics

Current carrying capacity	max. 1 A
Rated voltage	max. 50 V
Contact resistance	max. 20 mOhm
Insulation resistance	min. 500 MOhm
Dielectric strength conductor-conductor (secondary)	min. 1000 V DC

Mechanical characteristics

Mounting method	snap-in function
Insertion and withdrawal force	max. 20 N
Position/mounting of latch - standard installation position	top
strain relief	latching clip



Technical Data

Materials and material properties

Material - Housing	GD-Zn (zinc die-cast)
Material - Contact	CuSn (tin bronze)
Material - Contact finish	Ni + Au (nickel-gold)
Material - Latch	Plastics

Environmental conditions

Temperature (min. - max.)	
Temperature - Storage °C	-40 - 70 °C
Temperature - Storage °F	-40 - 158 °F
Temperature - Operating °C	-40 - 70 °C
Temperature - Operating °F	-40 - 158 °F
Particulate ingress	IP2X
Liquid ingress/immersion	IPX0
Electromagnetic measurement	E ₂

Approvals

RoHS	compliant
UL listed (file no.)	DUXR.E178484

The product meets the following standards

Generic cabling systems	
General requirements	ISO/IEC 11801 Ed.2.2:2011-06 DIN EN 50173-1:2011-09
Office buildings	ISO/IEC 11801 Ed.2.2: 2011-06 DIN EN 50173-2: 2011-09
Industrial area	ISO/IEC 24702 DIN EN 50173-3: 2011-09
Application-specific communications cabling systems	
Profinet	yes
Expansion of Communication Circuit Accessories (DUXR) Category	UL 1863
Industrial communication networks - Installation of communication networks in industrial premises	IEC 61918
Connectors for electronic equipment	
Free and fixed connectors	DIN EN 60603-7-5:2011-03



C5 RJ45 field plug pro 2P 360 PROFINET

P/N

130E405042PE

EAN 4250184189282

2017-19-12

Technical Data

The product meets the following standards

Interference proof

Immunity for industrial environments	DIN EN 61000-6-2:2006-03
--------------------------------------	--------------------------

Emission proof

Electromagnetic emission for residential, commercial and light-industrial environments	DIN EN 61000-6-3:2011-09
--	--------------------------

Classifications

ETIM 5.0	EC001121
----------	----------

ETIM 6.0	EC001121
----------	----------

Packing details

Type of packaging	10 pc(s) / box
-------------------	----------------

Packaging unit - Weight (gram)	413.00 g
--------------------------------	----------

Packaging unit - Weight (pound)	0.91 lb
---------------------------------	---------

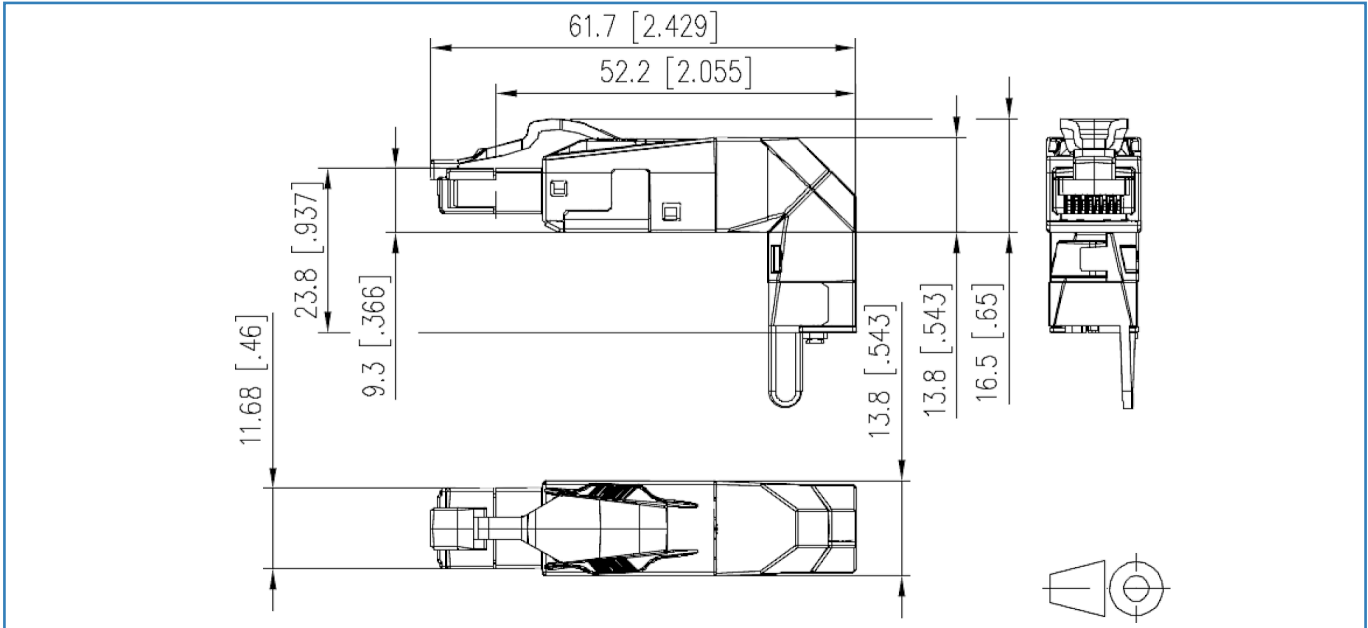
Packaging dimension (W x H x D)	247.00 x 161.00 x 58.00 mm
---------------------------------	----------------------------

Packaging dimension (W x H x D)	9.724 x 6.339 x 2.283 in.
---------------------------------	---------------------------

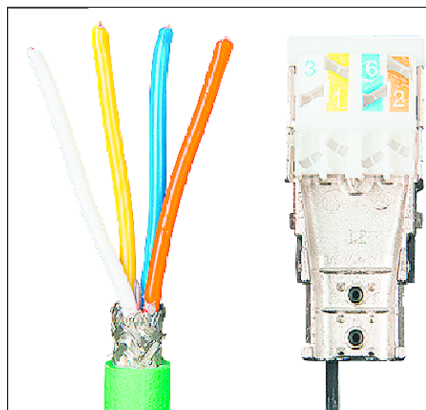


Illustrations

Dimensional drawing



Wiring



PIN Nr. / No.	Profinet
1	YE
2	OG
3	WH
4	-
5	-
6	BU
7	-
8	-