

Data sheet

E-DAT Industry IP67 V6 EbK with mounting kit

Page 1/4

P/N

1309413303-E

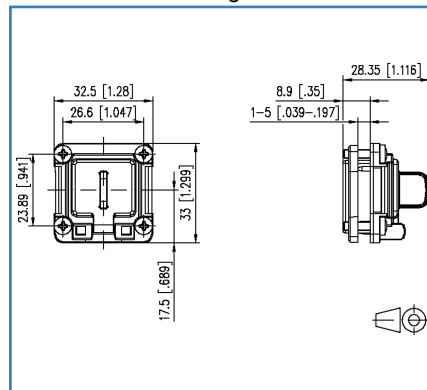
EAN 4250184106562

2017-03-03

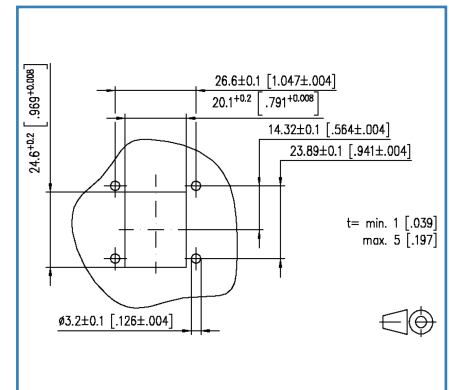
Illustrations



Dimensional drawing



Cut-out



See enlarged drawings at the end of document

Product specification

- for mounting individual modules in Keystone design
- IP67 plug face pursuant to IEC 61076-3-106 (variant 6)
- connection of RJ45 plugs available on the market (no IP protection)
- easy mounting
- versions with and without solid counterplate made of zinc die-cast (also available as accessory)
- color: RAL 7035 (light gray)
- 13094130-E: mounting set consisting of solid counterplate with 4 screws
- not suited to E-DAT industry modules and couplers
- variants: with and without mounting set

Technical Data

General Data

Fields of application

Design **Flange housings**

Color **light gray**

Dimensions

Dimension (L x W x H) **28.35 x 32.50 x 33.00 mm**

Dimension (W x H) **1.28 x 1.299 in.**

Labeling option **on housing**

Connections/interfaces

Number of ports interface 2 **1**

Number of ports interface 2 equipped **0**

Protective housing interface 1 **V6**

Protective housing interface 2 **V6**

Module plug-in direction **straight**

Mechanical characteristics

Cut-out **Keystone**

Materials and material properties

Material - Protective housing **PA UL94 V0**

Material - Protective housing seal **HNBR (hydrogenated acrylonitrile butadiene rubber)**

Material - Profile seal **NBR (nitrile butadiene rubber)**

Material - Protective housing screw(s) **stainless steel**

Material - Protective cap **PA UL94 V0**

Material - Mounting frame **GD-Zn (zinc die-cast)**

Environmental conditions

Temperature (min. - max.)

Temperature - Storage °C **-40 - 70 °C**

Temperature - Storage °F **-40 - 158 °F**

Temperature - Operating °C **-40 - 70 °C**

Temperature - Operating °F **-40 - 158 °F**

Particulate ingress **IP6X**

Liquid ingress/immersion **IPX7**

Rapid change of temperature **-40°C / -40°F - +70°C / 158°F / 25 cycles t=30 min**



Technical Data

Environmental conditions

Damp heat	+25°C / +77°F / +65°C / +149°F / 93% RH // -10°C / -14°F 21 cycles
-----------	--

Approvals

RoHS	compliant
UL listed (file no.)	DUXR.E178484

The product meets the following standards

Expansion of Communication Circuit Accessories (DUXR) Category	UL 1863
Degrees of Protection Provided by Enclosures	IEC 60529
Connectors for electronic equipment	
Rectangular connectors	DIN EN 61076-3-106

Classifications

ETIM 5.0	EC002597
ETIM 6.0	EC002597

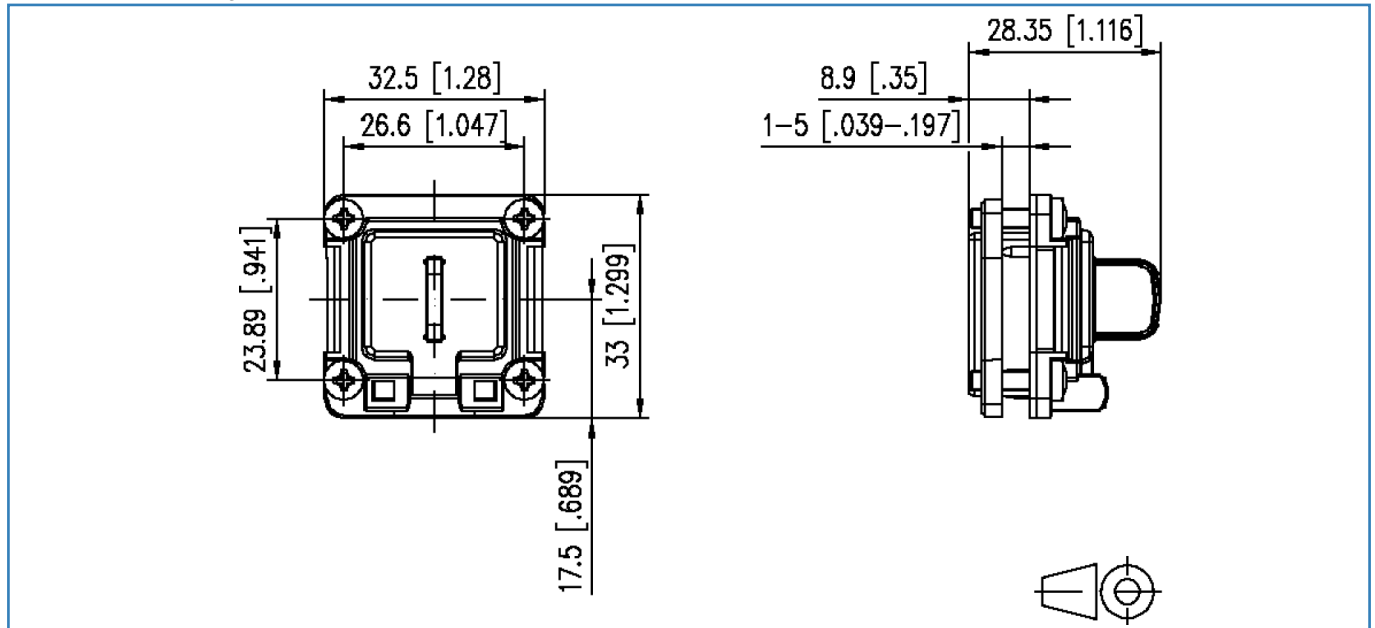
Packing details

Type of packaging	10 pc(s) / box
Packaging unit - Weight (gram)	314.00 g
Packaging unit - Weight (pound)	0.69 lb
Packaging dimension (W x H x D)	247.00 x 161.00 x 58.00 mm
Packaging dimension (W x H x D)	9.724 x 6.339 x 2.283 in.



Illustrations

Dimensional drawing



Cut-out

