

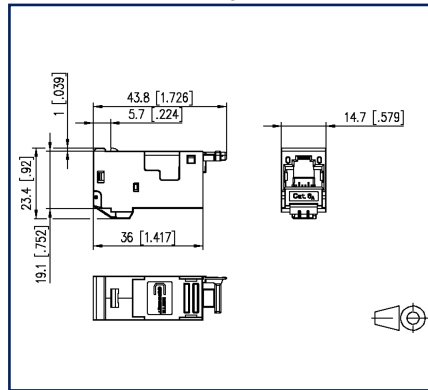
## Data sheet

### E-DAT modul Cat.6<sub>A</sub> 8(8) jack

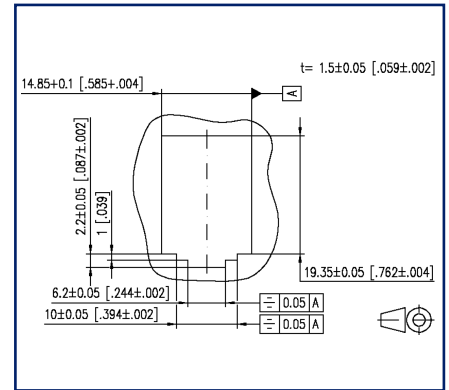
## Illustrations



Dimensional drawing



Cut-out



See enlarged drawings at the end of document

## Product specification

- modular termination unit Cat.6<sub>A</sub>, RJ45
- Cat.6<sub>A</sub> component test according to ISO/IEC 11801, DIN EN 50173-1, ANSI/TIA-568.2-D and IEC 60603-7-51, GHMT certified
- compliance with class E<sub>A</sub> according to ISO/IEC 11801, DIN EN 50173-1
- tested: Link up to 500 MHz
- suitable for 10 GBit Ethernet (IEEE 802.3an), Remote Powering (PoE, PoE plus, UPoE and 4PPoE) and HDBaseT
- easy to install connection of 2 to 4 pair data lines
- AWG 26/1 - 22/1 and stranded wires with 7 copper conductors AWG 26/7 - 22/7 to BTR 8-fold insulation displacement connectors (IDC)
- marking of conductor assignment to T568A and T568B
- easy and fast insertion of wire pairs in E-DAT modul stuffer cap
- module housing made of refined zinc die-casting
- mounting without special tools
- strain relief with cable tie at the module
- dust cover amounting option
- mounting version: Modul
- cable feed 180°
- delivery in a 10-piece set, available separately

# P | Cabling

Data sheet

Page 2/12

## E-DAT modul Cat.6<sub>A</sub> 8(8) jack

P/N  
130910-I

EAN 4250184105473

2023/05/09

Version: BE

### Technical Data

#### General Data

Fields of application	office areas data center
Mechanical measurement according to MICE	M1
Ingress measurement according to MICE	I1
Climatic measurement according to MICE	C1
Electromagnetic measurement according to MICE	E2
Design	Jack
Shielding	shielded
Transmission technology	Copper
Wiring	T568A and T568B
Color	metallike
Dimensions	
Dimension (L x W x H)	43.85 mm x 14.7 mm x 22.4 mm
Dimension (L x W x H)	1.726 in. x 0.579 in. x 0.882 in.
Weight	41.3 g
Weight	0.0911 lb
Modularity	yes
Field assembly ability	yes
Labeling option	on housing

#### Transmission characteristics

Category (ISO)	6 <sub>A</sub>
Class (ISO/IEC)	E <sub>A</sub>
Category (TIA)	6A
Remote Powering	yes
PoE	IEEE 802.3af
PoE plus	IEEE 802.3at
UPoE	yes
4PPoE	IEEE 802.3bt
HDBaseT	yes
Transmission rate up to 10 GBit	IEEE 802.3an



### Technical Data

Connections/interfaces	
Connector technology interface 1	IDC-connection
Connector technology interface 2	RJ45-jack
Number of ports interface 2	1
Number of ports interface 2 equipped	1
Number of positions/contacts interface 1	8
Number of positions/contacts interface 2	8P/8C
Termination data, solid wire (min. - max.)	
Conductor cross section, solid wire	AWG 26/1 - AWG 22/1
Conductor cross section, solid wire	0.128 mm <sup>2</sup> - 0.324 mm <sup>2</sup>
Conductor diameter, solid wire (bare copper)	0.409 mm - 0.643 mm
Conductor diameter, solid wire (bare copper)	0.016 in. - 0.025 in.
Termination data, stranded wire (min. - max.)	
Conductor cross section, stranded wire	AWG 26/7 - AWG 22/7
Conductor cross section, stranded wire	0.141 mm <sup>2</sup> - 0.355 mm <sup>2</sup>
Conductor diameter, stranded wire (bare copper)	0.483 mm - 0.762 mm
Conductor diameter, stranded wire (bare copper)	0.019 in. - 0.03 in.
Cable sheath diameter (min. - max.)	
Cable sheath diameter	5.5 mm - 10.00
Cable sheath diameter	0.197 in. - 0.394
Cable access/outlet	180°
Shield connection	flexible contact spring

Electrical characteristics	
Current carrying capacity	max. 1 A
Rated voltage	max. 50 V
Contact resistance	max. 20 mOhm
Through resistance	max. 200 mOhm
Insulation resistance	min. 500 MOhm
Dielectric strength conductor-conductor (secondary)	min. 1000 V DC

# P | Cabling

Data sheet

Page 4/12

## E-DAT modul Cat.6<sub>A</sub> 8(8) jack

P/N  
130910-I

EAN 4250184105473

2023/05/09

Version: BE

### Technical Data

#### Mechanical data

Cut-out	module
Mounting method	snap-in function
Insertion and withdrawal force	max. 20 N
Position/mounting of latch standard installation position	top
strain relief	with cable tie, attached to module

#### Materials and material properties

Material - Housing	GD-Zn (zinc die-cast)
Material - Insulation displacement contacts	CuSn (tin bronze)
Material - Finish of insulation displacement contacts	Sn (tin)
Material - Contact	Spring steel
Material - Contact finish	Ni + Au (nickel-gold)
Material - Contact carriers	PA 6.6
Halogen free	yes
Material - Finish	Ni (nickel)
RoHS	compliant

#### Environmental conditions

Temperature (min. - max.)	
Temperature - Storage °C	-40 °C - 70 °C
Temperature - Storage °F	-40 °F - 158 °F
Temperature - Operating °C	-40 °C - 70 °C
Temperature - Operating °F	-40 °F - 158 °F

#### Certifications

GHMT Type Approval



Component

# P | Cabling

Data sheet

Page 5/12

## E-DAT modul Cat.6<sub>A</sub> 8(8) jack

P/N  
130910-I

EAN 4250184105473

2023/05/09

Version: BE

### Technical Data

#### Approvals

UL listed (file no.)



DUXR.E178484

#### Standards/Regulations

##### Generic cabling systems

General requirements	ISO/IEC 11801-1:2017-11   DIN EN 50173-1:2018-10 ANSI/TIA-568-C
Office buildings	ISO/IEC 11801-2:2017-11   DIN EN 50173-2:2018-10 ANSI/TIA-568-C
Industrial area	ISO/IEC 11801-3:2017-11   DIN EN 50173-3:2018-10
Living units	ISO/IEC 11801-4:2017-11   DIN EN 50173-4:2018-10 ANSI/TIA-570-B
Data centers	ISO/IEC 11801-5:2017-11   DIN EN 50173-5:2018-10 ANSI/TIA-942-B
Distributed building services	ISO/IEC 11801-6:2017-11   DIN EN 50173-6:2018-10

##### Connectors for electronic equipment

Free and fixed connectors DIN EN 60603-7-51:2011-01

##### Connectors for electronic equipment - Tests and measurements

Test standard for connectors (engaging and separating connectors under electrical load) DIN-EN 60512-99-001, DIN-EN 60512-99-002

Endurance tests IEC 60512-9-3: 03-2009

##### Emission proof

Climate tests IEC 60512-11

#### Classifications

ETIM 5.0	EC001121
ETIM 6.0	EC001121
ETIM 7.0	EC001121
ETIM 8.0	EC001121
ETIM 9.0	EC001121

# P | Cabling

Data sheet

Page 6/12

## E-DAT modul Cat.6<sub>A</sub> 8(8) jack

P/N

130910-I

EAN 4250184105473

2023/05/09

Version: BE

### Technical Data

#### Packing details

Type of packaging	10 pc(s) / box
Packaging unit - Weight (gram)	413 g
Packaging unit - Weight (pound)	0.91 lb
Packaging dimension	258 mm x 164 mm x 51 mm
Packaging dimension	10.157 in. x 6.457 in. x 2.008 in.

# P | Cabling

Data sheet

Page 7/12

## E-DAT modul Cat.6<sub>A</sub> 8(8) jack

P/N

130910-I

EAN 4250184105473

2023/05/09

Version: BE

### Accessories

P/N	Designation
820032-0102-I	Dust protection cover for C6 <sub>A</sub> modul pure white
820032-0103-I	Dust protection cover for C6 <sub>A</sub> modul light gray
820032-0105-I	Dust protection cover for C6 <sub>A</sub> modul yellow
820032-0106-I	Dust protection cover for C6 <sub>A</sub> modul blue
820032-0107-I	Dust protection cover for C6 <sub>A</sub> modul green
820032-0108-I	Dust protection cover for C6 <sub>A</sub> modul red
820032-0129-I	Dust protection cover for C6 <sub>A</sub> modul black



# P | Cabling

Data sheet

Page 8/12

## E-DAT modul Cat.6<sub>A</sub> 8(8) jack

P/N  
130910-I

EAN 4250184105473

2023/05/09

Version: BE

### Accessories from

P/N	Designation
130861-0202-E	Modul surface mount housing 2 port pure white, unequipped
130861-0302-E	Modul surface mount housing 3 port pure white, unequipped
130861-0402-E	Modul surface mount housing 4 port pure white, unequipped
130861-0602-E	Modul surface mount housing 6 port pure white, unequipped
130861-0802-E	Modul surface mount housing 8 port pure white, unequipped
130861-1202-E	Modul surface mount housing 12 port pure white, unequipped
130861-1602-E	Modul surface mount housing 16 port pure white, unequipped
130861-2402-E	Modul surface mount housing 2x12 port pure white, unequipped
1309107003-E	REGplus IP20 E-DAT modul
1309140001-E	Modul wall outlet AP 1 port pearl white unequipped
1309140002-E	Modul wall outlet surface mounted 1 port unequipped pure white
1309141001-E	Modul wall outlet UP 1 port pearl white unequipped
1309141002-E	Modul wall outlet flush mounted 1 port unequipped pure white
1309141101-E	Modul wall outlet UPk 1 port pearl white unequipped
1309141102-E	Modul wall outlet flush mounted trunking installation 1 port unequipped pure white
1309141200-E	Modul wall outlet flush mounted without cover 3 port unequipped
1309150001-E	Modul wall outlet AP 2 port pearl white unequipped
1309150102-E	Modul wall outlet surface mounted flat 2 port unequipped pure white
1309151001-E	Modul wall outlet UP 2 port pearl white unequipped
1309151002-E	Modul wall outlet flush mounted 2 port unequipped pure white
1309151101-E	Modul wall outlet UPk 2 port pearl white unequipped
1309151102-E	Modul wall outlet flush mounted trunking installation 2 port unequipped pure white
1309151200-E	Modul wall outlet flush mounted without cover 2 port unequipped
1309160001-E	Modul wall outlet AP 3 port pearl white unequipped
1309160002-E	Modul wall outlet surface mounted 3 port unequipped pure white
1309161001-E	Modul wall outlet UP 3 port pearl white unequipped
1309161002-E	Modul wall outlet flush mounted 3 port unequipped pure white



# P | Cabling

Data sheet

Page 9/12

## E-DAT modul Cat.6<sub>A</sub> 8(8) jack

P/N  
130910-I

EAN 4250184105473

2023/05/09

Version: BE

### Accessories from

1309161101-E	Modul wall outlet UPk 3 port pearl white unequipped
1309161102-E	Modul wall outlet flush mounted trunking installation 3 port unequipped pure white
130920-00-E	Modul 19 inch module frame 1RU 24 Port light gray unequipped, shielded
130920-BK-E	Modul 19 inch module frame 1RU 24 port black unequipped, shielded
130920-E	E-DAT modul 24x8(8) 1RU patch panel Cat.6 <sub>A</sub> , light gray
130921-00-E	Modul 19 inch module frame 1RU 24 port stainless steel unequipped
130921-E	E-DAT modul 24x8(8) 1RU patch panel Cat.6 <sub>A</sub> , stainless steel
130922-00-E	6 port module frame 1RU
130922-02-E	E-DAT modul 6x8(8) 3RU patch panel Cat.6 <sub>A</sub>
130922-03-E	E-DAT modul 6x8(8) for 1RU patch panel Cat.6 <sub>A</sub>
130924-00-E	Modul 19 inch module frame 1.5RU 48 port stainless steel unequipped
130924-E	E-DAT modul 48x8(8) 1.5RU patch panel Cat.6 <sub>A</sub> , stainless steel
130927-1200-E	SmartConnect Patchpanel 12 ports MC module
130927-1600-E	SmartConnect Patchpanel 16 ports MC module
130927-2400-E	SmartConnect Patchpanel 24 ports MC module
1309350301-E	Subway underfloor unit GB2 Modul 3 port unequipped pearl white
1309350601-E	Subway underfloor unit GB2 Modul 6 port unequipped pearl white
1309350901-E	Subway underfloor unit GB2 Modul 9 port unequipped pearl white
1309360301-E	Subway underfloor unit GB3 Modul 3 port unequipped pearl white
1309360601-E	Subway underfloor unit GB3 Modul 6 port unequipped pearl white
1309360901-E	Subway underfloor unit GB3 Modul 9 port unequipped pearl white
1309361201-E	Subway underfloor unit GB3 Modul 12 port unequipped pearl white
1309413003-E	E-DAT Industry IP67 V6 for MC module
1309413203-E	E-DAT Industry IP67 V6 for MC module with mounting kit
1309426003-E	E-DAT modul REG 1 port IP20 light gray
1309427103-E	Modul REGplus IP20 light gray unequipped
1309430003-E	E-DAT modul IP44 surface mounted housing unequipped

### Accessories from

1309460003-I	Modul IP44SG surface mounted housing unequipped
1309461002-I	E-DAT modul IP44SG flush mounted housing pure white unequipped
1309461003-I	E-DAT modul IP44SG flush mounted housing gray unequipped
1309A07003-E	REGplus IP20 E-DAT modul coupler 180°
1309A17003-E	REGplus IP20 E-DAT modul coupler 90°
130B10D10002-E	Modul wall outlet surface mounted 1 port unequipped pure white 43 mm
130B10D20002-E	Modul wall outlet surface mounted 2 port unequipped pure white 43 mm
130B10D30002-E	Modul wall outlet surface mounted 3 port unequipped pure white 43 mm
130B10E2E-E	Modul module frame 3RU, 7HP 6 port stainless steel unequipped
130B117003-E	REGplus IP20 C6 <sub>A</sub> modul 180°M
130B11P0-E	C6 <sub>A</sub> modul 24 port 180°M 1RU
130B11P1-E	C6 <sub>A</sub> modul 24 port 180°M 1RU stainless steel
130B11P4-E	C6 <sub>A</sub> modul 48 port 180°M 1.5RU stainless steel
130B127003-E	REGplus IP20 C6 <sub>A</sub> modul 270°M
130D2CBU4-E	DCCS2 subassembly 4 port unequipped
14040000-E	MCO IP69k protective housing for outdoor use, set for exposed installation
14040010-E	MCO IP69k Protective housing for outdoor use, set with mounting bracket
14040100-E	MCO IP69k Protective housing for outdoor use, set wall/ housing bushing
1503600RJ00-B	OpDAT MV hybrid 12xmodule cutouts unequipped IP65
1503600RJ00-E	OpDAT MV hybrid 12xmodule cutouts unequipped IP54
15036ZRJ00-E	OpDAT MV patch panel 12xmodule cutouts unequipped



# P | Cabling

Data sheet

Page 11/12

## E-DAT modul Cat.6<sub>A</sub> 8(8) jack

P/N  
130910-I

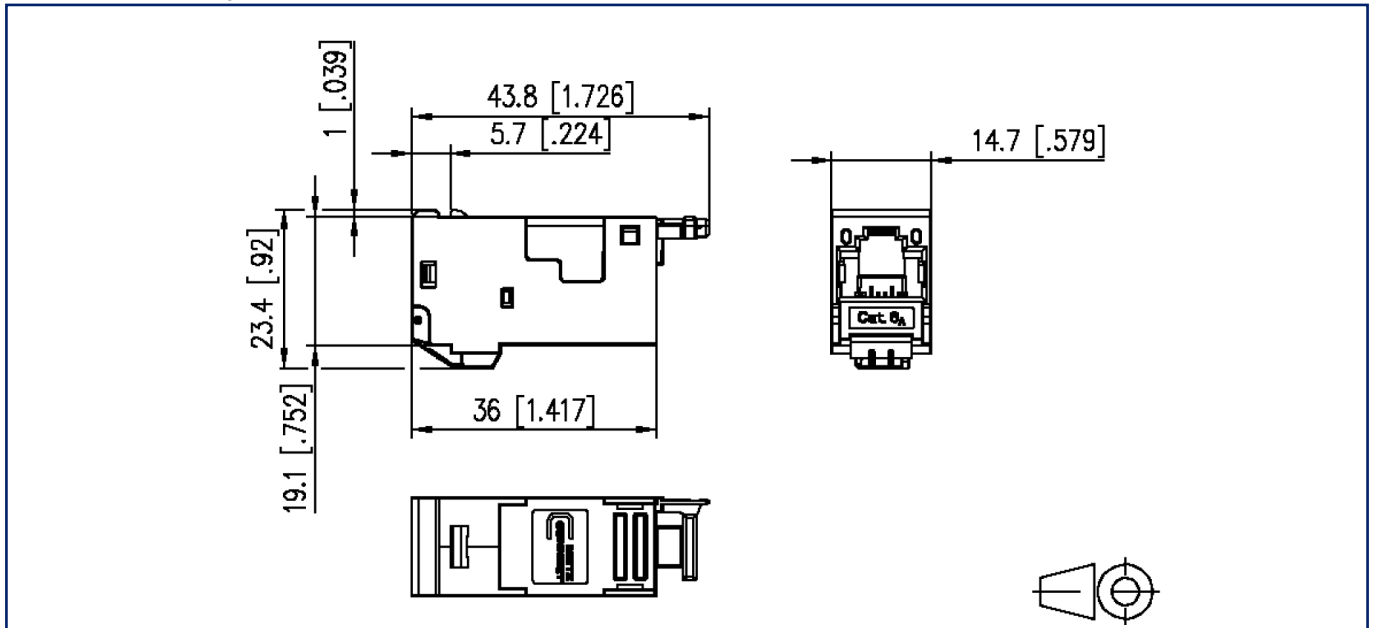
EAN 4250184105473

2023/05/09

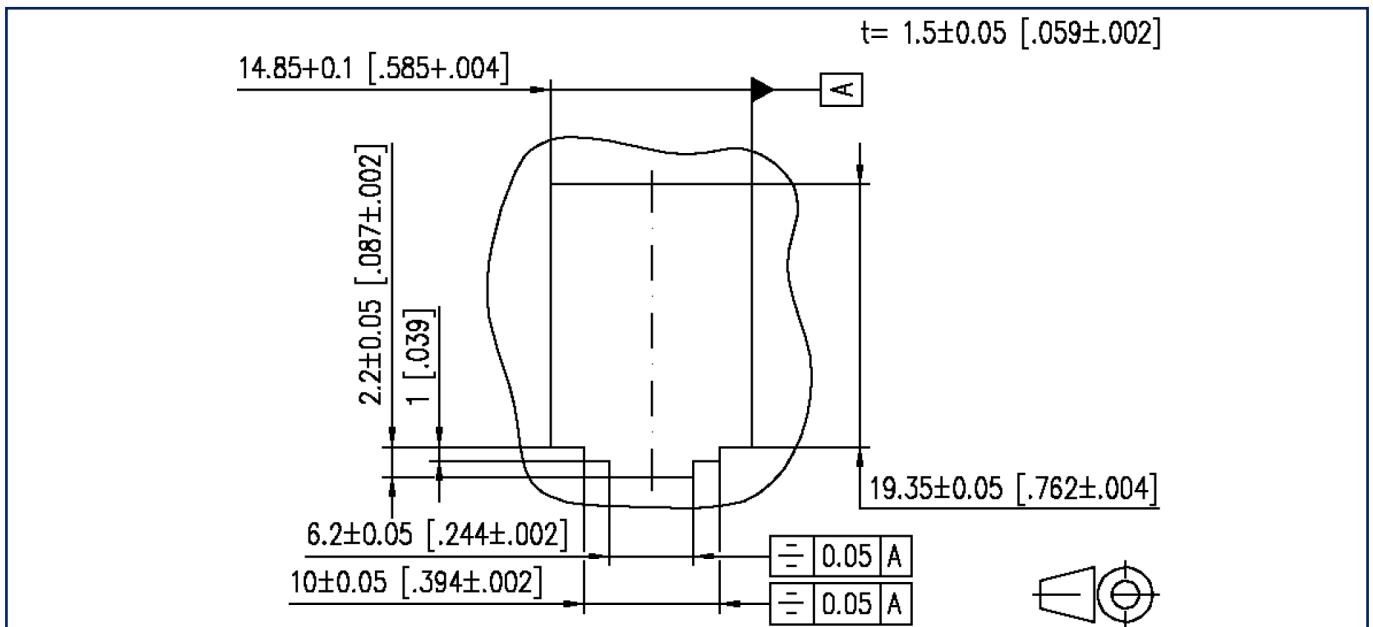
Version: BE

### Illustrations

Dimensional drawing



Cut-out



# P | Cabling

Data sheet

## E-DAT modul Cat.6A 8(8) jack

Page 12/12

P/N

130910-I

EAN 4250184105473

2023/05/09

Version: BE

### Illustrations

Wiring diagram

