

Data sheet

Cable connector class E_A 360°

Page 1/7

P/N
130863-06-E

EAN 4251394608129

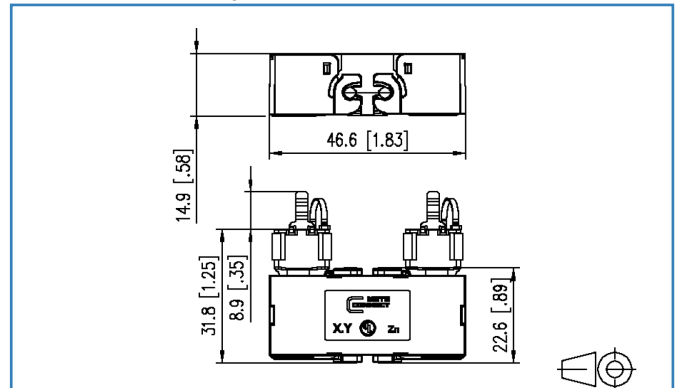
2019/09/13

Version: A

Illustrations



Dimensional drawing



See enlarged drawings at the end of document



Product specification

- Cable connector for field assembly Class E_A for 8 wire cables (optionally also for 4 wire cables)
- Cable feed angled return 360°
- to connect / extend / repair / relocate copper data cables up to Cat.7_A
- in combination with Cat. 6_A or higher copper cables, class E_A up to 500 MHz according to ISO/IEC 11801, DIN EN 50173 is fulfilled
- suitable for 10Gbit Ethernet (IEEE 802.3an), Remote Powering (PoE, PoE plus, UPoE and 4PPoE), HDBaseT, SAT-IP and AVoverIP
- Compact design, length 46.6 mm x width 14.7 mm x height 31.8 mm
- solid, one-piece and reusable housing refined with zinc die-casting
- simplest confection - mounting without special tools, strain relief via snap-in clip directly on the loading piece
- intelligent cable management in stuffer cap - also suitable for heavily twisted cables
- shield connection and strain relief integrated
- conductor assignment to T568A and T568B is directly printed on the stuffer cap
- Simple extension or relocation of existing infrastructure C6_A modul through reusable loading pieces
- easy connection of data cables AWG 26/1 to 22/1 (solid wire) and AWG 26/7 to 22/7 (stranded wire) to insulation displacement connectors (IDC)
- solid copper wire diameter 0.409 to 0.643 mm
- stranded copper wire diameter 0.483 to 0.762 mm
- suitable for cables with an overall diameter of 5.5 to 10 mm
- fully shielded version according to DIN EN 50173



Technical Data

General Data

Fields of application	Structured building cabling, Industrial Ethernet, Office Harsh environment, Data center, Distributed building services
Design	cable connector
Shielding	shielded
Transmission technology	Copper
Wiring	T568A, T568B
Color	metallike
Dimensions	
Dimension (L x W x H)	46.6 mm x 14.7 mm x 33.44 mm
Dimension (L x W x H)	1.83 in. x 0.58 in. x 1.32 in.
Field assembly ability	yes

Transmission characteristics

Class (ISO/IEC)	E _A
Remote Powering	yes
PoE	IEEE 802.3af
PoE plus	IEEE 802.3at
UPoE	yes
4PPoE	IEEE 802.3bt
HDBaseT	yes
Transmission rate up to 10 GBit	IEEE 802.3an

Connections/interfaces

Connector technology interface 1	IDC-connection
Connector technology interface 2	IDC-connection
Number of positions/contacts interface 1	8
Number of positions/contacts interface 2	8
Termination data, solid wire (min. - max.)	
Conductor cross section, solid wire	AWG 26/1 - AWG 22/1
Conductor cross section, solid wire	0.128 mm ² - 0.324 mm ²
Conductor diameter, solid wire (bare copper)	0.409 mm - 0.643 mm
Conductor diameter, solid wire (bare copper)	0.016 in. - 0.025 in.



Technical Data

Connections/interfaces

Termination data, stranded wire (min. - max.)

Conductor cross section, stranded wire	AWG 26/7 - AWG 22/7
Conductor cross section, stranded wire	0.141 mm ² - 0.355 mm ²
Conductor diameter, stranded wire (bare copper)	0.483 mm - 0.762 mm
Conductor diameter, stranded wire (bare copper)	0.019 in. - 0.03 in.

Core diameter (min. - max.)

Core diameter (conductor with insulation)	1.6 mm
Core diameter (conductor with insulation)	0.063 in.

Cable sheath diameter (min. - max.)

Cable sheath diameter	5.5 mm - 10.00 mm
Cable sheath diameter	0.197 in. - 0.394 in.

Cable access/outlet	360°
Reconnectibility	yes, if cross section is greater or the same
Ground connection	for cable plugs 2.8 mm/0.11 inch
Shield connection	flexible contact spring

Electrical characteristics

Current carrying capacity	max. 1 A
Rated voltage	max. 50 V
Contact resistance	max. 20 mOhm
Through resistance	max. 200 mOhm
Insulation resistance	min. 500 MOhm
Dielectric strength conductor-conductor (secondary)	max. 1000 V DC

Mechanical characteristics

strain relief	latching clip
---------------	---------------

Materials and material properties

Material - Housing	GD-Zn (zinc die-cast)
Material - Housing finish	Ni (nickel)
Material - Insulation displacement contacts	CuSn (tin bronze)
Material - Finish of insulation displacement contacts	Sn (tin)
Material - Shield	GD-Zn (zinc die-cast)
Material - Stuffer cap	PA 6.6 UL94 V0
Material - Strain relief	PA 6.6 UL94 V0



Technical Data

Materials and material properties

RoHS compliant

Environmental conditions

Temperature (min. - max.)

Temperature - Storage Å°C -40 °C - 70 °C

Temperature - Storage Å°F -40 °F - 158 °F

Temperature - Operating °C -40 °C - 70 °C


Temperature - Operating °F -40 °F - 158 °F

Particulate ingress IP2X

Liquid ingress/immersion IPX0

Approvals

CE compliant

UL listed (file no.)  DUXR.E178484

The product meets the following standards

Generic cabling systems

General requirements ISO/IEC 11801-1 | DIN EN 50173-1
ANSI/TIA-568-D

Office buildings ISO/IEC 11801-2 | DIN EN 50173-2
ANSI/TIA-568-D

Industrial area ISO/IEC 11801-3 | DIN EN 50173-3
ANSI/TIA-1005

Living units ISO/IEC 11801-4 | DIN EN 50173-4
ANSI/TIA-570

Data centers ISO/IEC 11801-5 | DIN EN 50173-5
ANSI/TIA-942

Distributed building services ISO/IEC 11801-6 | DIN EN 50173-6
ANSI/TIA-862

Application-specific communications cabling systems

Profinet yes

Expansion of Communication Circuit Accessories (DUXR) Category UL 1863

Industrial communication networks - Installation of IEC 61918

Data sheet

Page 5/7

Cable connector class E_A 360°

P/N

130863-06-E

EAN 4251394608129

2019/09/13

Version: A

Technical Data**Classifications**

ETIM 7.0

EC001121

© 2019 METZ CONNECT - Technische Änderungen vorbehalten! Subject to modifications! Sous réserve de modifications techniques!



Accessories

P/N	Designation
130863T101E	Click & fix 19 inch frame for cable connector 1RU

© 2019 METZ CONNECT - Technische Änderungen vorbehalten! Subject to modifications! Sous réserve de modifications techniques!



Illustrations

Dimensional drawing

