

Data sheet

Cat.7 cable connector

Page 1/5

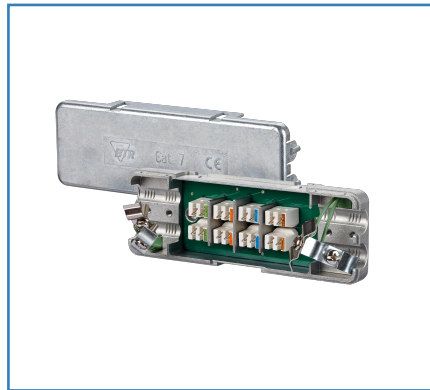
P/N
130863-E

EAN 4250184104193

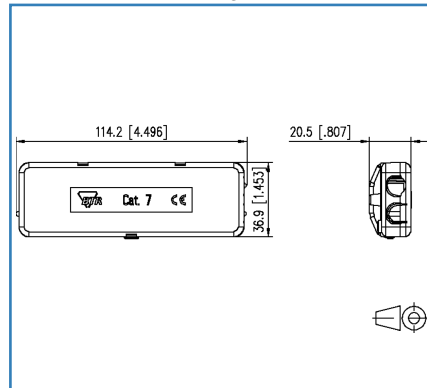
2020/03/06

Version: AC

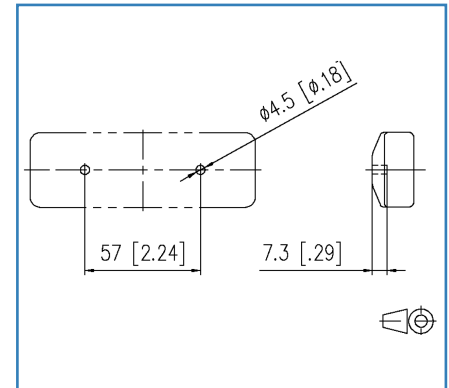
Illustrations



Dimensional drawing



Cut-out



See enlarged drawings at the end of document

Product specification

- for connecting/extending data cables up to Cat.7_A
- class E_A to ISO/IEC 11801 Ed.2.2:2011-06 is complied with in combination with Cat.6, Cat.6_A, Cat.7 and Cat.7_A cables and Cat.6 connectors
- connection of data lines AWG 26/1 to 22/1 (solid wire)
- cable feed from one or two sides
- cable sharing, i.e. splitting one 8-wire cable into two 4-wire cables (one cable tie required each on input and output side)
- fully shielded metal housing
- strain relief and separate captive 360° shield connection
- 2 bore holes for wall mounting
- IP67 protection due to special shrink tube

Data sheet Cat.7 cable connector

Page 2/5

P/N

130863-E

EAN 4250184104193

2020/03/06

Version: AC

Technical Data

General Data	
Design	cable connector
Shielding	shielded
Transmission technology	Copper
Color	metallike
Dimensions	
Dimension (L x W x H)	114.2 mm x 20.5 mm x 36.9 mm
Dimension (L x W x H)	4.496 in. x 0.807 in. x 1.453 in.
Transmission characteristics	
Category (ISO)	7
Class (ISO/IEC)	E _A
Connections/interfaces	
Connector technology interface 1	LSA terminal block
Connector technology interface 2	LSA terminal block
Number of ports interface 1	1
Number of ports interface 2	1
Number of equipped ports interface 1	1
Number of ports interface 2 equipped	1
Termination data, solid wire (min. - max.)	
Conductor cross section, solid wire	AWG 26/1 - AWG 22/1
Conductor cross section, solid wire	0.128 mm ² - 0.324 mm ²
Conductor diameter, solid wire (bare copper)	0.409 mm - 0.643 mm
Conductor diameter, solid wire (bare copper)	0.016 in. - 0.025 in.
Cable sheath diameter (min. - max.)	
Cable sheath diameter	5.5 mm - 9.6
Cable sheath diameter	0.197 in. - 0.354
Cable access/outlet	from one or two sides
Reconnectibility	yes, if cross section is greater or the same
Electrical characteristics	
Rated voltage	60 V
Through resistance	max. 5 mOhm
Insulation resistance	min. 100 MOhm
Dielectric strength conductor-conductor (primarily)	750 V DC

Data sheet Cat.7 cable connector

Page 3/5

P/N

130863-E

EAN 4250184104193

2020/03/06

Version: AC

Technical Data

Mechanical data

Life - Number of mating cycles min. 100

Materials and material properties

Material - Housing GD-Zn (zinc die-cast)

Environmental conditions

Temperature (min. - max.)

Temperature - Storage °C -25 °C - 85 °C

Temperature - Storage °F -13 °F - 185 °F

Temperature - Operating °C -25 °C - 85 °C

Temperature - Operating °F -13 °F - 185 °F

Shock 490 m/s²

Classifications

ETIM 5.0 EC001121

ETIM 6.0 EC001121

ETIM 7.0 EC001121

Packing details

Type of packaging 1 pc(s) / plastic bag

Packaging unit - Weight (gram) 168 g

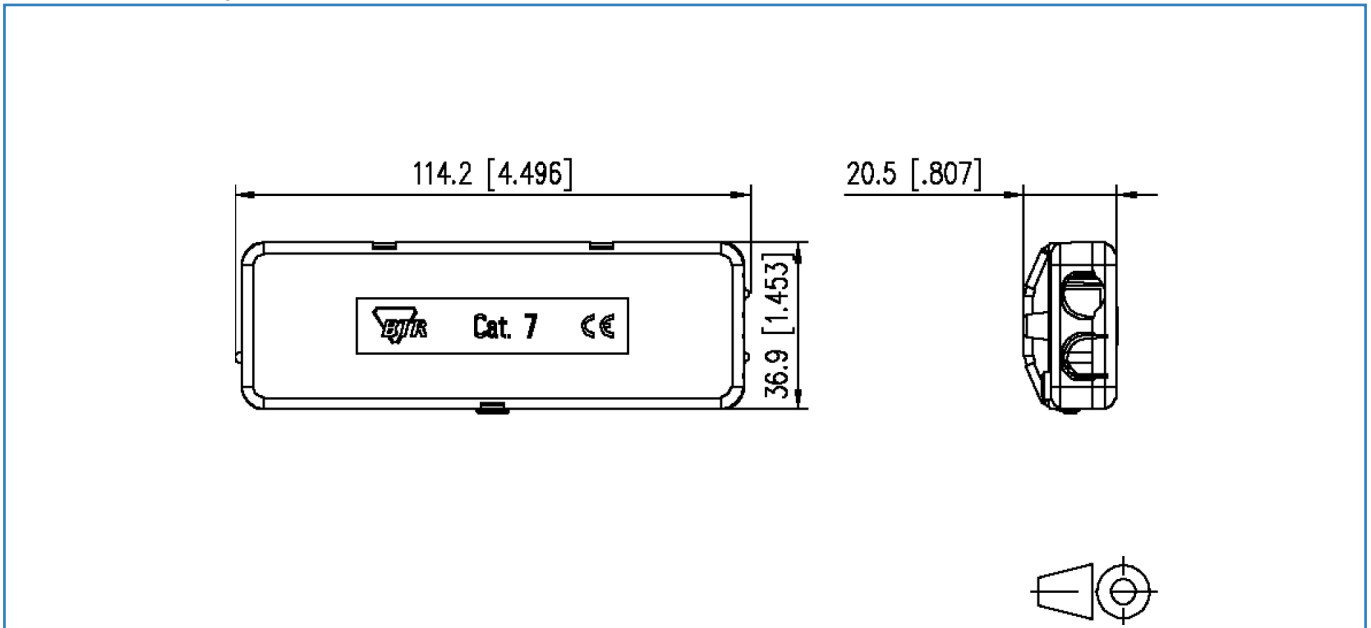
Packaging unit - Weight (pound) 0.37 lb

Packaging dimension (W x H x D) 160 mm x 100 mm x 380 mm

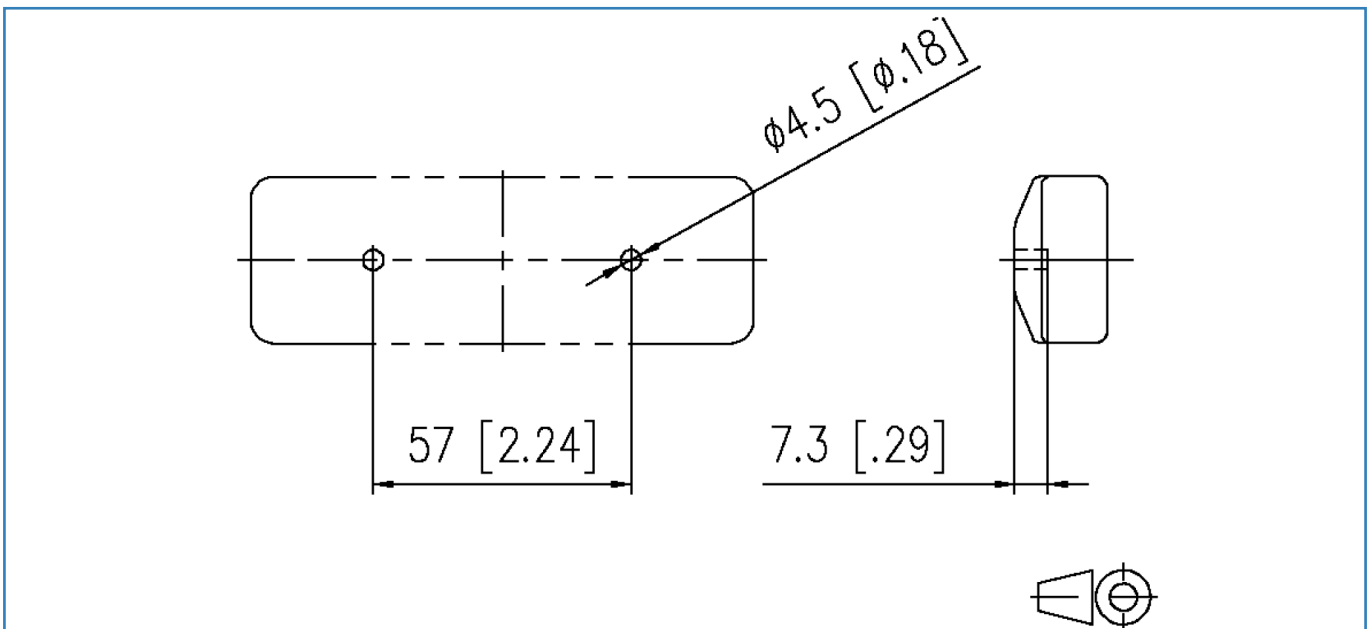
Packaging dimension (W x H x D) 6.299 in. x 3.937 in. x 14.961 in.

Illustrations

Dimensional drawing



Cut-out



P | Cabling

Data sheet

Cat.7 cable connector

Page 5/5

P/N
130863-E

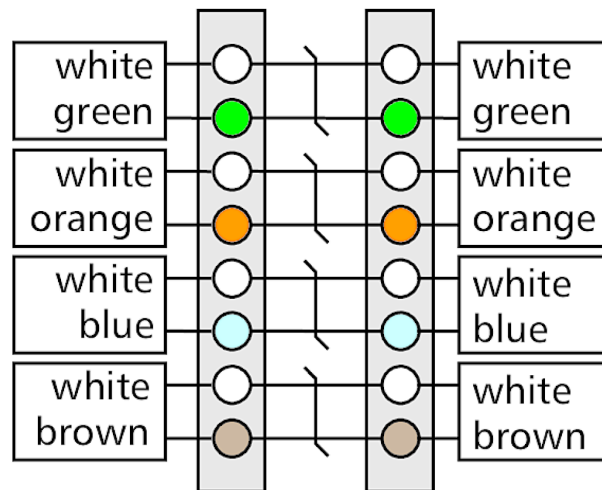
EAN 4250184104193

2020/03/06

Version: AC

Illustrations

Wiring



S ○ — shield connection

