

Data sheet

E-DAT C6 2 port UP0

Page 1/6

P/N

1307381200-I

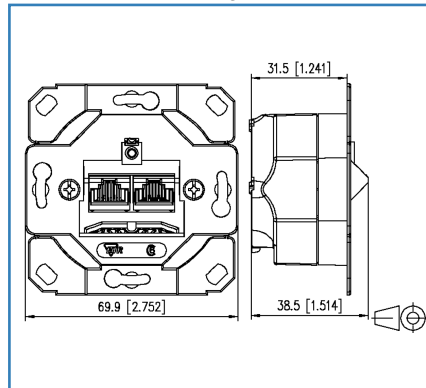
EAN 4250184102656

2018-07-06

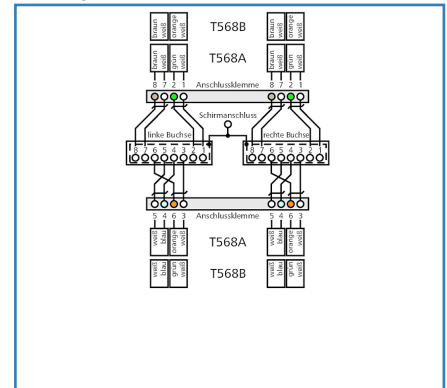
Illustrations



Dimensional drawing



Wiring



See enlarged drawings at the end of document

Product specification

- raceway termination unit with one or two 8-pole RJ45 jacks
- certified to GHMT Cat.6 12C-de-embedded
- compliance with class E_A Channel-Link acc. to ISO/IEC 11801-1, DIN EN 50173-1
- tested: Channel-Link up to 500 MHz
- 10 GBit/s Ethernet (IEEE 802.3an), Remote Powering (PoE, PoE plus, UPoE and 4PPoE) and HDBaseT suitable
- Alien Next optimized, shielded jacks
- screwing of the strain relief cover and shield connection from the front
- practical cable feed from 8 sides
- connection of data lines AWG 26/1 to 22/1 (solid wire)
- compatible with "design" central units of switch lines
- suitable for mounting in standard flush-mounted and cavity wall casings
- compatible with "design" central units of leading switch programs; reference list on our website
- variants: 1 port, 2 ports



Data sheet E-DAT C6 2 port UP0

Page 2/6

P/N
1307381200-I
EAN 4250184102656

2018-07-06

Technical Data

General Data

Fields of application	
Field of application	Office
Design	wall outlet
Shielding	shielded
Transmission technology	Copper
Color	metallike
Dimensions	
Dimension	38.5 mm x 69.9 mm x 69.9 mm
Dimension	1.516 in. x 2.752 in. x 2.752 in.

Transmission characteristics

Class (ISO/IEC)	EA
Remote Powering	yes
UPoE	yes
HDBaseT	yes

Connections/interfaces

Connector technology interface 1	LSA terminal block
Connector technology interface 2	RJ45-jack
Termination data, solid wire (min. - max.)	
Conductor cross section, solid wire	26/1 - 22/1
Conductor cross section, solid wire	0.128 mm ² - 0.324 mm ²
Conductor diameter, solid wire (bare copper)	0.409 mm - 0.643 mm
Conductor diameter, solid wire (bare copper)	0.016 in. - 0.025 in.
Module plug-in direction	45° downwards
Ground connection	2.8 mm flat plug
Shield connection	flexible contact spring

Elektrische/ Optische Eigenschaften

Current carrying capacity	1
Rated voltage	max. 50 V
Contact resistance	max. 20 mOhm
Through resistance	max. 200 mOhm
Insulation resistance	min. 500 mOhm
Dielectric strength conductor-conductor (secondary)	max. 1000 V DC



Data sheet E-DAT C6 2 port UP0

Page 3/6

P/N
1307381200-I
EAN 4250184102656

2018-07-06

Technical Data

Mechanical characteristics

Insertion and withdrawal force	max. 20 N
Position/mounting of latch - standard installation position	top

Materials and material properties

Material - Supporting frame	GD-Zn (zinc die-cast)
Material - Label window	ABS, transparent
Material - Contact	CuSn (tin bronze)
Material - Contact finish	Ni + Au (nickel-gold)
Material - Shield	GD-Zn (zinc die-cast)

Environmental conditions

Temperature (min. - max.)	
Temperature - Storage Â°C	-40 °C - 70 °C
Temperature - Storage Â°F	-40 °F - 158 °F
Temperature - Operating Â°C	-40 °C - 70 °C
Temperature - Operating Â°F	-40 °F - 158 °F
Electromagnetic measurement	E2

Certifications

GHMT Type Approval	Component (valid to: 03/2020)
--------------------	-------------------------------

Classifications

ETIM 5.0	EC001264
ETIM 6.0	EC001264

Packing details

Type of packaging	10 pc(s) / box
Packaging unit - Weight (gram)	1469 g
Packaging unit - Weight (pound)	3.24 lb
Packaging dimension	283 mm x 180 mm x 85 mm
Packaging dimension	11.142 in. x 7.087 in. x 3.346 in.

Accessories

P/N	Designation
130829-01-I	Surface mount frame 85 x 85 mm - Single, pearl white
130829-02-I	Surface mount frame 85 x 85 mm - Single, pure white
130829-4301-I	Surface mount frame 43x85x85 pearl white
130829-4302-I	Surface mount frame 43x85x85 pure white
1308895010-I	T-Slot Mounting Bracket for Wall Outlets - Horizontal Mounting 50 mm, without separation cup
1308895011-I	T-Slot Mounting Bracket for Wall Outlets - Horizontal Mounting 50 mm, with separation cup
1308895020-I	DIN Rail Mounting Bracket for Wall Outlets - Horizontal Mounting 50 mm, without separation cup
1308895021-I	DIN Rail Mounting Bracket for Wall Outlets - Horizontal Mounting 50 mm, with separation cup
1308895040-I	T-Slot mounting bracket for wall outlets - Vertical Mounting 50 mm, without separation cup
1308895041-I	T-Slot mounting bracket for wall outlets - Vertical Mounting 50 mm, with separation cup
1308895220-I	DIN Rail Mounting Bracket for Wall Outlets - Horizontal Mounting 52 mm, without separation cup
1308895221-I	DIN Rail Mounting Bracket for Wall Outlets - Horizontal Mounting 52 mm, with separation cup
1308895510-I	T-Slot Mounting Bracket for Wall Outlets - Horizontal Mounting 55 mm, without separation cup
1308895511-I	T-Slot Mounting Bracket for Wall Outlets - Horizontal Mounting 55 mm, with separation cup
1308895520-I	DIN Rail Mounting Bracket for Wall Outlets - Horizontal Mounting 55 mm, without separation cup
1308895521-I	DIN Rail Mounting Bracket for Wall Outlets - Horizontal Mounting 55 mm, with separation cup
1308895540-I	T-Slot mounting bracket for wall outlets - Vertical Mounting 55 mm, without separation cup
1308895541-I	T-Slot mounting bracket for wall outlets - Vertical Mounting 55 mm, with separation cup
130889ADTK-I	Mounting bracket ADTK for OBO
130889ADTSA-I	Mounting bracket ADTSA for OBO
130889FKH-I	Mounting bracket FR for Kleinhuis
130889FNI-I	Mounting bracket FR for Niedax
130889FTE-I	Mounting bracket FR for Tehalit
816718-0101-I	Cover plate 80 x 80 mm pearl white, E-DAT C6
816718-0102-I	Cover plate 80 x 80 mm pure white, E-DAT C6
820394-0105-I	Dust protection covers for wall outlets yellow
820394-0106-I	Dust protection covers for wall outlets blue



Data sheet
E-DAT C6 2 port UP0

Page 5/6

P/N
1307381200-I
EAN 4250184102656

2018-07-06

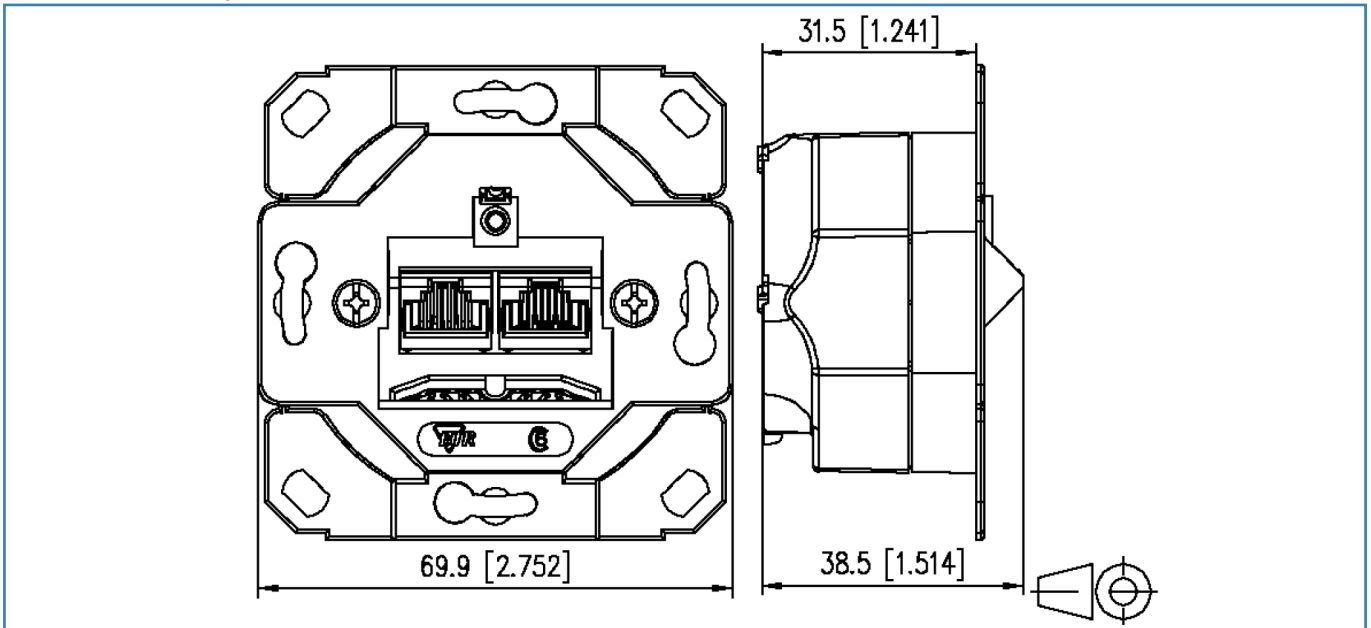
Accessories

820394-0107-I	Dust protection covers for wall outlets green
820394-0108-I	Dust protection covers for wall outlets red



Illustrations

Dimensional drawing



Wiring

